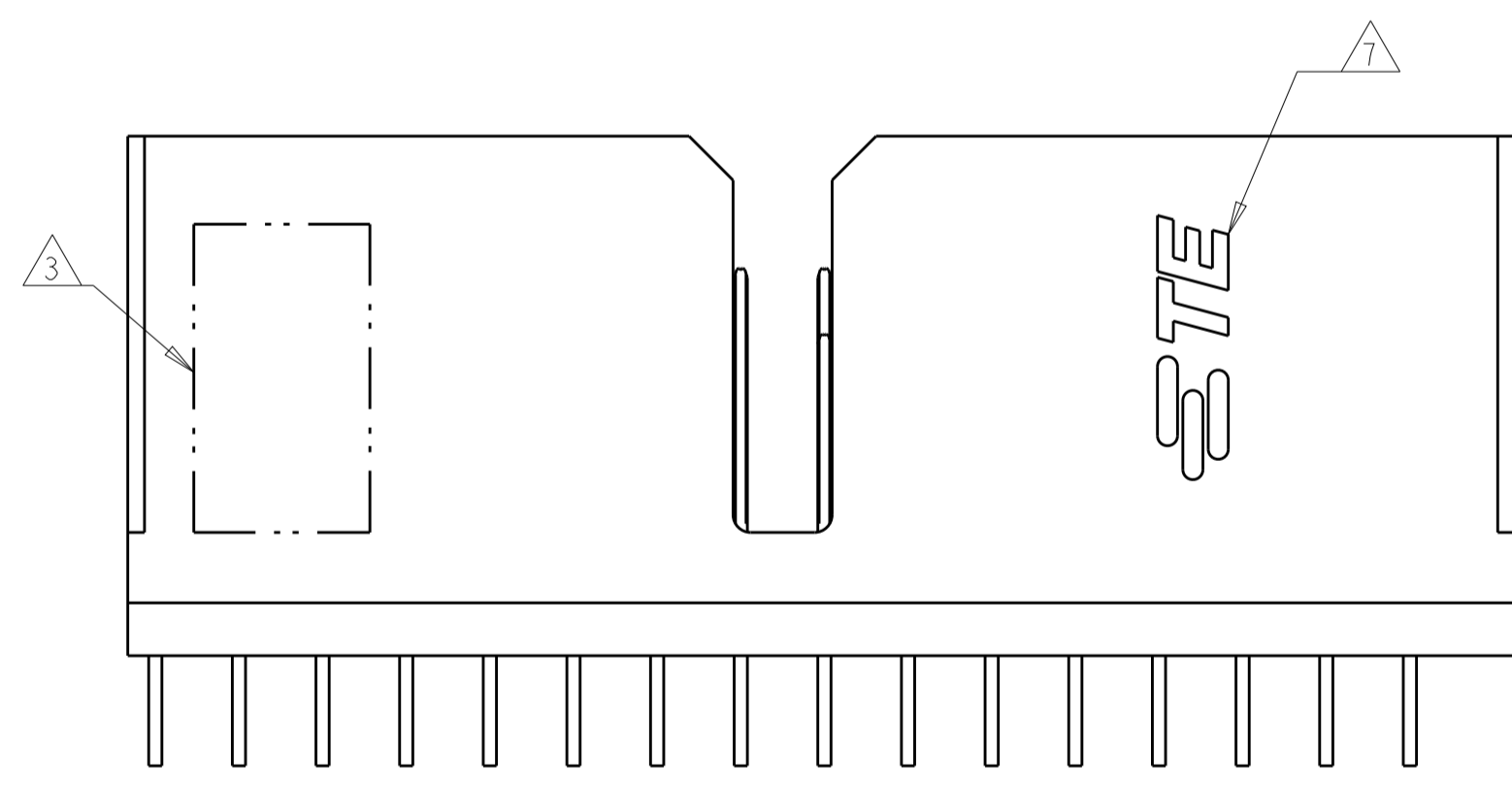
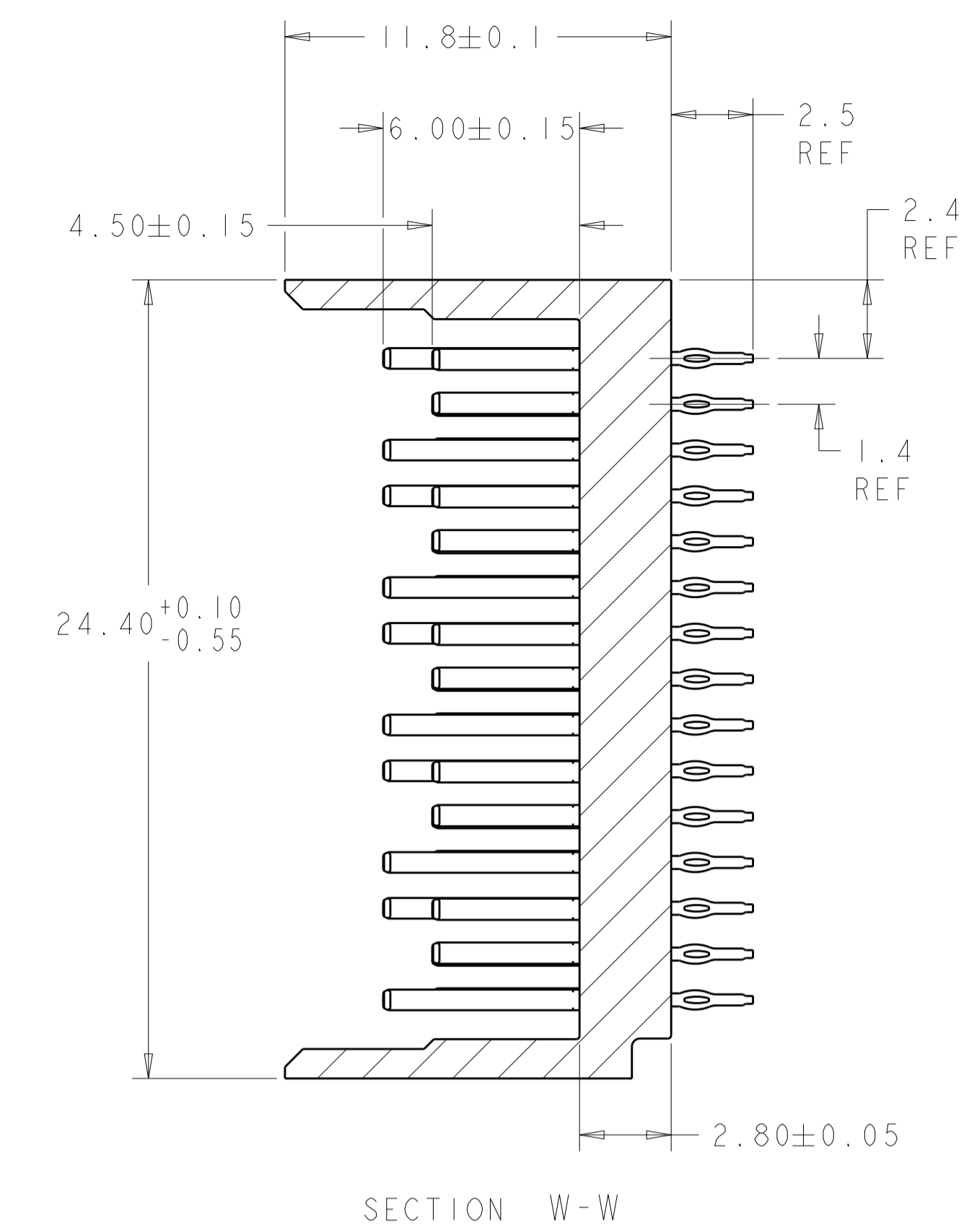
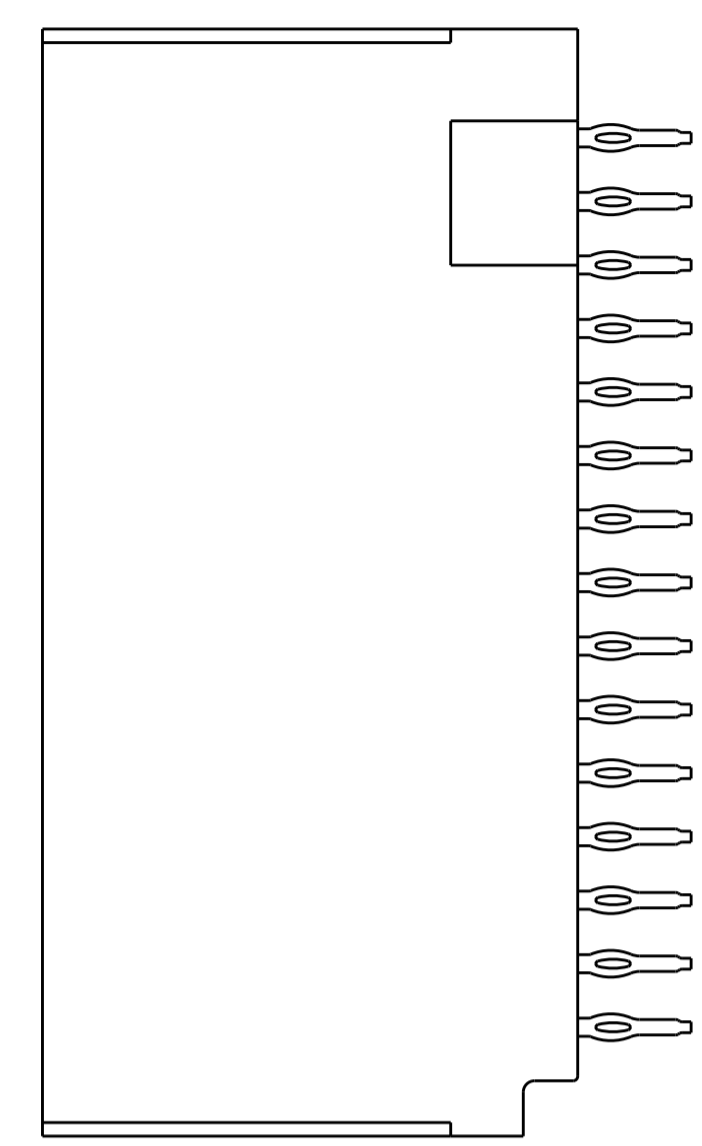
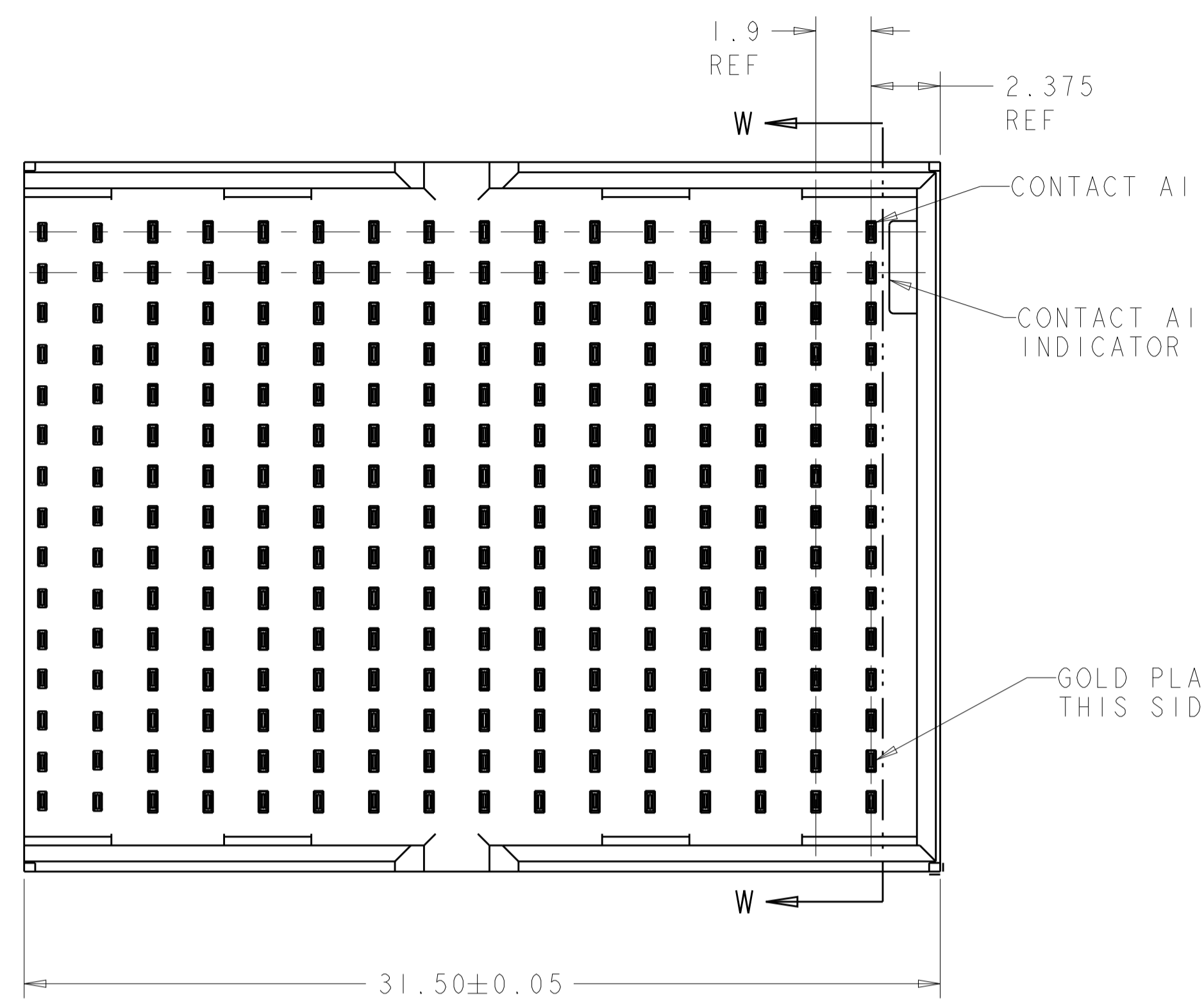
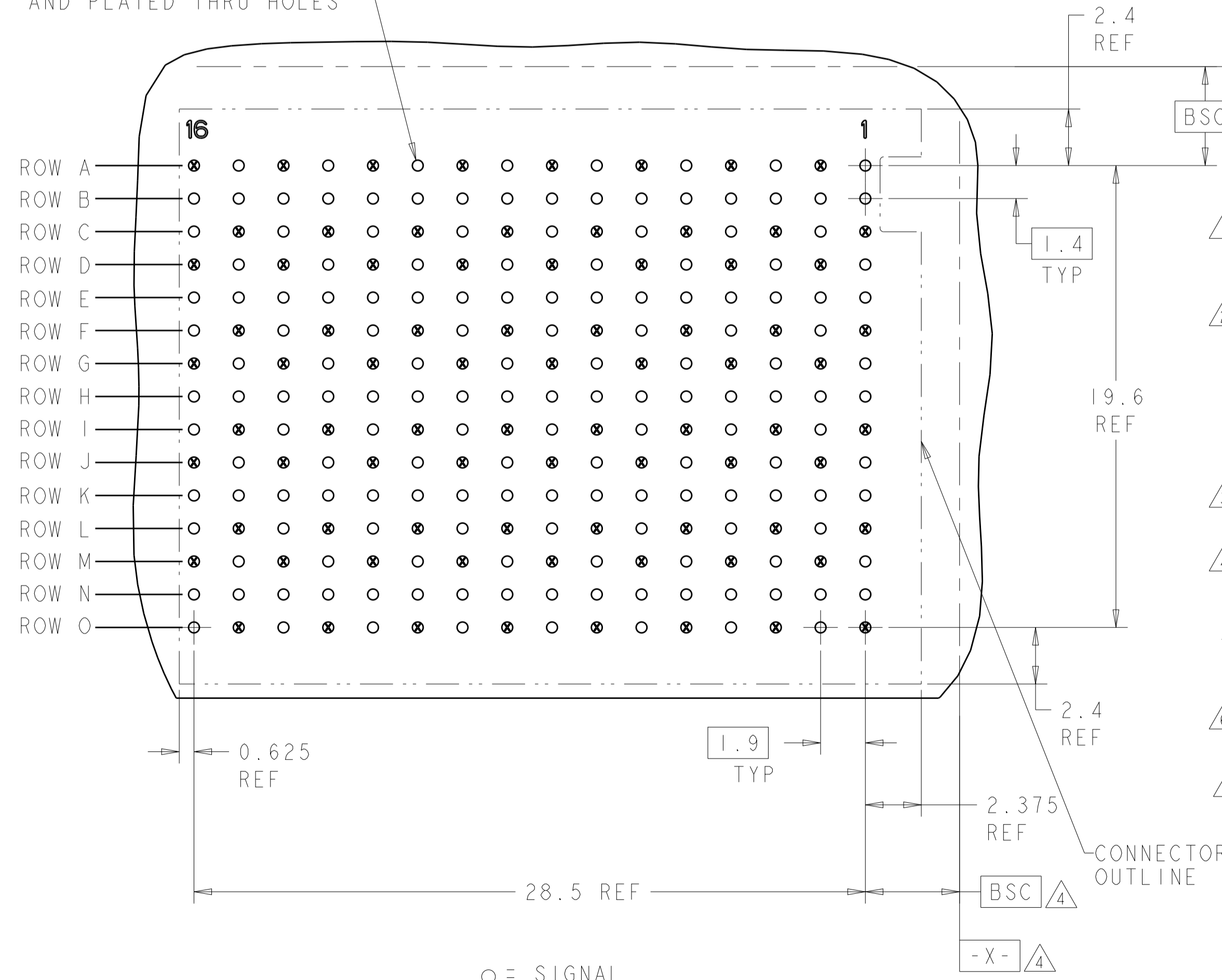


LOC		DIST		REVISIONS			
GP	00	P	LTN	DESCRIPTION	DATE	DWN	APVD
		F		REVISED PER ECO-13-010626	31JUL2013	KH	RP
		G		REVISED PER ECO-19-009248	04JUL2019	AP	SY



⊕ Ø0.05 X Y
 FINISHING HOLE SIZE AND PLATED THRU HOLES



- 1 MATERIAL: CONTACT - PHOS BRONZE HOUSING - LCP, UL 94V-0, COLOR - BLACK
- 2 FINISH: CONTACT AREA FINISH CONFORMS TO THE REQUIREMENTS OF TE PRODUCT SPECIFICATION 108-2303; BASED ON TELCORDIA GR-1217-CORE FOR SYSTEM QUALITY LEVEL III, APPLICATIONS IN CONTROLLED ENVIRONMENTS (CENTRAL OFFICE). COMPLIANT PIN AREA- 0.5µm MIN MATTE TIN OVER 1.27µm MIN NICKEL.
- 3 CONNECTOR MARKED WITH PART NUMBER, DATE CODE AND STANDARD IN APPROXIMATE AREA SHOWN
- 4 DATUMS AND BASIC DIMENSIONS ESTABLISHED BY CUSTOMER.
- 5 CONTACT AREA LUBRICATED WITH BELLCORE APPROVED LUBRICANT. TECHNICAL REFERENCE GR-1217-CORE, ISSUE 1, NOVEMBER 1995.
- 6 REFERENCE APPLICATION SPEC 114-13202 FOR RECOMMENDED PLATED THRU HOLE DIAMETER AND PLATING THICKNESSES.
- 7 SHOWN LOGO OR OTHER TE OWNED LOGOS IN APPROXIAMATE AREA.

○ = SIGNAL
 ⊗ = GROUND
 RECOMMENDED PC BOARD LAYOUT BACKPLANE,
 COMPONENT SIDE SHOWN
 SCALE 6:1

1934333-1
 PART NUMBER

THIS DRAWING IS A CONTROLLED DOCUMENT.		DWN B.MCMASTER 06JUN2007	NAME HEADER ASSEMBLY, LEFT WALL, 5 PAIR 16 COLUMN TinMan
DIMENSIONS:	TOLERANCES UNLESS OTHERWISE SPECIFIED:	CHK W.DAVIS 06JUN2007	PRODUCT SPEC
mm	0 PLC ± 1 PLC ± 2 PLC ± 3 PLC ± 4 PLC ± ANGLES ±	APVD W.DAVIS 06JUN2007	APPLICATION SPEC
MATERIAL	FINISH	WEIGHT	SIZE CAGE CODE DRAWING NO A100779C=1934333
1	2	CUSTOMER DRAWING	RESTRICTED TO SCALE 6:1 SHEET 1 OF 1 REV G