

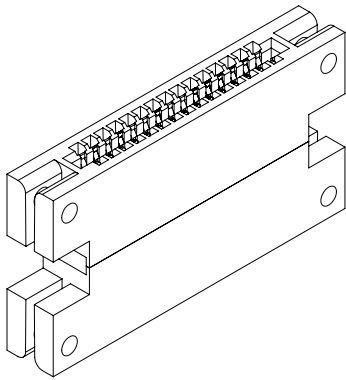


.100" [2.54 mm] Contact Centers, Dual Edge

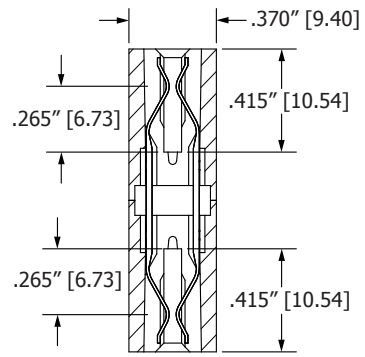
SPECIFICATIONS

- Accommodates .062" ± .008" [1.57 mm ± 0.20 mm] PC board, both sides
- PBT or PPS
- 3 Amps current rating for one contact energized
- 30 milli Ohms maximum at rated current
- UL Flammability Rating: 94V-0

Dual Card Edge

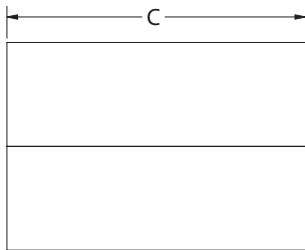


READOUT

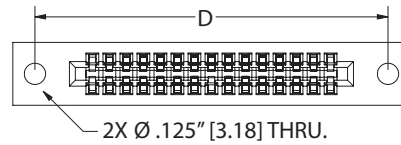


CROSS SECTION

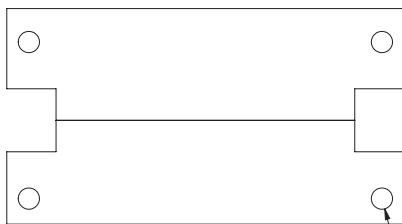
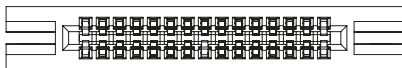
MOUNTING STYLE



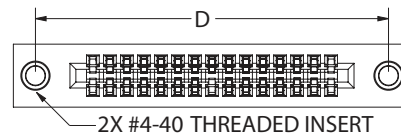
NO MOUNTING EARS (N)



FLUSH MOUNTING (D)



STRADDLE MOUNT (Q)



THREADED INSERT (I)



.100" [2.54 mm] Contact Centers, Dual Edge

PART NUMBER OPTIONS

E A C 50 F SL Q - Sxxx

MATERIALS (INSULATOR/CONTACT)
 E = PBT/Phosphor Bronze (Standard)
 R = PPS/Phosphor Bronze
 H = PBT/Beryllium Copper
 A = PPS/Beryllium Copper
 Refer to Page 7 for Operating/Processing Temperatures

CONTACT FINISH - RoHS Compliant
 All platings are Lead Free and have .000050" Nickel underplate
Contact Surface
 A = .000030" Gold, both ends

CONTACT CENTERS
 C = .100" [2.54 mm]

NUMBER OF CONTACT POSITIONS
 See Chart Below (Contacts per Row)

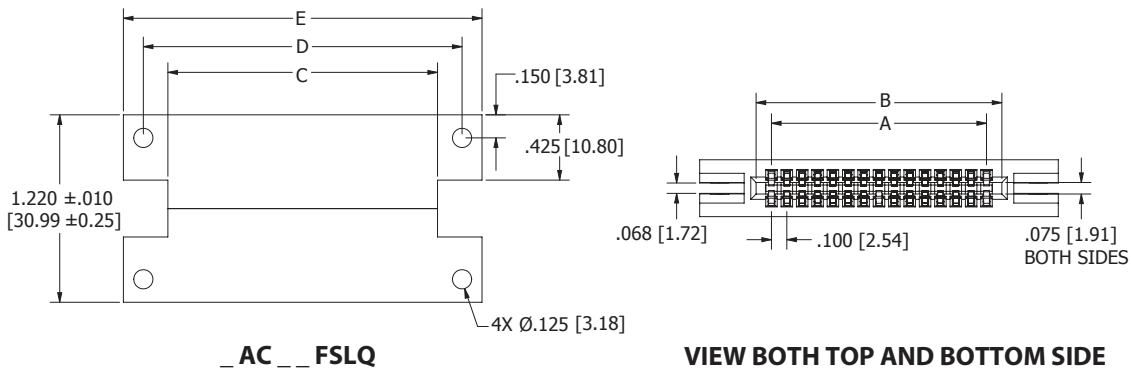
MODIFICATION CODE (Consult Factory)
 OMIT FOR STANDARD

MOUNTING STYLE (Opposite Page)
 Q = Straddle Mount
 D = Flush Mounting
 I = Threaded Insert
 N = No Mounting

TERMINATION TYPE (Opposite Page)
 SL = Single Level

READOUT (Opposite Page)
 F = Dual Edge

DIMENSIONS Dimensions in [] are in millimeters, all others are in inches.



POSITIONS/ CONTACTS	A±.008[0.20]		B±.008[0.20]		C±.015[0.38]		D±.010[0.25]		E±.020[0.25]	
	in	mm	in	mm	in	mm	in	mm	in	mm
05/10	0.400	10.16	0.600	15.24	0.756	19.20	1.075	27.31	1.335	33.91
06/12	0.500	12.70	0.700	17.78	0.856	21.74	1.175	29.85	1.435	36.45
07/14	0.600	15.24	0.800	20.32	0.956	24.28	1.275	32.39	1.535	38.99
10/20	0.900	22.86	1.100	27.94	1.256	31.90	1.575	40.01	1.835	46.61
12/24	1.100	27.94	1.300	33.02	1.456	36.98	1.775	45.09	2.035	51.69
13/26	1.200	30.48	1.400	35.56	1.556	39.52	1.875	47.63	2.135	54.23
15/30	1.400	35.56	1.600	40.64	1.756	44.60	2.075	52.71	2.335	59.31
16/32	1.500	38.10	1.700	43.18	1.856	47.14	2.175	55.25	2.435	61.85
17/34	1.600	40.64	1.800	45.72	1.956	49.68	2.275	57.79	2.535	64.39
18/36	1.700	43.18	1.900	48.26	2.056	52.22	2.375	60.33	2.635	66.93
20/40	1.900	48.26	2.100	53.34	2.256	57.30	2.575	65.41	2.835	72.01
22/44	2.100	53.34	2.300	58.42	2.456	62.38	2.775	70.49	3.035	77.09
23/46	2.200	55.88	2.400	60.96	2.556	64.92	2.875	73.03	3.135	79.63
24/48	2.300	58.42	2.500	63.50	2.656	67.46	2.975	75.57	3.235	82.17
25/50	2.400	60.96	2.600	66.04	2.756	70.00	3.075	78.11	3.335	84.71
26/52	2.500	63.50	2.700	68.58	2.856	72.54	3.175	80.65	3.435	87.25
28/56	2.700	68.58	2.900	73.66	3.056	77.62	3.375	85.73	3.635	92.33
30/60	2.900	73.66	3.100	78.74	3.256	82.70	3.575	90.81	3.835	97.41
31/62	3.000	76.20	3.200	81.28	3.356	85.24	3.675	93.35	3.935	99.95
34/68	3.300	83.82	3.500	88.90	3.656	92.86	3.975	100.97	4.235	107.57
35/70	3.400	86.36	3.600	91.44	3.756	95.40	4.075	103.51	4.335	110.11
36/72	3.500	88.90	3.700	93.98	3.856	97.94	4.175	106.05	4.435	112.65
40/80	3.900	99.06	4.100	104.14	4.256	108.10	4.575	116.21	4.835	122.81
43/86	4.200	106.68	4.400	111.76	4.556	115.72	4.875	123.83	5.135	130.43
44/88	4.300	109.22	4.500	114.30	4.656	118.26	4.975	126.37	5.235	132.97
50/100	4.900	124.46	5.100	129.54	5.256	133.50	5.575	141.61	5.835	148.21
60/120	5.900	149.86	6.100	154.94	6.256	158.90	'N' MOUNTING ONLY			

Dual Card Edge