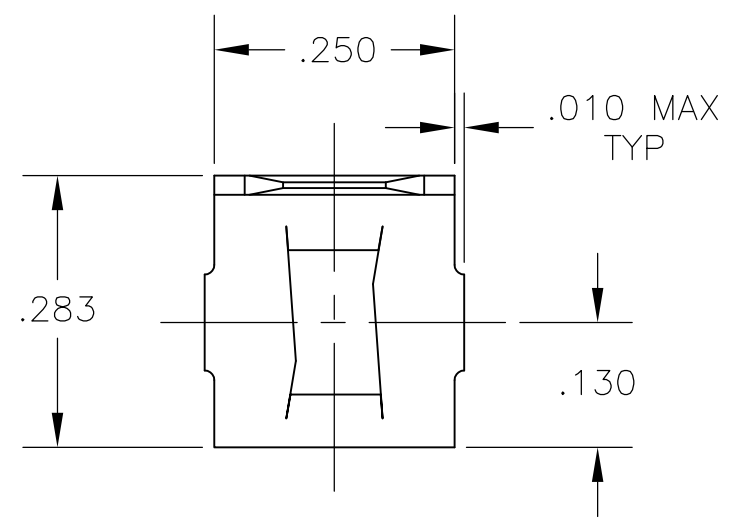
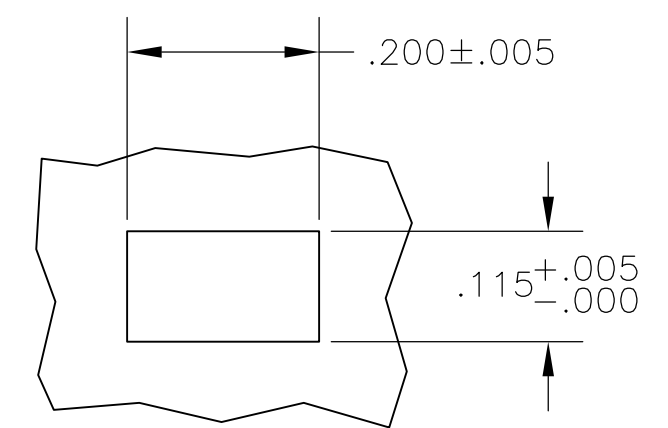
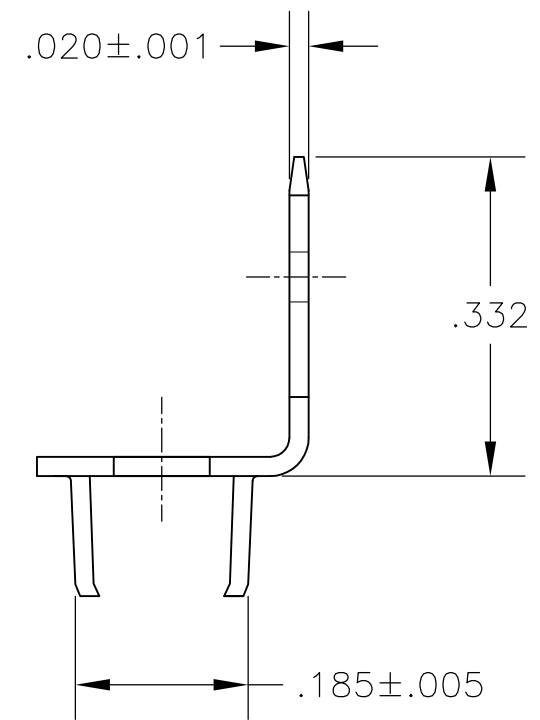
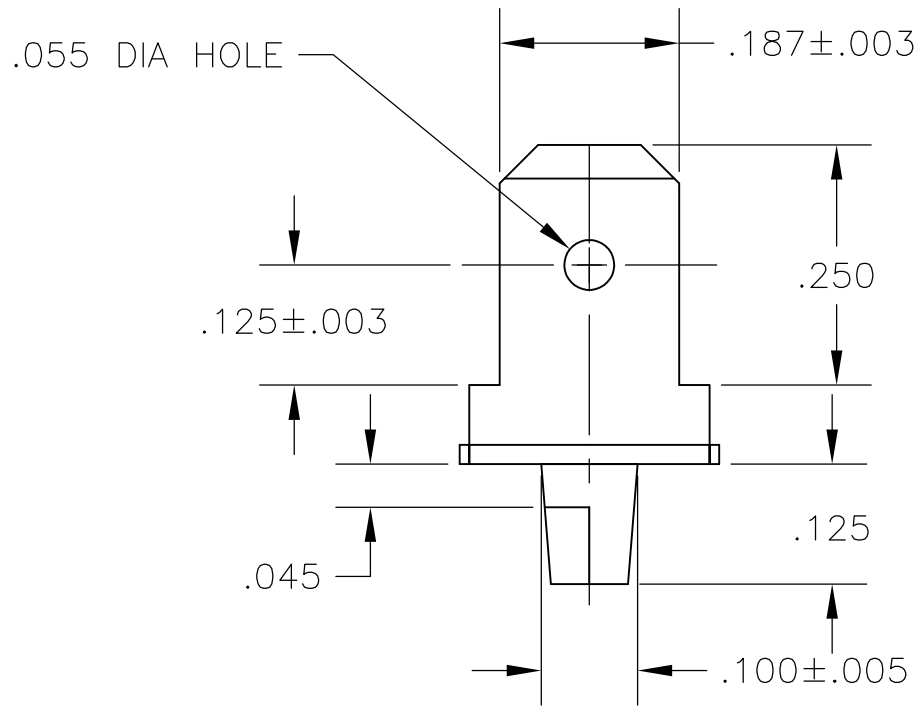


THIS DRAWING IS UNPUBLISHED. RELEASED FOR PUBLICATION  
 © COPYRIGHT - By - ALL RIGHTS RESERVED.

LOC	DIST	REVISIONS			
P	LTR	DESCRIPTION	DATE	DWN	APVD
AF	50	B	REVISED PER ECR-13-001204	04JUN13	KH PD



- 1 SUPPLIED IN LOOSE PIECE
- 2 .000150 MIN PRE-TIN PLATE OVER .000100 MIN COPPER.



REQUIRED HOLE SIZE FOR STAKING INTO A .055 THICK BOARD

62747-1  
PART NO.

THIS DRAWING IS A CONTROLLED DOCUMENT.		DWN	JR RUTH	17FEB06	TE Connectivity NAME TAB, STAKE .187 SERIES									
DIMENSIONS: INCHES		CHK	P DESANTIS	17FEB06										
TOLERANCES UNLESS OTHERWISE SPECIFIED:		APVD	P DESANTIS	17FEB06										
0 PLC ± - 1 PLC ± - 2 PLC ± - 3 PLC ± .015 4 PLC ± - ANGLES ± -		PRODUCT SPEC	-	APPLICATION SPEC				114-2115						
MATERIAL	BRASS	FINISH			WEIGHT	-	SIZE	A3	CAGE CODE	00779	DRAWING NO	C-62747	RESTRICTED TO	-
CUSTOMER DRAWING					SCALE	5:1	SHEET	1 OF 1	REV	B				