

4

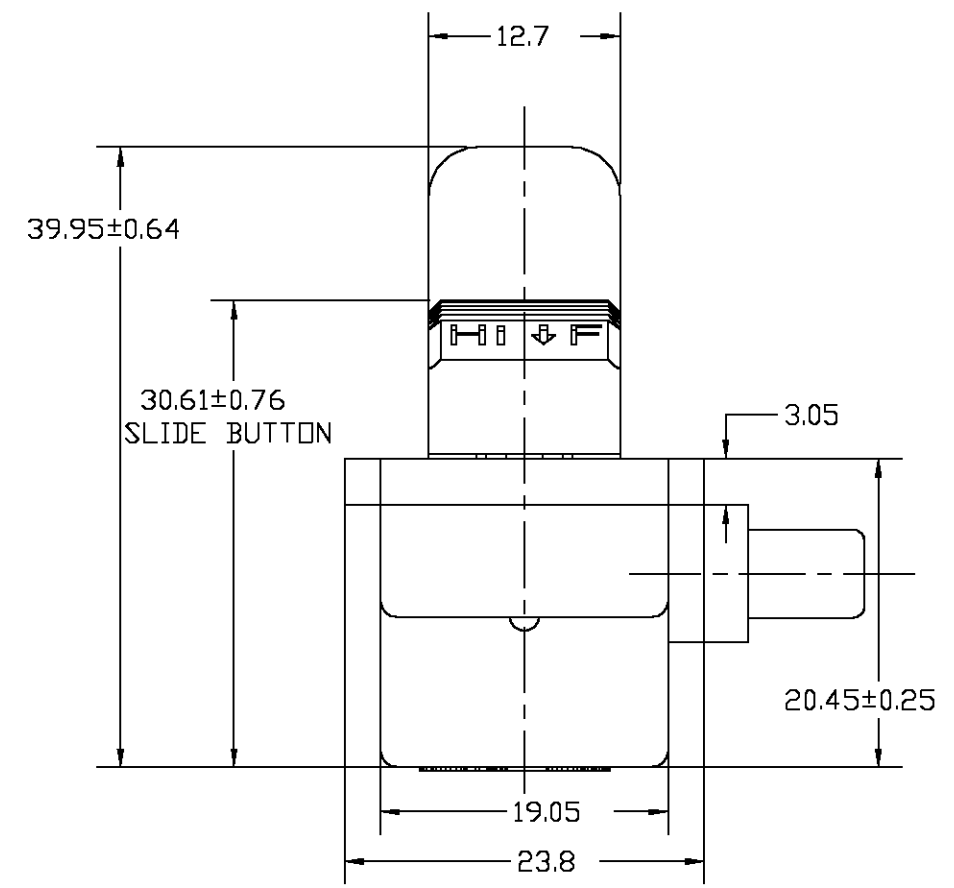
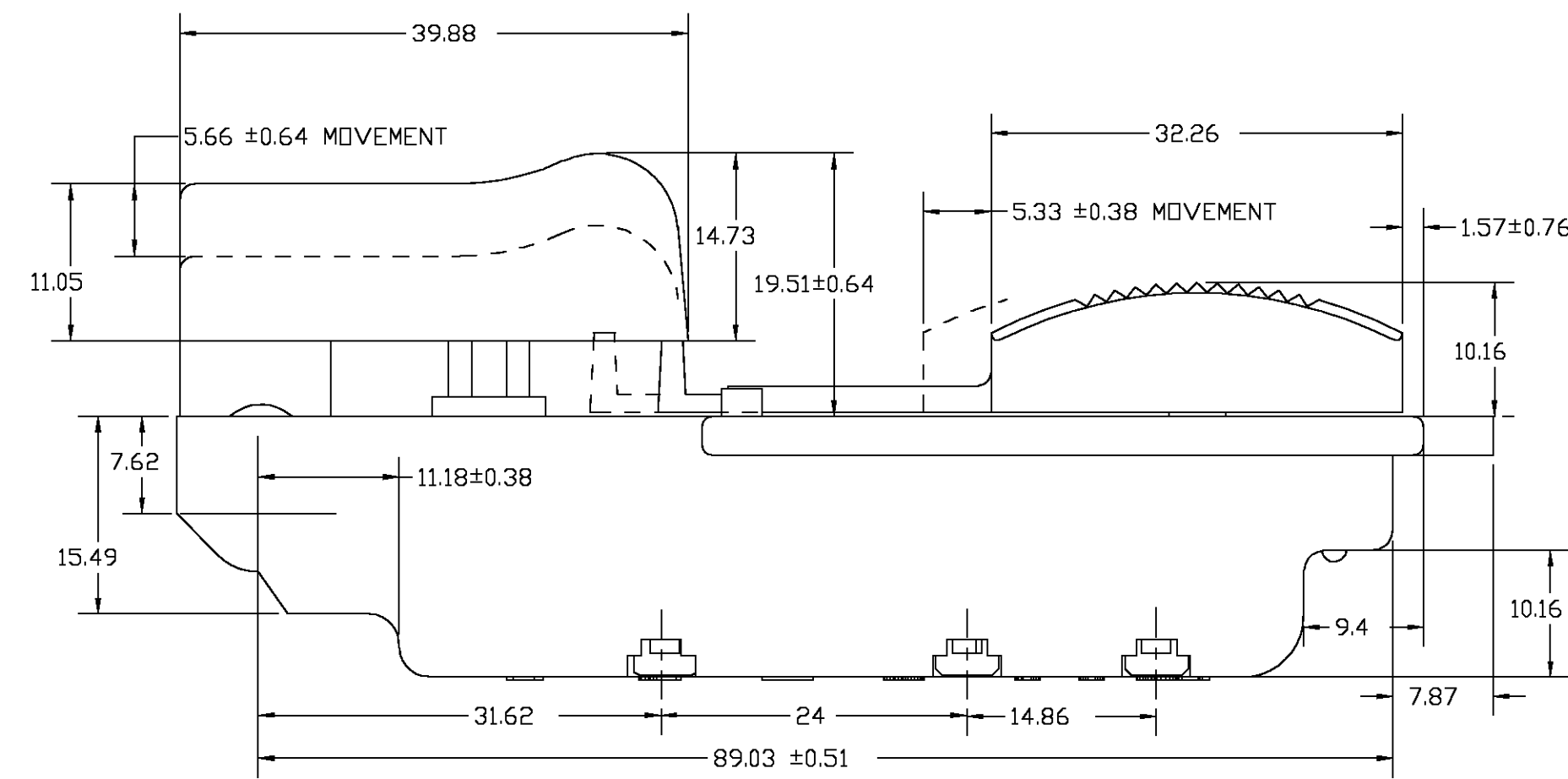
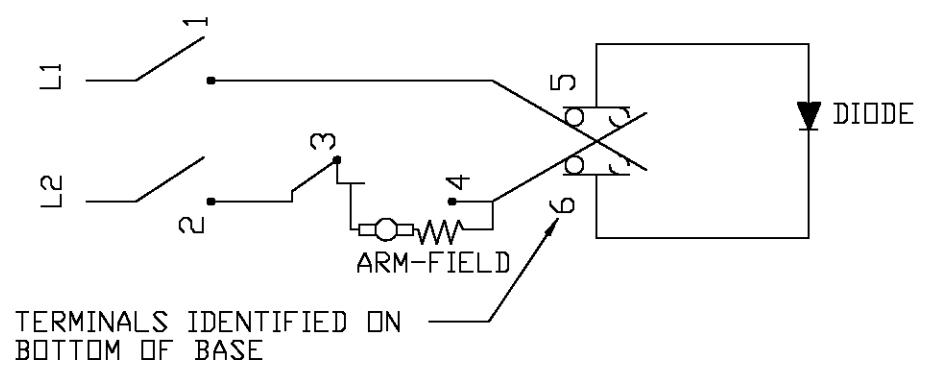
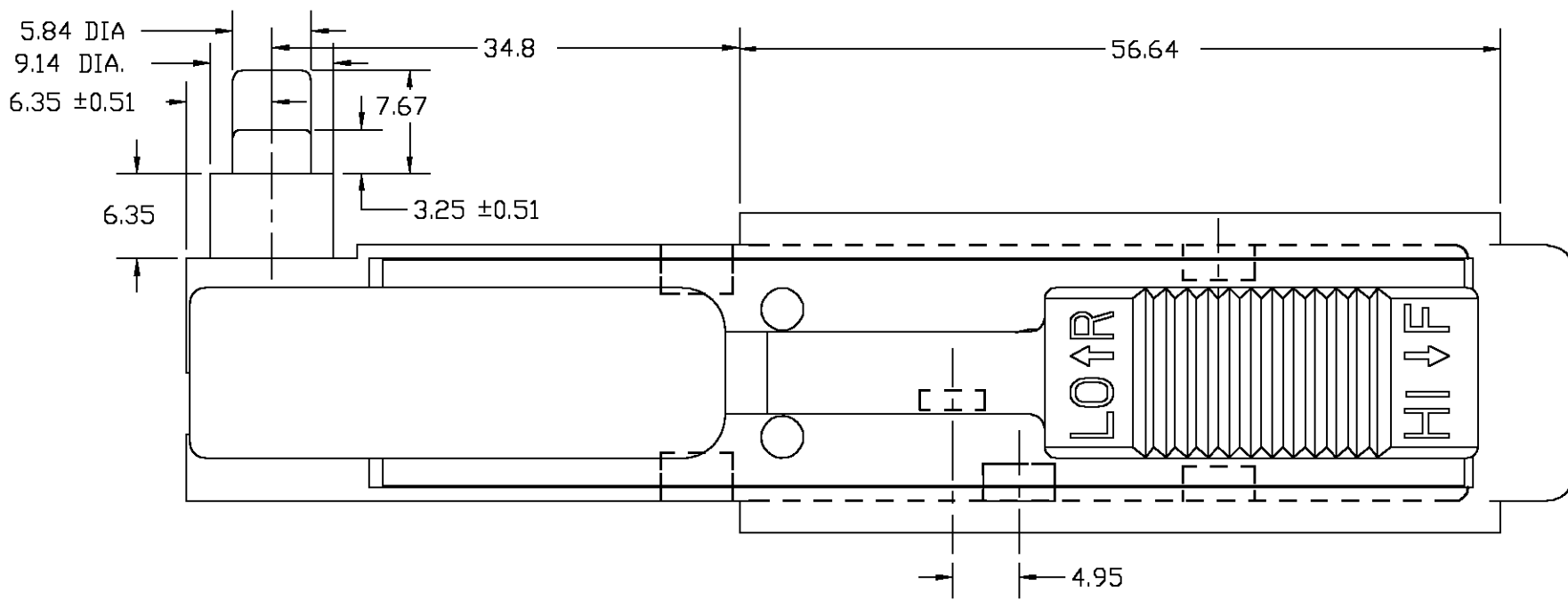
3

2

1

THIS DRAWING IS UNPUBLISHED. RELEASED FOR PUBLICATION 20
 © COPYRIGHT 20 BY TYCO ELECTRONICS CORPORATION. ALL RIGHTS RESERVED.

| LOC | DIST | REVISIONS | | | | |
|-----|------|-------------|---------------------------|---------|-------|--|
| P | LTR | DESCRIPTION | DATE | DWN | APVD | |
| ES | 00 | A | RELEASE PER ECR-05-002019 | 20APR05 | JZ MS | |



- NOTES:
- USE BRUSH CONTACT "TAB LOK" AMP P/N 62008 FOR TERMINAL CONNECTIONS OF THE SWITCH.
 - SWITCH RATING 12A-125 VAC, 6A-250VAC
 - GENERAL TOL IS ±0.25

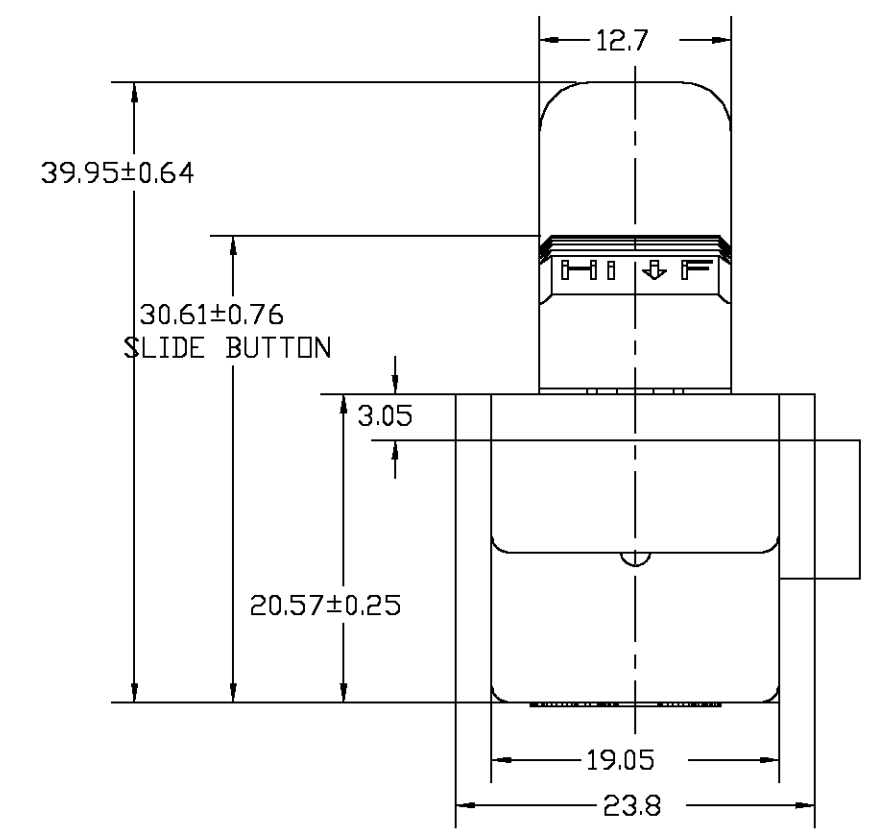
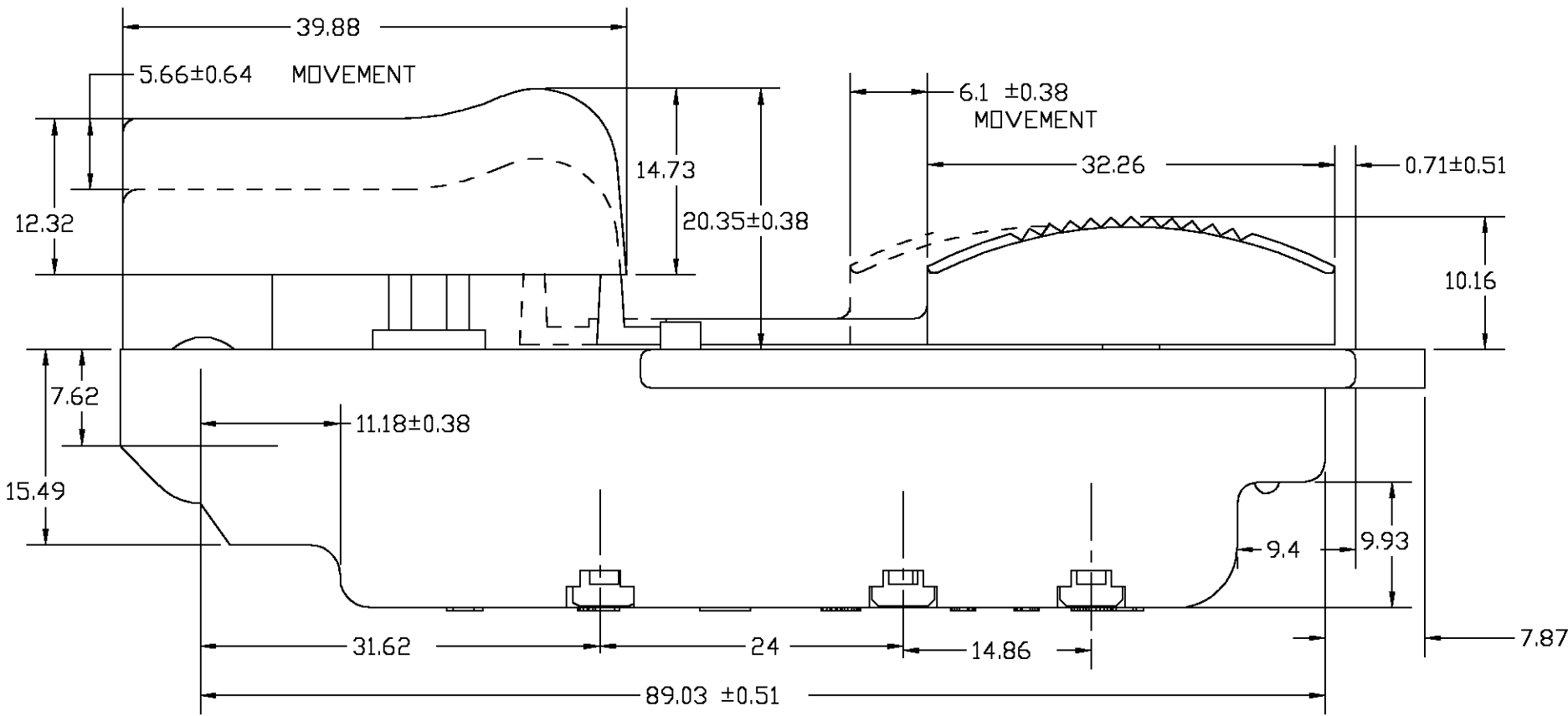
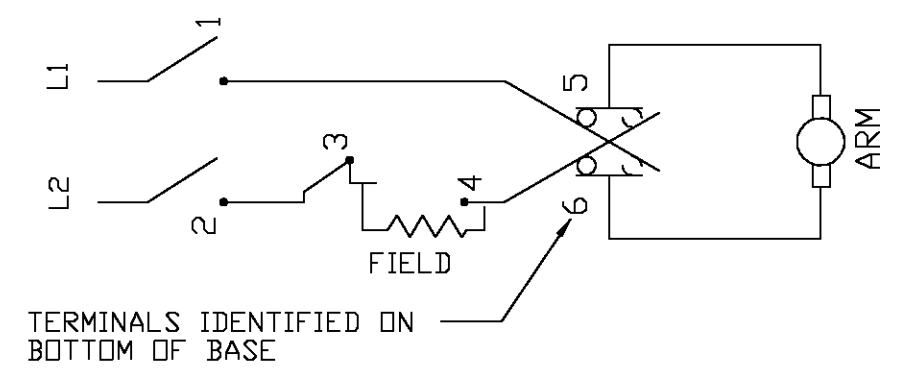
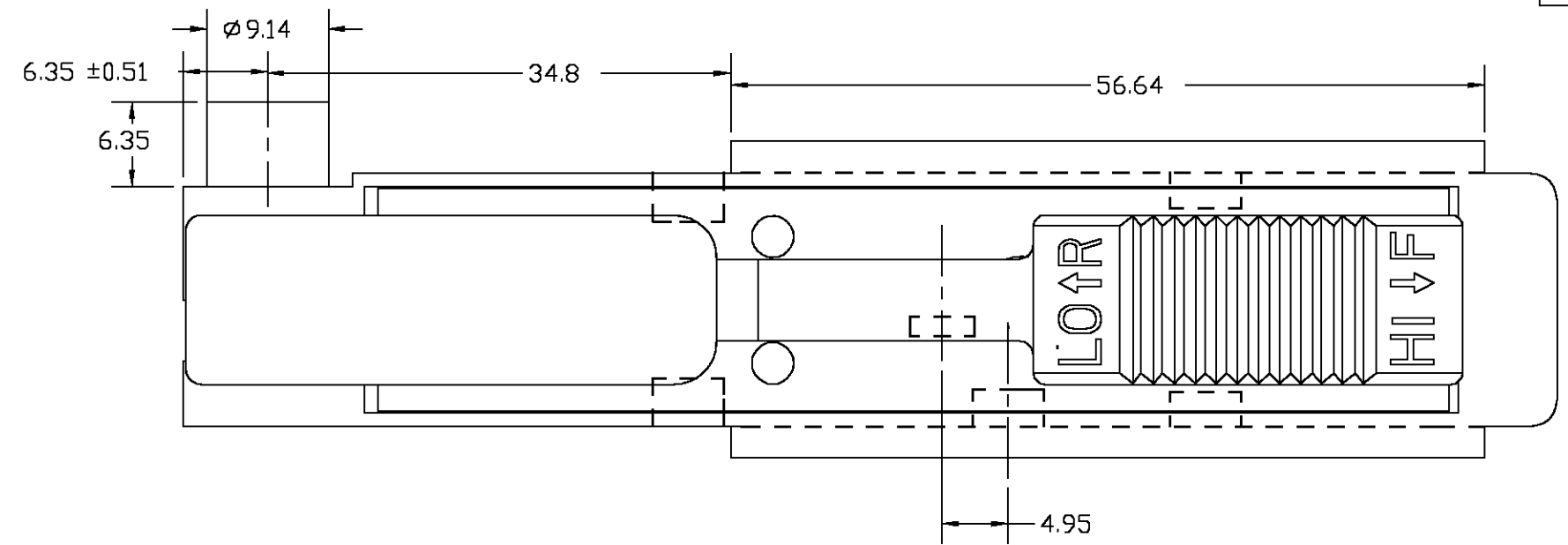
THIS DRAWING IS A CONTROLLED DOCUMENT FOR TYCO ELECTRONICS CORPORATION. IT IS SUBJECT TO CHANGE AND THE CONTROLLING ENGINEERING ORGANIZATION SHOULD BE CONTACTED FOR THE LATEST REVISION.

| DIMENSIONS: | TOLERANCES UNLESS OTHERWISE SPECIFIED: |
|-------------|--|
| MM | 0 PLC ±- |
| | 1 PLC ±- |
| | 2 PLC ±- |
| | 3 PLC ±- |
| | 4 PLC ±- |
| | ANGLES ±- |
| MATERIAL - | FINISH - |

| | |
|-------------------------|--|
| DWN J.ZHANG 27APR2005 | Tyco Electronics Shanghai, CHINA |
| CHK K.KOISHI 27APR2005 | |
| APVD M.SHINDO 27APR2005 | |
| PRODUCT SPEC | NAME HI-LD SPEED TOOL HANDLE SWITCH |
| APPLICATION SPEC | SIZE A3 CAGE CODE 00779 DRAWING NO C-1520279 RESTRICTED TO - |
| WEIGHT - | CUSTOMER DRAWING SCALE 2:1 SHEET 1 OF 5 REV A |

THIS DRAWING IS UNPUBLISHED. RELEASED FOR PUBLICATION 20
 © COPYRIGHT 20 BY TYCO ELECTRONICS CORPORATION. ALL RIGHTS RESERVED.

| LOC | DIST | REVISIONS | | | |
|-----|------|-------------|------|-----|------|
| P | LTR | DESCRIPTION | DATE | DWN | APVD |
| ES | 00 | SEE SHEET 1 | | | |



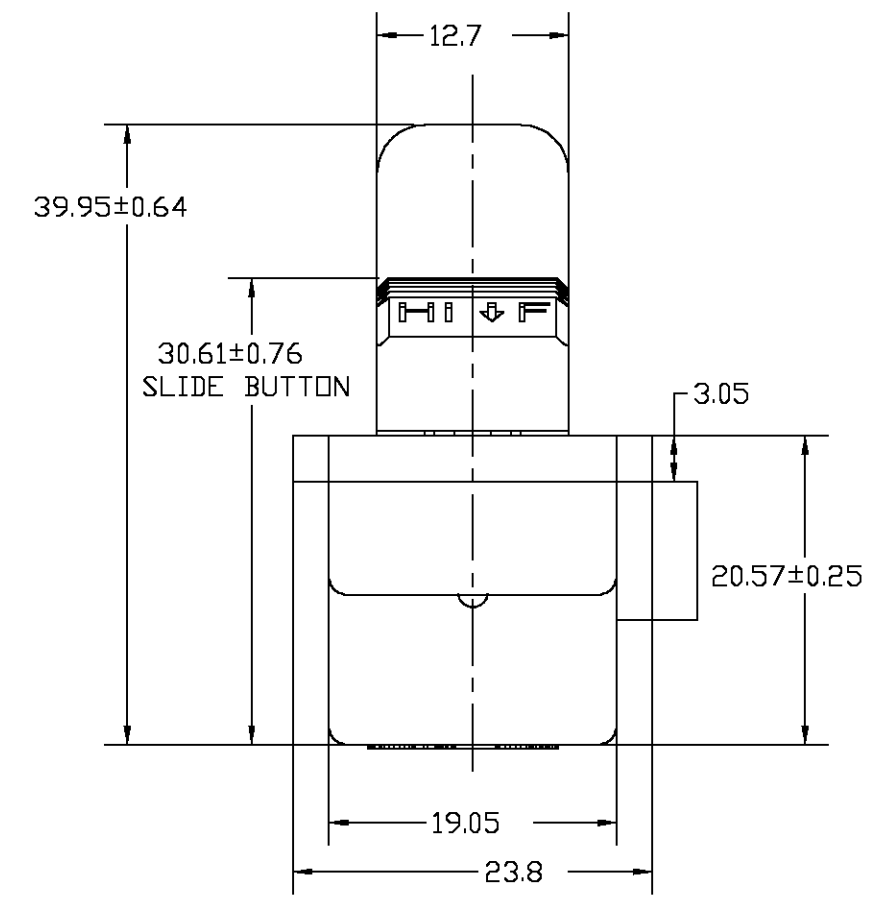
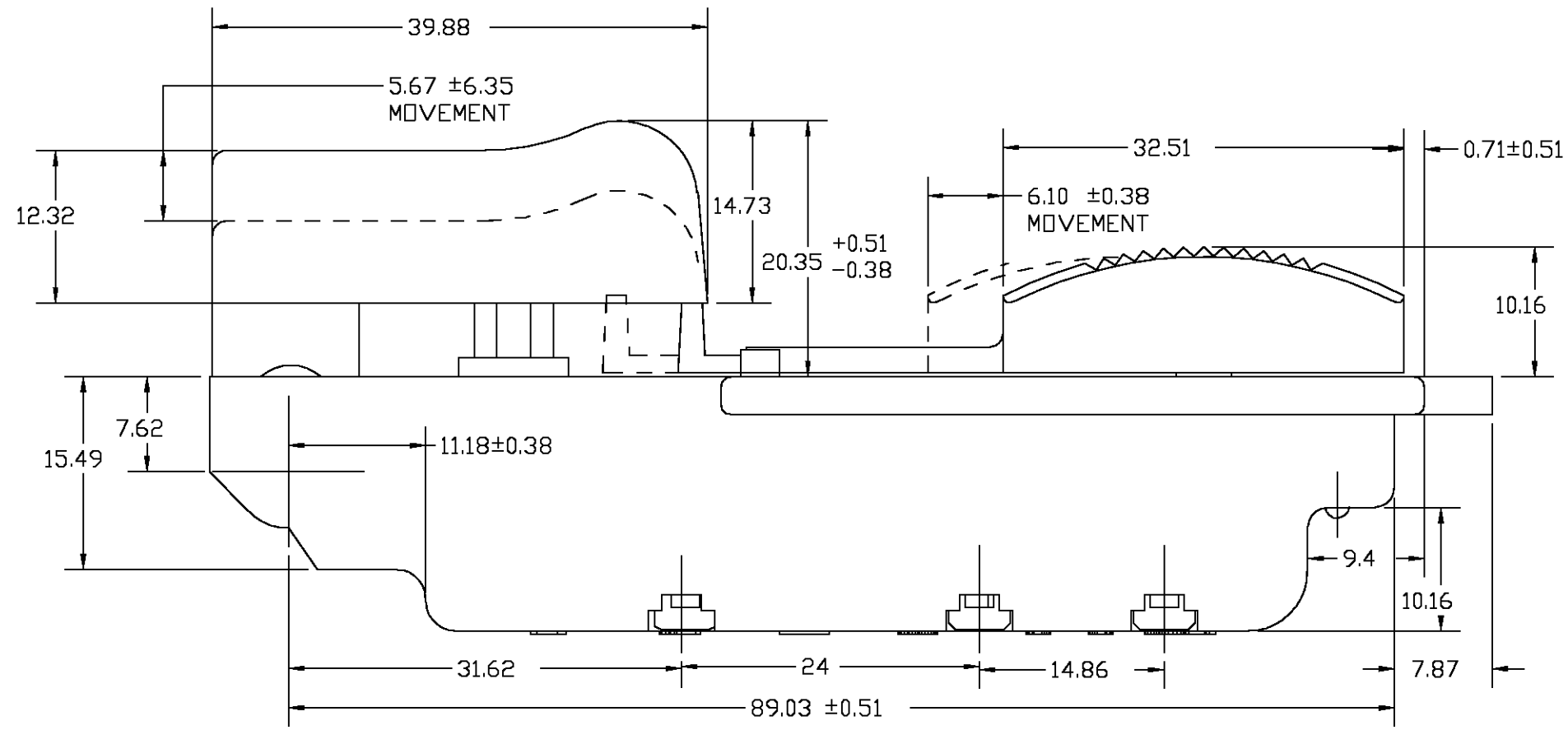
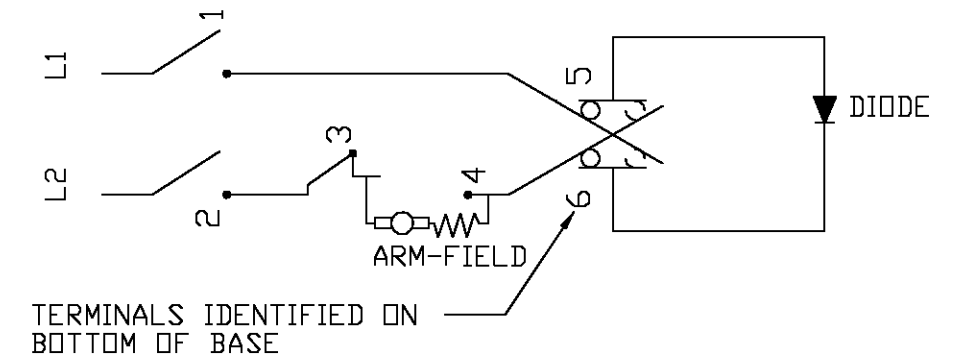
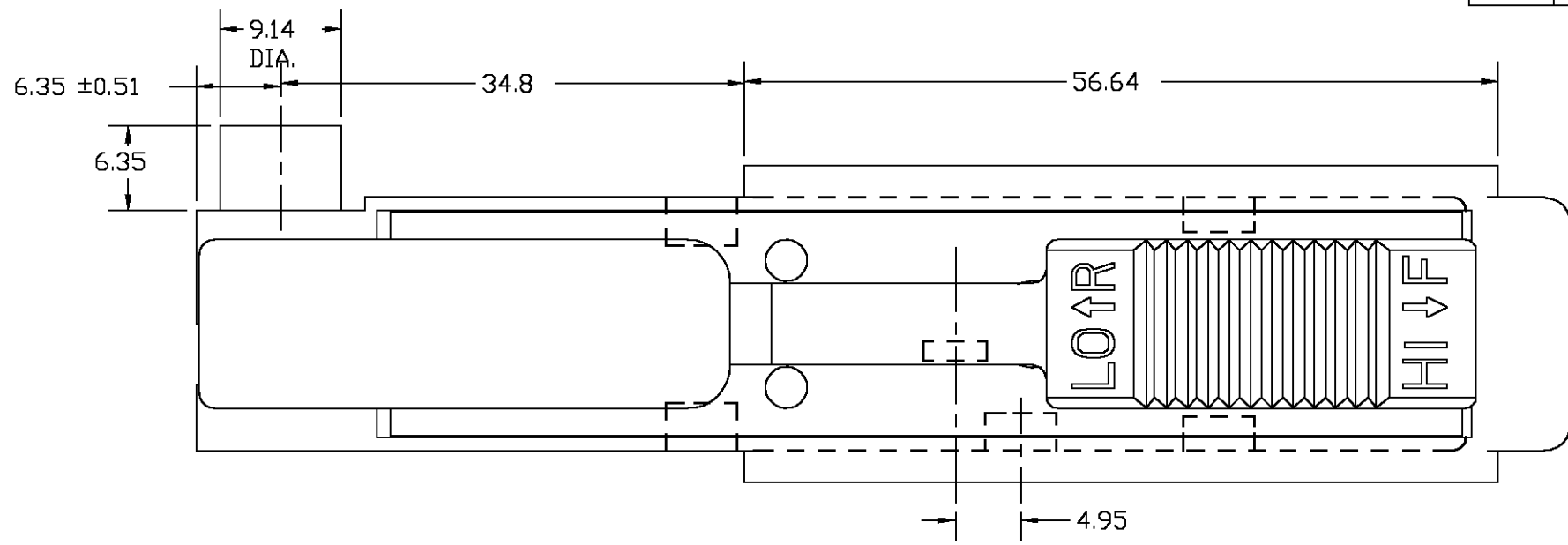
- NOTE:
- USE BRUSH CONTACT "TAB LOK" AMP P/N 62008 FOR TERMINAL CONNECTIONS OF THE SWITCH.
 - SWITCH RATING 12A-125 VAC, 6A-250VAC
 - GENERAL TOL IS ±0.25

| | | | | | | |
|--|--|------------------|---------------------------------|-----------|-------------------------------------|---------------|
| <small>THIS DRAWING IS A CONTROLLED DOCUMENT FOR TYCO ELECTRONICS CORPORATION. IT IS SUBJECT TO CHANGE AND THE CONTROLLING ENGINEERING ORGANIZATION SHOULD BE CONTACTED FOR THE LATEST REVISION.</small> | | DWN | J.ZHANG | 20APR2005 | Tyco Electronics Shanghai, CHINA | |
| DIMENSIONS: mm | | CHK | M.SHINDO | 20APR2005 | | |
| | | APVD | M.SHINDO | 20APR2005 | | |
| TOLERANCES UNLESS OTHERWISE SPECIFIED: 0 PLC ±- 1 PLC ± 2 PLC ± 3 PLC ± 4 PLC ± ANGLES ±- | | PRODUCT SPEC | NAME | | | |
| MATERIAL - | | APPLICATION SPEC | FORWARD-REVERSE TOOL HANDLE SW. | | | |
| FINISH - | | WEIGHT - | SIZE | CAGE CODE | DRAWING NO | RESTRICTED TO |
| | | CUSTOMER DRAWING | A3 | 00779 | ©=1520279 | - |
| | | | SCALE | SHEET | OF | REV |
| | | | 2:1 | 2 | 5 | A |

THIS DRAWING IS UNPUBLISHED. RELEASED FOR PUBLICATION 20
 © COPYRIGHT 20 BY TYCO ELECTRONICS CORPORATION. ALL RIGHTS RESERVED.

LOC ES DIST 00

| REVISIONS | | | | | |
|-----------|-----|-------------|------|-----|------|
| P | LTR | DESCRIPTION | DATE | DWN | APVD |
| | - | SEE SHEET 1 | - | - | - |



NOTES:

- USE BRUSH CONTACT "TAB LOK" AMP P/N 62008 FOR TERMINAL CONNECTIONS OF THE SWITCH.
- SWITCH RATING 12A-125 VAC, 6A-250VAC
- GENERAL TOL IS ±0.25

| | | | | |
|--|--|-------------------------|-------------------------------------|-----------------|
| <small>THIS DRAWING IS A CONTROLLED DOCUMENT FOR TYCO ELECTRONICS CORPORATION. IT IS SUBJECT TO CHANGE AND THE CONTROLLING ENGINEERING ORGANIZATION SHOULD BE CONTACTED FOR THE LATEST REVISION.</small> | | DWN J.ZHANG 27APR2005 | Tyco Electronics Shanghai, CHINA | |
| DIMENSIONS: mm | | CHK K.OOISHI 27APR2005 | NAME HI-LD SPEED TOOL HANDLE SWITCH | |
| TOLERANCES UNLESS OTHERWISE SPECIFIED: 0 PLC ± 1 PLC ± 2 PLC ± 3 PLC ± 4 PLC ± ANGLES ± | | APVD M.SHINDO 27APR2005 | - | |
| MATERIAL - | | PRODUCT SPEC - | APPLICATION SPEC - | RESTRICTED TO - |
| FINISH - | | WEIGHT - | SIZE A3 | CAGE CODE 00779 |
| | | CUSTOMER DRAWING | DRAWING NO C=1520279 | SCALE 2:1 |
| | | | SHEET 3 OF 5 | REV A |

4

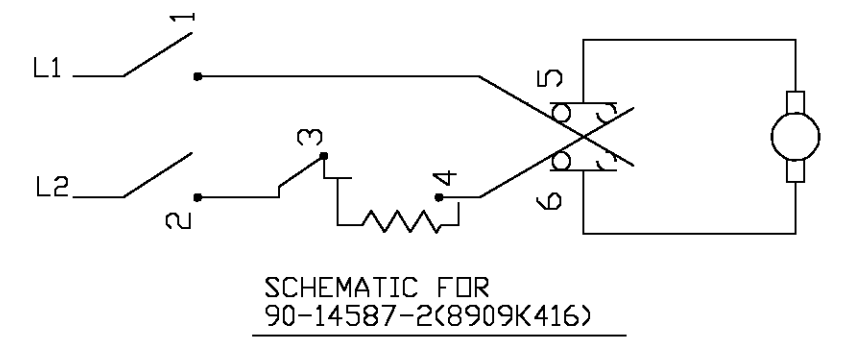
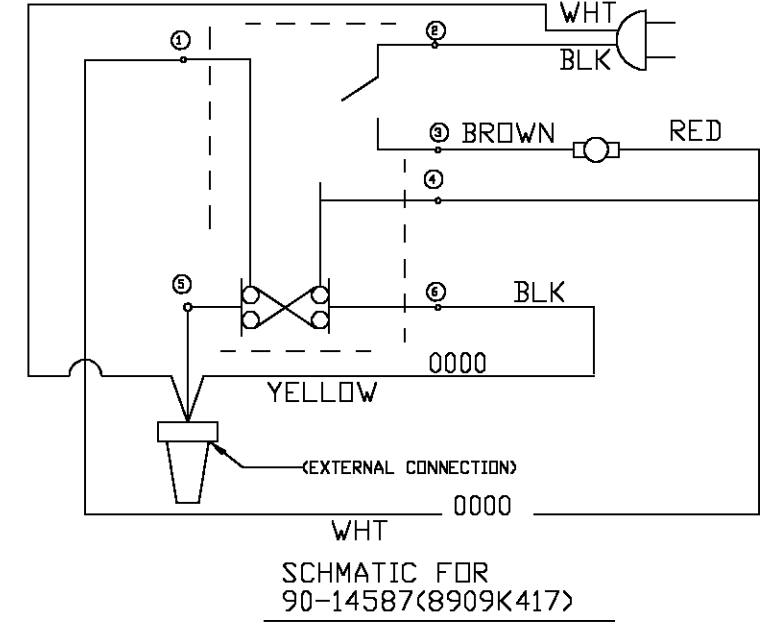
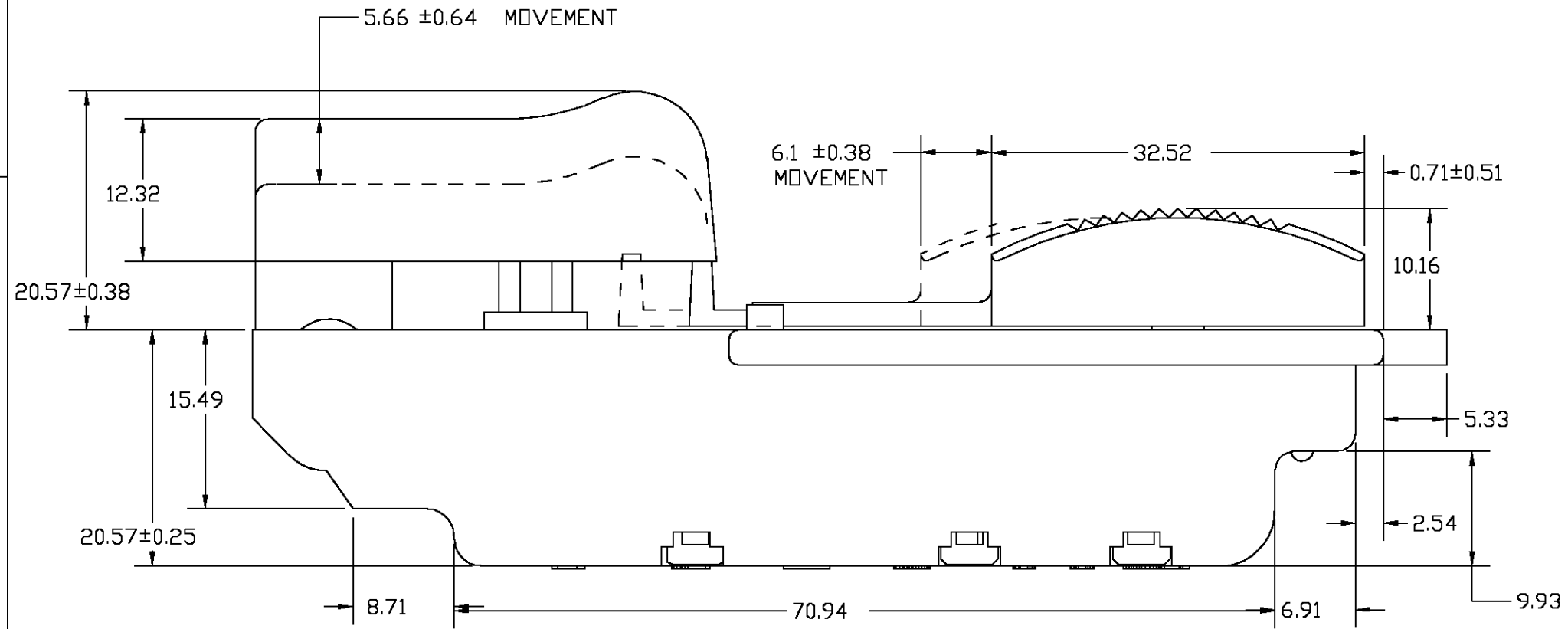
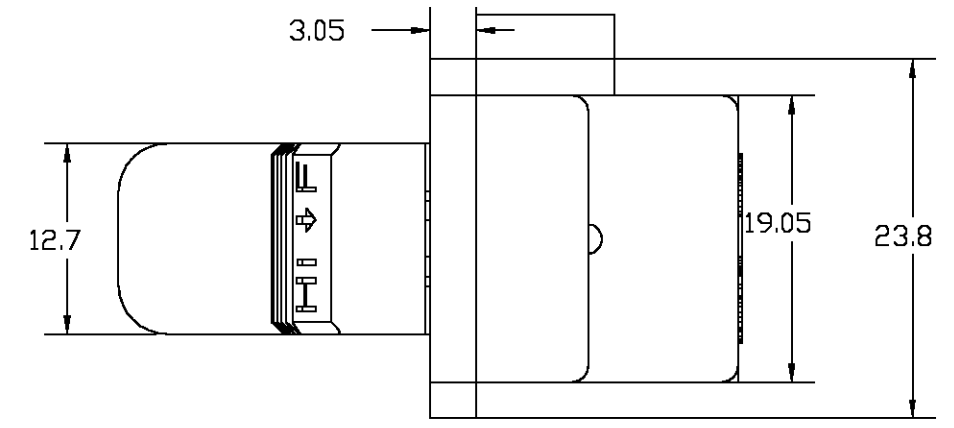
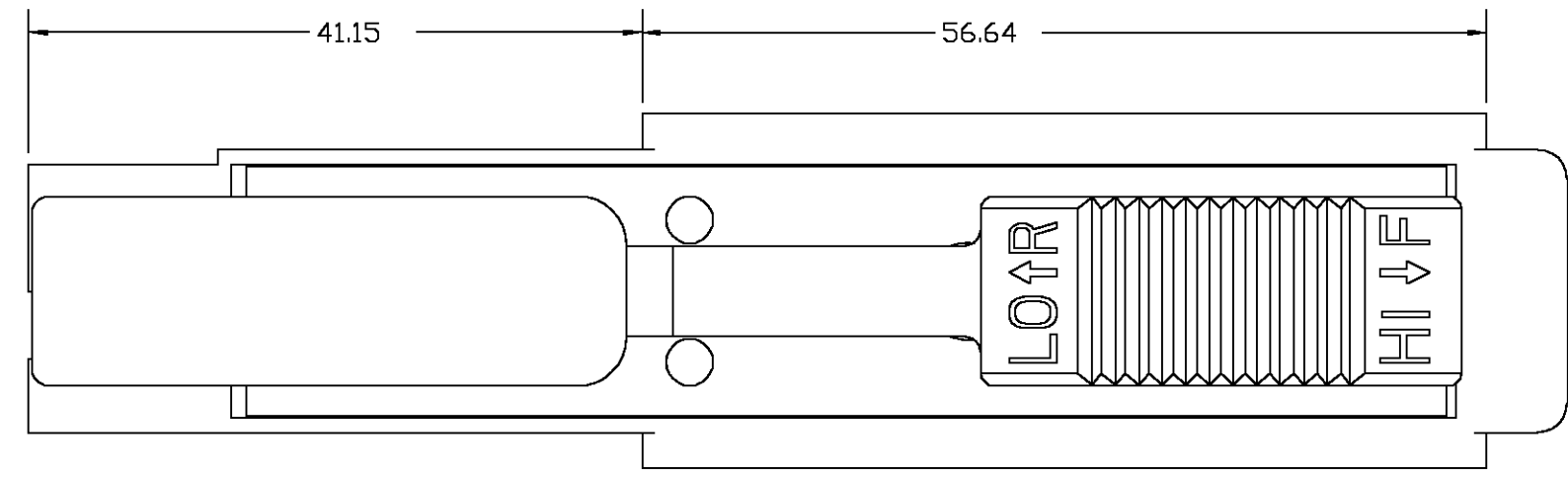
3

2

1

THIS DRAWING IS UNPUBLISHED. RELEASED FOR PUBLICATION 20
 © COPYRIGHT 20 BY TYCO ELECTRONICS CORPORATION. ALL RIGHTS RESERVED.

| LOC | DIST | REVISIONS | | | | | |
|-----|------|-----------|-----|-------------|------|-----|------|
| ES | 00 | P | LTR | DESCRIPTION | DATE | DWN | APVD |
| | | | | SEE SHEET 1 | | | |



- NOTE:
- USE BRUSH CONTACT "TAB LOK" AMP P/N 62008 FOR TERMINAL CONNECTIONS OF THE SWITCH.
 - SWITCH RATING 12A-125 VAC, 6A-250VAC
 - ±0.25 TOL. ON ALL DIMS UNLESS NOTED OTHERWISE

| 1520279-7 | 90-14587-2 | 8909K416-BLACK COVER |
|-----------|------------|----------------------|
| 1520279-8 | 90-14587 | 8909K417-RED COVER |
| TYCO NO | EATON NO | DESCRIPTION |

THIS DRAWING IS A CONTROLLED DOCUMENT FOR TYCO ELECTRONICS CORPORATION. IT IS SUBJECT TO CHANGE AND THE CONTROLLING ENGINEERING ORGANIZATION SHOULD BE CONTACTED FOR THE LATEST REVISION.

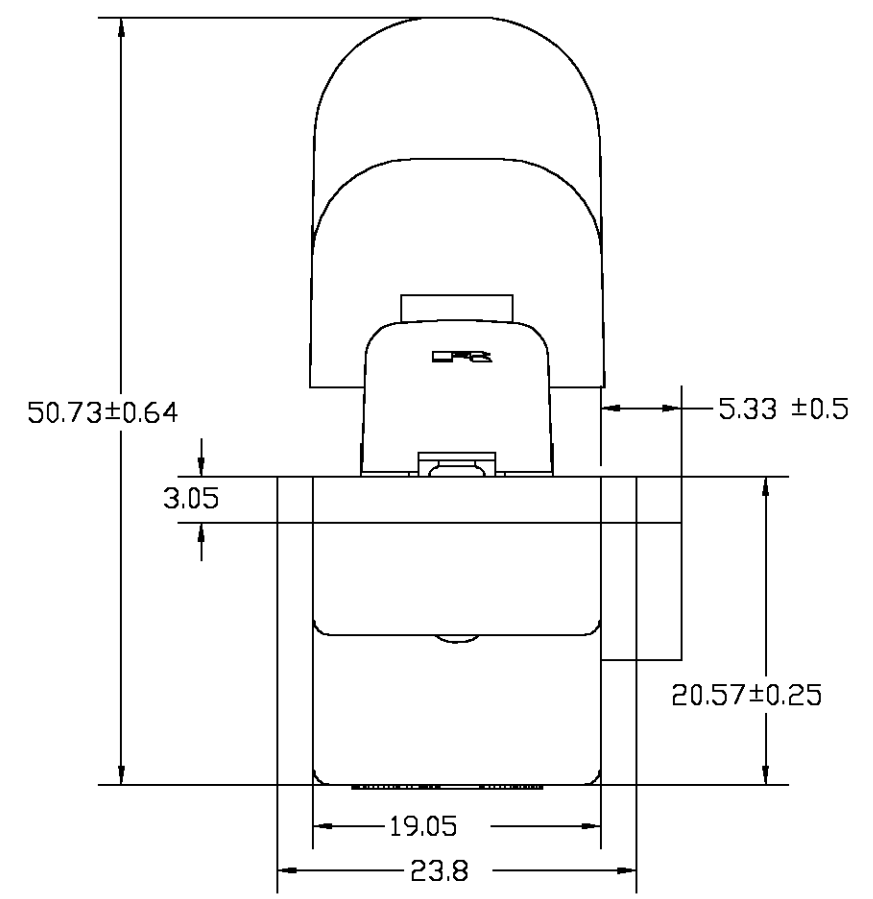
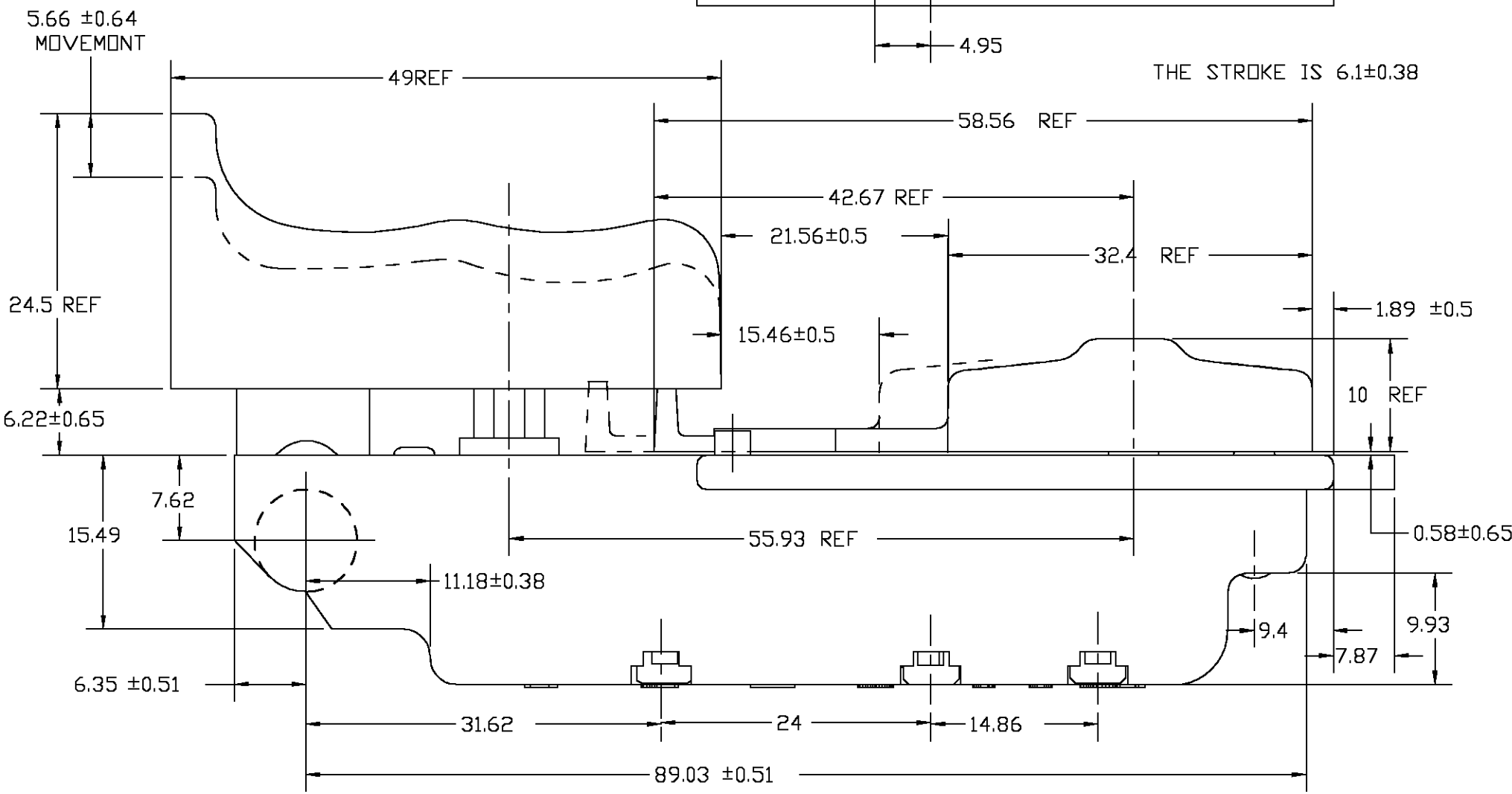
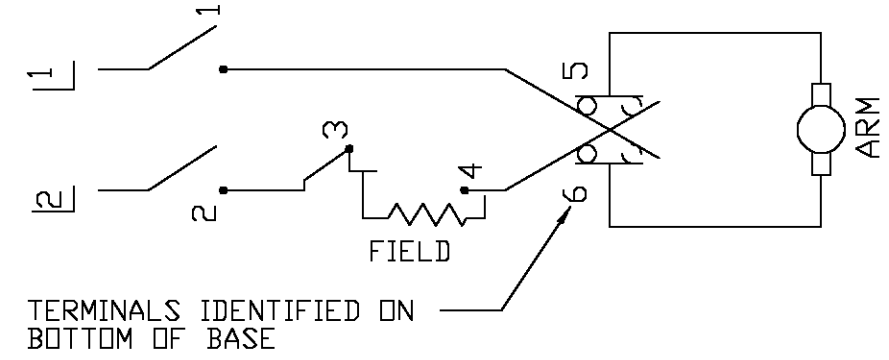
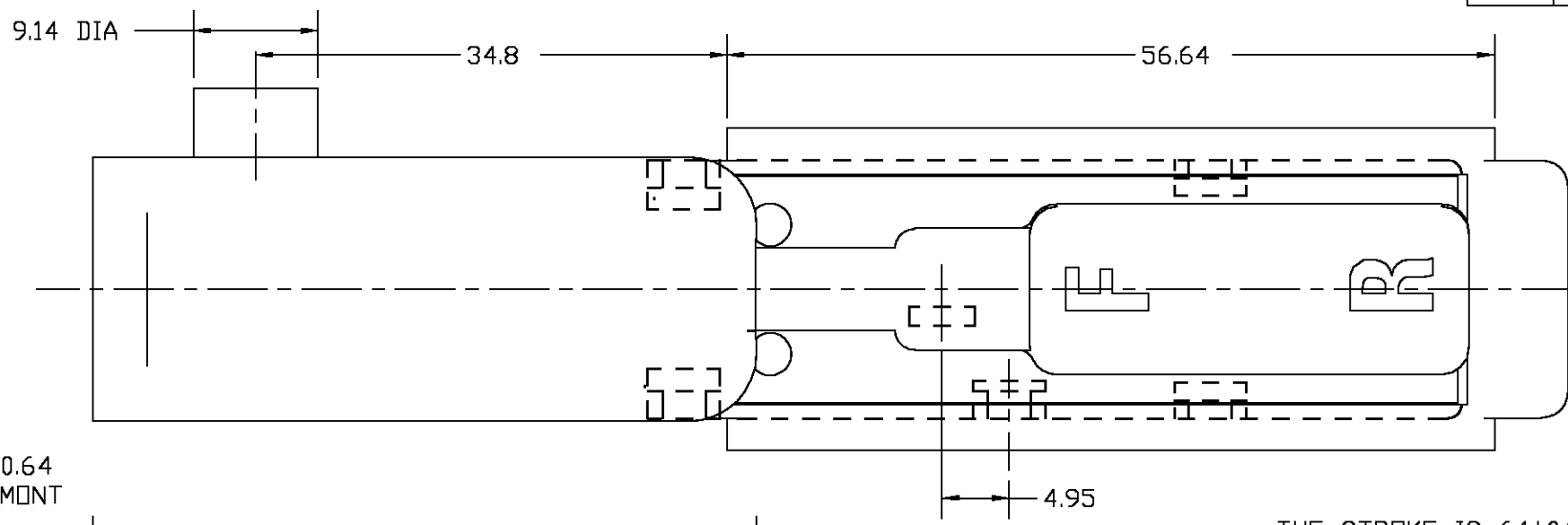
| DIMENSIONS: | TOLERANCES UNLESS OTHERWISE SPECIFIED: |
|-------------|--|
| mm | |
| | 0 PLC ±- |
| | 1 PLC ±- |
| | 2 PLC ±- |
| | 3 PLC ±- |
| | 4 PLC ±- |
| | ANGLES ±- |
| MATERIAL | FINISH |
| - | - |

| | | | |
|------------------|----------|-----------|-------------------------------------|
| DWN | J.ZHANG | 27APR2005 | Tyco Electronics Shanghai, CHINA |
| CHK | K.OOISHI | 27APR2005 | |
| APVD | M.SHINDO | 27APR2005 | |
| PRODUCT SPEC | | | NAME |
| APPLICATION SPEC | | | FORWARD-REVERSE TOOL HANDLE SWITCH |
| WEIGHT | | | SIZE |
| CUSTOMER DRAWING | | | CAGE CODE |
| SCALE | | | DRAWING NO |
| SHEET | | | RESTRICTED TO |
| REV | | | |

THIS DRAWING IS UNPUBLISHED. RELEASED FOR PUBLICATION 20
 © COPYRIGHT 20 BY TYCO ELECTRONICS CORPORATION. ALL RIGHTS RESERVED.

LOC ES DIST 00

| REVISIONS | | | | | |
|-----------|-----|-------------|------|-----|------|
| P | LTR | DESCRIPTION | DATE | DWN | APVD |
| | - | SEE SHEET 1 | - | - | - |
| | | | | | |
| | | | | | |



- NOTE:
1. OUTSIDE SURFACE OF TRIGGER AND BUTTON: (COLOR CODE: MATTE BLACK TEXTURE: MOLD-TECH MT-11010)
 2. USE BRUSH CONTACT "TAB LOK" AMP P/N 62008 FOR TERMINAL CONNECTIONS OF THE SWITCH.
 3. SWITCH RATING 12A-125 VAC, 6A-250VAC
 4. GENERAL TOL IS 0.25mm
 5. THE OPERATION FORCE OF TRIGGER: 3.0Kg~6.0Kg
 6. THE OPERATION FORCE OF SLIDE BUTTON: 1.0Kg~4.0Kg

| | | | | | |
|--|--|--|-------------------------------------|--|----------------------|
| <small>THIS DRAWING IS A CONTROLLED DOCUMENT FOR TYCO ELECTRONICS CORPORATION. IT IS SUBJECT TO CHANGE AND THE CONTROLLING ENGINEERING ORGANIZATION SHOULD BE CONTACTED FOR THE LATEST REVISION.</small> | | DWN J.ZHANG 27APR2005 | Tyco Electronics Shanghai, CHINA | 1-1520279-5 TYCO P/N | |
| DIMENSIONS: mm | | CHK K.OOISHI 27APR2005 | | NAME CLASSIC INDUSTRIAL COMB. SWITCH WITH NEW TRIGGER AND BUTTON | |
| TOLERANCES UNLESS OTHERWISE SPECIFIED: 0 PLC ±- 1 PLC ±- 2 PLC ±- 3 PLC ±- 4 PLC ±- ANGLES ±- | | APVD M.SHINDO 27APR2005 | SIZE A3 | CAGE CODE 00779 | DRAWING NO ©=1520279 |
| MATERIAL - FINISH - | | PRODUCT SPEC - APPLICATION SPEC - WEIGHT - | RESTRICTED TO - | | |
| CUSTOMER DRAWING | | | SCALE 2:1 | SHEET 5 OF 5 | REV A |