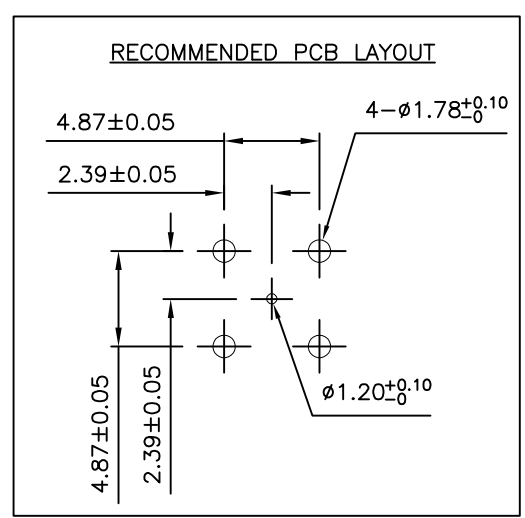
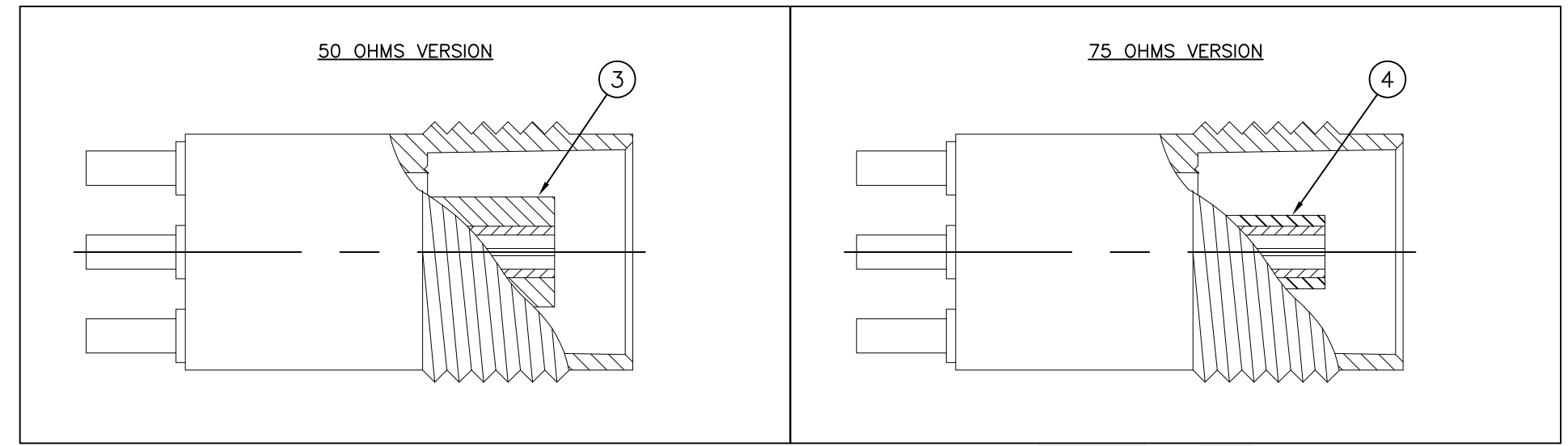
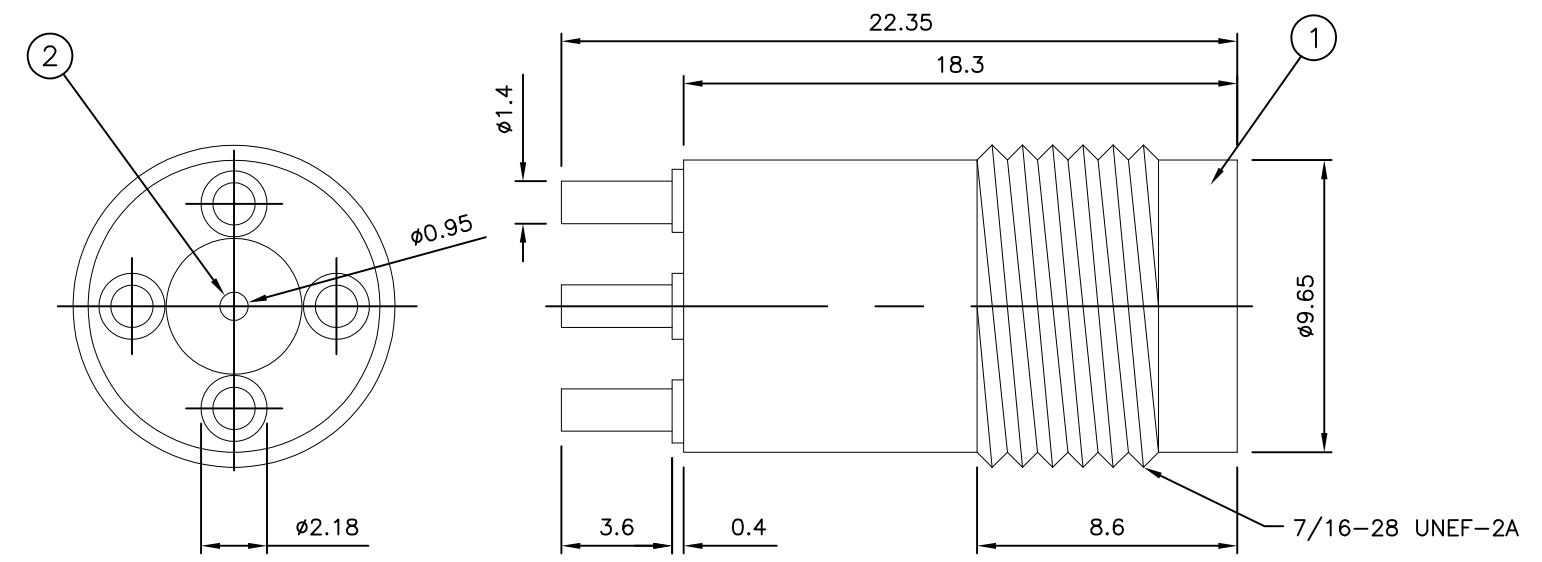


THIS DRAWING IS UNPUBLISHED. RELEASED FOR PUBLICATION NOV , 2006.
 © COPYRIGHT 2006 By - ALL RIGHTS RESERVED.

LOC	DIST	REVISIONS			
P	LTR	DESCRIPTION	DATE	DWN	APVD
E	B	B1	REVISED PER ECO-11-005033	01APR11	RK HMR
		C	REVISED PER ECO-12-009395	17MAY12	TITAN MARTIN

- NOTES:**
- 1 PACK IN ACCORDANCE WITH AMP SPEC 107-3275
 - 2 100 TRAY PACK IN ACCORDANCE WITH AMP SPEC 107-3275
 - 3 Au PLATING
 - 4 Ni PLATING
 - 5 FOR TECHNICAL DATA REFER TO YOUR LOCAL TE CONNECTIVITY SALES OFFICE
 - 6 ALL DIMENSIONS ARE NOMINAL FOR REFERENCE ONLY UNLESS OTHERWISE STATED



Obsolete	Obsolete		Obsolete			
1	1	-	-	PTFE	INSULATION	4
-	-	1	1	PTFE	INSULATION	3
1	1	1	1	PHOSPHOR BRONZE 3	CONTACT	2
1	1	1	1	ZINC 4	BODY	1
5--3	5--2	5--1	5--0	MATERIAL	DESCRIPTION	ITEM
1	2	1	2	PARTS LIST		

THIS DRAWING IS A CONTROLLED DOCUMENT.

DWN RITA ZUO 11 Mar 09
 CHK ANSON MA 11 Mar 09
 APVD BOB ZHAO 11 Mar 09

108-112000

TE Connectivity

TNC STRAIGHT PCB SOCKET 50 & 75 OHM

SIZE A3 CAGE CODE 00779 DRAWING NO C-1814805 RESTRICTED TO -

SCALE NTS SHEET 1 OF 1 REV C

CUSTOMER DRAWING