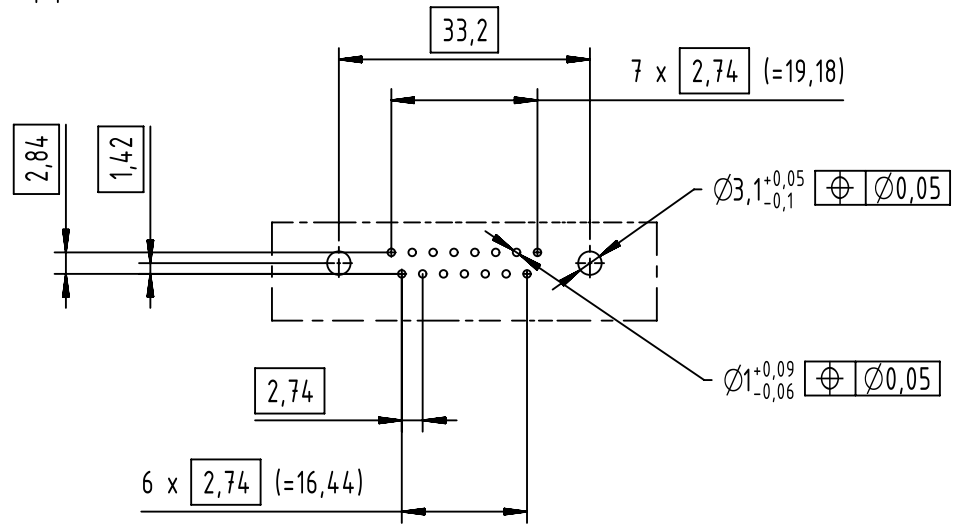
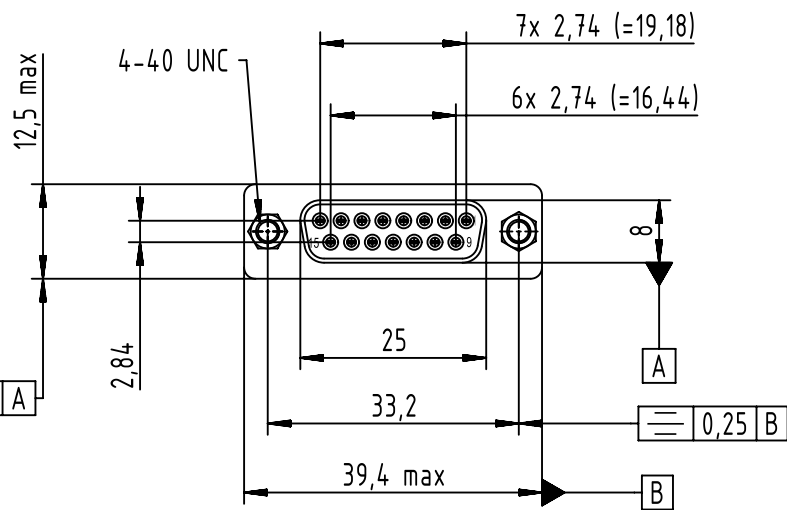


PC-Board layout
view component side
thickness up to 3,2 mm



All Dimensions in mm
Original Size DIN A4

Scale
1:1

Free size tol.

Ref.

Sub.



All rights reserved
Department EC PD - FR

Created by
LAVERGNEC

Inspected by
BAGDIKIAN

Standardisation
HOFFMANN

Date
2014-04-02

State
Final Release

09662547513	3	6	4,20
09662546513	2	6	4,20
09662545513	S4 PdNi	6	4,20
Part number	Performance level	A +/- 0,2	B +/- 0,2

HARTING Electronics GmbH
D-32339 Espelkamp

Title
D-Sub 15-pole straight female press-in

Type
TB

Number
0966254X513

Doc-Key / ECM-Nr.
100571942/UGD/001/A
500000072779

Rev. **A** Page 1/1