


## Helping Customers Innovate, Improve & Grow



### Description

Vectron's VC-801 Crystal Oscillator (XO) is a quartz stabilized square wave generator with a CMOS output. The VC-801 uses fundamental or 3rd overtone crystals resulting in very low jitter performance, and a monolithic IC which improves reliability and reduces cost.

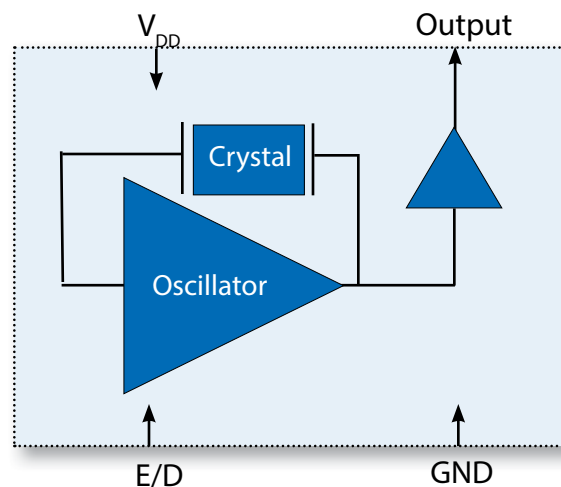
#### Features

- CMOS output XO
- Output Frequencies from 32.768kHz to 125.000MHz
- 5.0, 3.3, 2.5 or 1.8 V Operation
- Low Jitter Performance
- Output Disable Feature
- $\pm 20$ ppm Frequency Stability Available
- Operating Temperature ranging from  $-55^{\circ}\text{C}$  to  $+125^{\circ}\text{C}$
- Small Industry Standard Package, 3.2 x 5.0 x 1.3mm
- Product is compliant to RoHS directive  and fully compatible with lead free assembly

#### Applications

- SONET/SDH/DWDM
- Ethernet, GE, SynchE
- Storage Area Networking
- Fiber Channel
- Digital Video
- Broadband Access
- Base Stations, Picocells

### Block Diagram

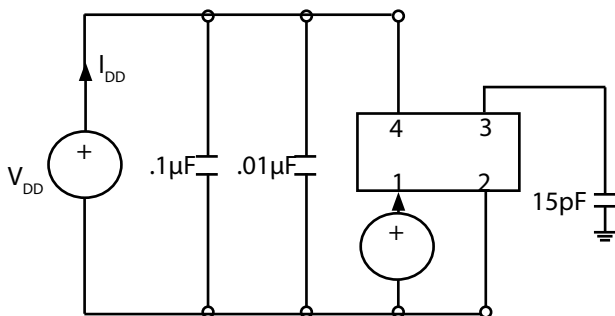


# Specifications

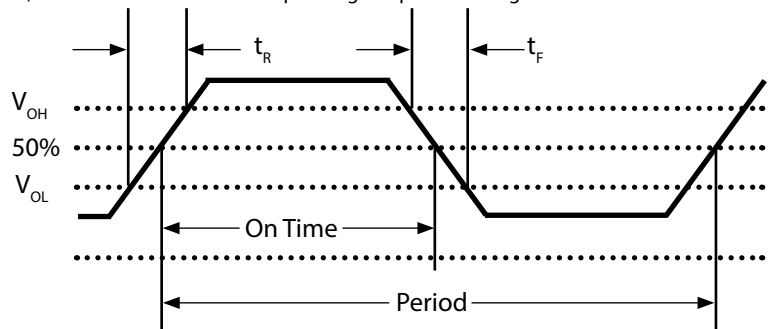
**Table 1. Electrical Performance, 5V Option**

Parameter	Symbol	Min	Typical	Max	Units
<b>Supply Voltage</b>					
Voltage <sup>1</sup>	$V_{DD}$	4.5	5.0	5.5	V
Max Voltage		-0.7		7	V
Current <sup>2</sup> ≤20.000MHz 20.001 to 50.000MHz 50.001 to 75.000MHz	$I_{DD}$			10 30 40	mA mA mA
Current, Output Disabled				30	uA
<b>Frequency</b>					
Nominal Frequency <sup>3</sup>	$f_N$	1.544		75.000	MHz
Stability <sup>4,8</sup> (Ordering Option)		±20, ±25, ±32, ±50, ±100			ppm
<b>Output</b>					
Output Logic Levels <sup>2</sup> Output Logic High Output Logic Low Output Logic High Drive Output Logic Low Drive	$V_{OH}$ $V_{OL}$ $I_{OH}$ $I_{OL}$	0.9* $V_{DD}$  16 16		0.1* $V_{DD}$	V V mA mA
Load				15	pF
Output Rise /Fall Time <sup>2</sup> <20.000MHz 20.000 to 50.000MHz 50.001 to 75.000MHz	$t_R/t_F$			8 5 2	ns ns ns
Output Leakage, Output Disabled	$I_Z$			±10	uA
Duty Cycle <sup>2,5</sup>		45	50	55	%
Period Jitter <sup>6</sup> RMS Peak-Peak	$\phi_J$		3.0 21		ps ps
RMS Jitter, 12kHz-20MHz	$\phi_J$		0.5	1	ps
<b>Enable/Disable</b>					
Output Enable/Disable <sup>7</sup> Output Enable Output Disable	$V_{IH}$ $V_{IL}$	4.0		0.8	V V
Disable time	$t_D$			100	ns
Enable Internal Pull-Up Resistor			100		Kohm
Start-Up Time	$t_{SU}$			8	ms
Operating Temp (Ordering Option)	$T_{OP}$	-10/70, -20/70, -40/85, -40/105, -40/125, -55/105, -55/125			°C

- 1) The power supply should have by-pass capacitors as close to the supply and to ground as possible, for example 0.1 and 0.01uF.
- 2) Parameters are tested with the test circuit shown in Fig 1.
- 3) See Standard Frequencies and Ordering Information tables for more specific information.
- 4) Includes initial accuracy, operating temperature, supply voltage, shock and vibration (not under operation) and aging for ±50 and ±100ppm options.
- 5) Duty Cycle is measured as On Time/Period, see Fig 2.
- 6) Broadband Period Jitter measured using Wavecrest SIA3300C, 90K samples, see Application Note for Typical Phase Noise and Jitter Performance.
- 7) The Output is Enabled if the Enable/Disable is left open.
- 8) Only ±50 and ±100 stability option available for -40/105 °C, -40/125 °C, -55/105 °C and -55/125 °C Operating temperature range.



**Fig 1: Test Circuit**



**Fig 2: Waveform**

# Specifications

**Table 2. Electrical Performance, 3.3V Option**

Parameter	Symbol	Min	Typical	Max	Units
<b>Supply Voltage</b>					
Voltage <sup>1</sup>	$V_{DD}$	2.97	3.30	3.63	V
Max Voltage		-0.5		5.0	V
Current <sup>2</sup> 32.768kHz to 1.499MHz 1.500 to 20.000 MHz 20.001 to 50.000MHz 50.001 to 100.000MHz 100.001 to 125.000MHz	$I_{DD}$			5 7 20 30 40	mA mA mA mA mA
Current, Output Disabled				30	uA
<b>Frequency</b>					
Nominal Frequency <sup>3</sup>	$f_N$	0.032		125.000	MHz
Stability <sup>4,8</sup> (Ordering Option)		±20, ±25, ±32, ±50, ±100			ppm
<b>Output</b>					
Output Logic Levels <sup>2</sup> Output Logic High Output Logic Low Output Logic High Drive Output Logic Low Drive	$V_{OH}$ $V_{OL}$ $I_{OH}$ $I_{OL}$	$0.9 \cdot V_{DD}$  8 8		$0.1 \cdot V_{DD}$	V V mA mA
Load				15	pF
Output Rise /Fall Time <sup>2</sup> 32.768kHz to 345.6kHz 345.6kHz to 20.000MHz 20.001 to 50.000MHz 50.001 to 75.000MHz 75.001 to 125.000MHz	$t_R/t_F$			200 6 4 3 2	ns ns ns ns ns
Output Leakage, Output Disabled	$I_z$			±10	uA
Duty Cycle <sup>2,5</sup>		45	50	55	%
Period Jitter <sup>6</sup> RMS Peak-Peak	$\phi_J$		3.0 21		ps ps
RMS Jitter, 12kHz-20MHz	$\phi_J$		0.5	1	ps
<b>Enable/Disable</b>					
Output Enable/Disable <sup>7</sup> Output Enable Output Disable	$V_{IH}$ $V_{IL}$	2.0		0.5	V V
Disable time	$t_D$			100	ns
Enable Internal Pull-Up Resistor			100		Kohm
Start-Up Time	$t_{SU}$			8	ms
Operating Temp (Ordering Option)	$T_{OP}$	-10/70, -20/70, -40/85, -40/105, -40/125, -55/105, -55/125			°C

- 1] The power supply should have by-pass capacitors as close to the supply and to ground as possible, for example 0.1 and 0.01uF.
- 2] Parameters are tested with the test circuit shown in Fig 1.
- 3] See Standard Frequencies and Ordering Information tables for more specific information.
- 4] Includes initial accuracy, operating temperature, supply voltage, shock and vibration (not under operation) and aging for ±50 and ±100ppm options.
- 5] Duty Cycle is measured as On Time/Period, see Fig 2.
- 6] Broadband Period Jitter measured using Wavecrest SIA3300C, 90K samples, see Application Note for Typical Phase Noise and Jitter Performance.
- 7] The Output is Enabled if the Enable/Disable is left open.
- 8] Only ±50 and ±100 stability option available for -40/105 °C, -40/125 °C, -55/105 °C and -55/125 °C Operating temperature range.

# Specifications

**Table 3. Electrical Performance, 2.5V Option**

Parameter	Symbol	Min	Typical	Max	Units
<b>Supply Voltage</b>					
Voltage <sup>1</sup>	$V_{DD}$	2.25	2.50	2.75	V
Max Voltage		-0.5		5.0	V
Current <sup>2</sup> 32.768kHz to 1.499MHz 1.500 to 20.000 MHz 20.001 to 50.000MHz 50.001 to 75.000MHz 75.001 to 100.000MHz 100.001 to 125.000MHz	$I_{DD}$			5 7 15 20 25 30	mA mA mA mA mA mA
Current, Output Disabled				30	uA
<b>Frequency</b>					
Nominal Frequency <sup>3</sup>	$f_N$	0.032		125.000	MHz
Stability <sup>4,9</sup> (Ordering Option)		$\pm 20, \pm 25, \pm 32, \pm 50, \pm 100$			ppm
<b>Output</b>					
Output Logic Levels <sup>2</sup> Output Logic High Output Logic Low Output Logic High Drive Output Logic Low Drive Output Logic High Drive <sup>8</sup> Output Logic Low Drive <sup>8</sup>	$V_{OH}$ $V_{OL}$ $I_{OH}$ $I_{OL}$ $I_{OH}$ $I_{OL}$	$0.9 \cdot V_{DD}$  4 4 8 8		$0.1 \cdot V_{DD}$	V V mA mA mA mA
Load	$I_{OUT}$			15	pF
Output Rise /Fall Time <sup>2</sup> 32.768kHz to 345.6kHz 345.6kHz to 20.000MHz 20.001 to 50.000MHz 50.001 to 75.000MHz 75.001 to 125.000MHz	$t_R/t_F$			200 6 5 3 2	ns ns ns ns ns
Output Leakage, Output Disabled	$I_Z$			$\pm 10$	uA
Duty Cycle <sup>2,5</sup>		45	50	55	%
Period Jitter <sup>6</sup> RMS Peak-Peak	$\phi_J$		3.0 21		ps ps
RMS Jitter, 12kHz-20MHz	$\phi_J$		0.5	1	ps
<b>Enable/Disable</b>					
Output Enable/Disable <sup>7</sup> Output Enable Output Disable	$V_{IH}$ $V_{IL}$	1.75		0.5	V V
Disable time	$t_D$			100	ns
Enable Internal Pull-Up Resistor			100		Kohm
Start-Up Time	$t_{SU}$			8	ms
Operating Temp (Ordering Option)	$T_{OP}$	-10/70, -20/70, -40/85, -40/105, -40/125, -55/105, -55/125			°C

- 1] The power supply should have by-pass capacitors as close to the supply and to ground as possible, for example 0.1 and 0.01uF.
- 2] Parameters are tested with the test circuit shown in Fig 1.
- 3] See Standard Frequencies and Ordering Information tables for more specific information.
- 4] Includes initial accuracy, operating temperature, supply voltage, shock and vibration (not under operation) and aging for  $\pm 50$  and  $\pm 100$ ppm options.
- 5] Duty Cycle is measured as On Time/Period, see Fig 2.
- 6] Broadband Period Jitter measured using Wavcrest SIA3300C, 90K samples, see Application Note for Typical Phase Noise and Jitter Performance.
- 7] The Output is Enabled if the Enable/Disable is left open.
- 8] For 3rd overtone crystal designs.
- 9] Only  $\pm 50$  and  $\pm 100$  stability option available for -40/105 °C, -40/125 °C, -55/105 °C and -55/125 °C Operating temperature range.

**Table 4. Electrical Performance, 1.8V Option**

Parameter	Symbol	Min	Typical	Max	Units
<b>Supply Voltage</b>					
Voltage <sup>1</sup>	$V_{DD}$	1.71	1.80	1.89	V
Max Voltage		-0.5		3.6	V
Current <sup>2</sup> 1.544 to 20.000 MHz 20.001 to 70.000MHz 70.001 to 100.000MHz 100.001 to 125.000MHz	$I_{DD}$			5 15 20 25	mA mA mA mA
Current, Output Disabled				30	uA
<b>Frequency</b>					
Nominal Frequency <sup>3</sup>	$f_N$	1.544		125.000	MHz
Stability <sup>4,9</sup> (Ordering Option)		$\pm 20, \pm 25, \pm 32, \pm 50, \pm 100$			ppm
<b>Output</b>					
Output Logic Levels <sup>2</sup> Output Logic High Output Logic Low Output Logic High Drive Output Logic Low Drive Output Logic High Drive <sup>8</sup> Output Logic Low Drive <sup>8</sup>	$V_{OH}$ $V_{OL}$ $I_{OH}$ $I_{OL}$ $I_{OH}$ $I_{OL}$	$0.9 * V_{DD}$  2.8 2.8 8 8		$0.1 * V_{DD}$	V V mA mA mA mA
Load				15	pF
Output Rise /Fall Time <sup>2</sup> 1.544 to 20.000MHz 20.001 to 50.000MHz 50.001 to 125.000MHz	$t_R/t_F$			6 5 3	ns ns ns
Output Leakage, Output Disabled	$I_Z$			$\pm 10$	uA
Duty Cycle <sup>2,5</sup>		45	50	55	%
Period Jitter <sup>6</sup> RMS Peak-Peak	$\phi J$		3.0 21		ps ps
RMS Jitter, 12kHz-20MHz	$\phi J$		0.5	1	ps
<b>Enable/Disable</b>					
Output Enable/Disable <sup>7</sup> Output Enable Output Disable	$V_{IH}$ $V_{IL}$	1.26		0.5	V V
Disable time	$t_D$			100	ns
Enable Internal Pull-Up Resistor			1		Mohm
Start-Up Time	$t_{SU}$			8	ms
Operating Temp (Ordering Option)	$T_{OP}$	-10/70, -20/70, -40/85, -40/105, -40/125, -55/105, -55/125			°C

1] The power supply should have by-pass capacitors as close to the supply and to ground as possible, for example 0.1 and 0.01uF.

2] Parameters are tested with the test circuit shown in Fig 1.

3] See Standard Frequencies and Ordering Information tables for more specific information.

4] Includes initial accuracy, operating temperature, supply voltage, shock and vibration (not under operation) and aging for  $\pm 50$  and  $\pm 100$ ppm options.

5] Duty Cycle is measured as On Time/Period, see Fig 2.

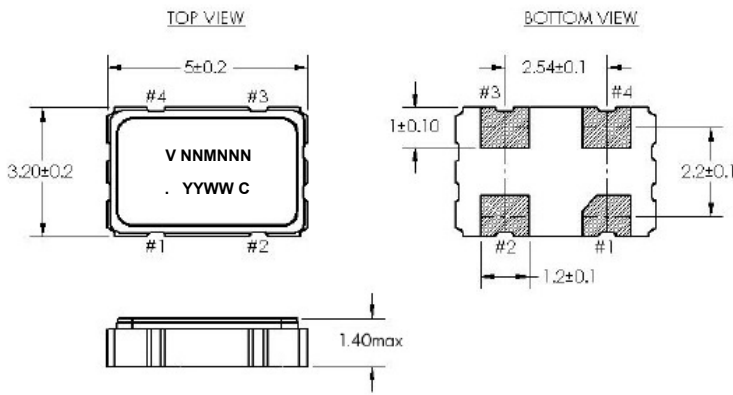
6] Broadband Period Jitter measured using Wavecrest SIA3300C, 90K samples, see Application Note for Typical Phase Noise and Jitter Performance.

7] The Output is Enabled if the Enable/Disable is left open.

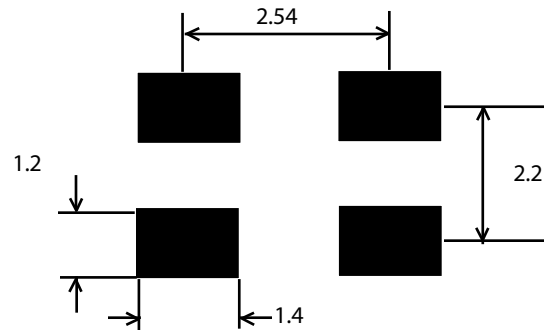
8] For 3rd overtone crystal designs.

9] Only  $\pm 50$  and  $\pm 100$  stability option available for -40/105 °C, -40/125 °C, -55/105 °C and -55/125 °C Operating temperature range.

# Outline Drawing & Pad Layout



All dimensions in mm



**Table 5. Pin Out**

Pin	Symbol	Function
1	E/D	Enable Disable
2	GND	Case and Electrical Ground
3	Output	Output
4	$V_{DD}$	Power Supply Voltage

## Reliability

VI qualification includes aging at various extreme temperatures, shock and vibration, temperature cycling, and IR reflow simulation. The VC-801 family is capable of meeting the following qualification tests:

**Table 6. Environmental Compliance**

Parameter	Conditions
Mechanical Shock	MIL-STD-883, Method 2002
Mechanical Vibration	MIL-STD-883, Method 2007
Solderability	MIL-STD-883, Method 2003
Gross and Fine Leak	MIL-STD-883, Method 1014
Resistance to Solvents	MIL-STD-883, Method 2015
Moisture Sensitivity Level	MSL 1
Contact Pads	Gold over Nickel

Although ESD protection circuitry has been designed into the VC-801 proper precautions should be taken when handling and mounting. VI employs a human body model (HBM) and a charged device model (CDM) for ESD susceptibility testing and design protection evaluation.

**Table 7. ESD Ratings**

Model	Minimum	Conditions
Human Body Model	1500V	MIL-STD-883, Method 3015
Charged Device Model	1000V	JESD22-C101

Stresses in excess of the absolute maximum ratings can permanently damage the device. Functional operation is not implied at these or any other conditions in excess of conditions represented in the operational sections of this datasheet. Exposure to absolute maximum ratings for extended periods may adversely affect device reliability. Permanent damage is also possible if E/D is applied before  $V_{DD}$ .

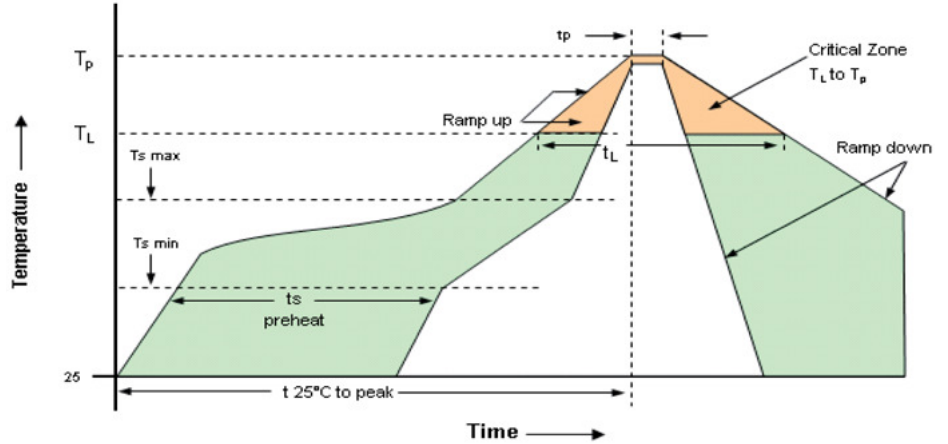
**Table 8. Absolute Maximum Ratings**

Parameter	Symbol	Ratings	Unit
Storage Temperature	$T_S$	-55 to 125	°C
Soldering Temp/Time	$T_{LS}$	260 / 30	°C / sec

# IR Reflow

## Solderprofile:

The VC-801 is qualified to meet the JEDEC standard for Pb-Free assembly. The temperatures and time intervals listed are based on the Pb-Free small body requirements. The VC-801 device is hermetically sealed so an aqueous wash is not an issue.



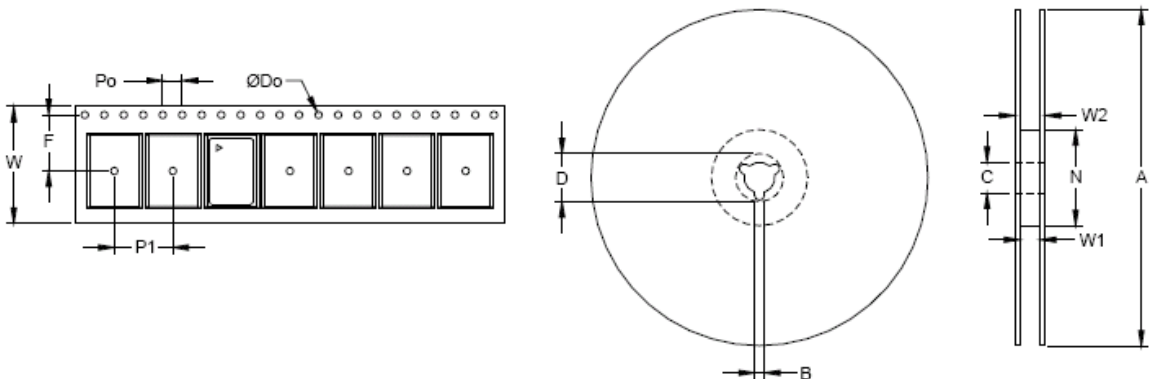
**Table 9. Reflow Profile**

Parameter	Symbol	Value
PreHeat Time Ts-min Ts-max	$t_s$	60 sec Min, 260 sec Max 150°C 200°C
Ramp Up	$R_{UP}$	3 °C/sec Max
Time Above 217 °C	$t_L$	60 sec Min, 150 sec Max
Time To Peak Temperature	$T_{AMB-P}$	480 sec Max
Time at 260 °C	$t_p$	30 sec Max
Ramp Down	$R_{DN}$	6 °C/sec Max

## Tape and Reel

**Table 10 . Tape and Reel Dimensions**

Tape Dimensions (mm)						Reel Dimensions (mm)							# Per Reel
Dimension	W	F	Do	Po	P1	A	B	C	D	N	W1	W2	
Tolerance	Typ	Typ	Typ	Typ	Typ	Typ	Min	Typ	Min	Min	Typ	Max	
VC-801	16	7.5	1.5	4	8	180	2	13	21	60	17	21	1000

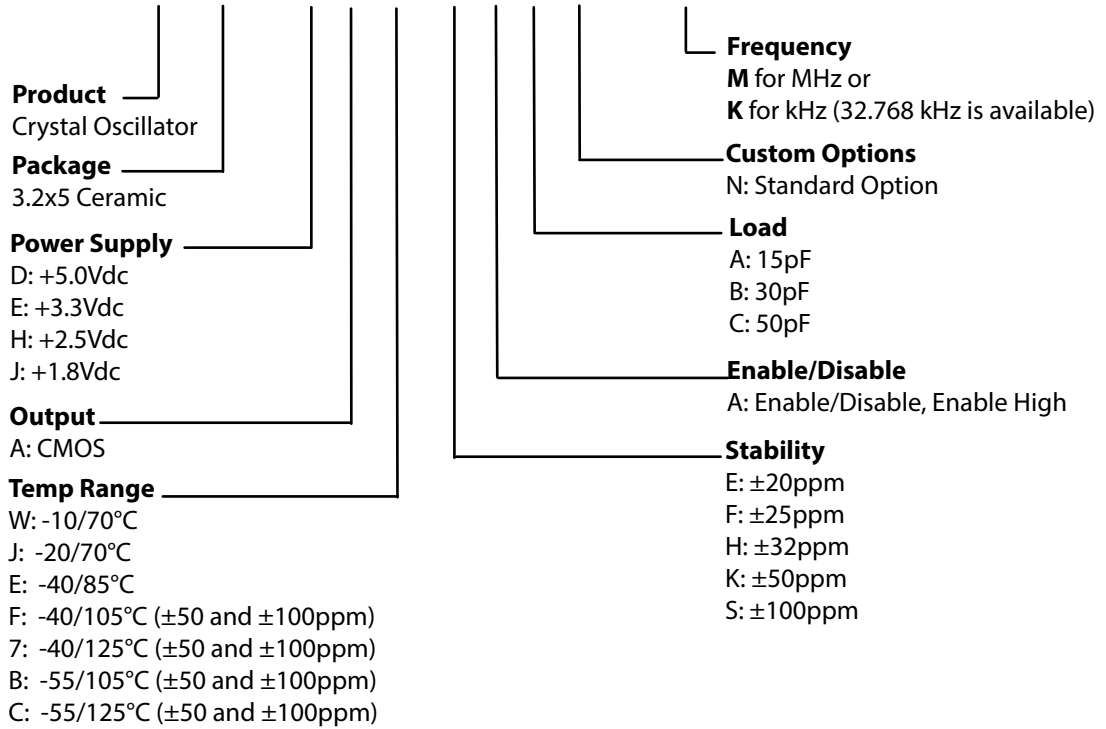


**Table 11. Standard Output Frequencies (MHz)**

9.8304	10.000	11.0590	11.0596	11.2896	12.000	12.272	12.288
12.353	13.000	13.500	13.560	14.318	14.7456	16.000	16.376
16.384	16.777216	16.800	17.734	17.734475	18.432	19.440	19.660
19.800	20.000	20.480	22.000	22.5792	24.000	24.5453	24.576
25.000	26.000	27.000	27,120	28.686	28.375	30.000	32.000
32.768	33.000	33.333	34.368	36.000	37.056	47.500	40.000
42.500	44.000	44.736	48.000	48.090	50.000	54.000	60.000
62.500	66.000	66.666	75.000	80.000	100.000	125.000	

## Ordering Information

### VC-801- E A W- K A A N- xxMxxxxxxx



**Example: VC-801-EAW-KAAN-125M000000**

*\*Note: not all combination of options are available. Other specifications may be available upon request. Please consult with factory.*

**\* Add SNPBDIP for tin lead solder dip**

**Example: VC-801-EAW-KAAN-125M000000\_SNPBDIP**



# Revision History

Revision Date	Approved	Description
October 17, 2014	VN	Modified package drawing to reflect 1.40mm maximum height. Added Revision History Table.
January 20, 2015	VN	Included ordering options for -40/105°C, -40/125°C and -55/105°C Operating temperature ranges
August 10, 2018	FB	Update log and ordering information, Add SNPDIP ordering information,



Microsemi, a wholly owned subsidiary of Microchip Technology Inc. (Nasdaq: MCHP), offers a comprehensive portfolio of semiconductor and system solutions for aerospace & defense, communications, data center and industrial markets. Products include high-performance and radiation-hardened analog mixed-signal integrated circuits, FPGAs, SoCs and ASICs; power management products; timing and synchronization devices and precise time solutions, setting the world's standard for time; voice processing devices; RF solutions; discrete components; enterprise storage and communication solutions, security technologies and scalable anti-tamper products, Ethernet solutions, Power-over-Ethernet ICs and midspans, as well as custom design capabilities and services. Learn more at [www.microsemi.com](http://www.microsemi.com).

**Microsemi Headquarters**  
One Enterprise, Aliso Viejo, CA 92656 USA  
Within the USA: +1 (800) 713-4113  
Outside the USA: +1 (949) 380-6100  
Sales: +1 (949) 380-8136  
Fax: +1 (949) 215-4996  
email: [sales.support@microsemi.com](mailto:sales.support@microsemi.com)  
[www.microsemi.com](http://www.microsemi.com)

Microsemi makes no warranty, representation, or guarantee regarding the information contained herein or the suitability of its products and services for any particular purpose, nor does Microsemi assume any liability whatsoever arising out of the application or use of any product or circuit. The products sold hereunder and any other products sold by Microsemi have been subject to limited testing and should not be used in conjunction with mission-critical equipment or applications. Any performance specifications are believed to be reliable but are not verified, and Buyer must conduct and complete all performance and other testing of the products, alone and together with, or installed in, any end-products. Buyer shall not rely on any data and performance specifications or parameters provided by Microsemi. It is the Buyer's responsibility to independently determine suitability of any products and to test and verify the same. The information provided by Microsemi hereunder is provided "as is, where is" and with all faults, and the entire risk associated with such information is entirely with the Buyer. Microsemi does not grant, explicitly or implicitly, to any party any patent rights, licenses, or any other IP rights, whether with regard to such information itself or anything described by such information. Information provided in this document is proprietary to Microsemi, and Microsemi reserves the right to make any changes to the information in this document or to any products and services at any time without notice.

©2018 Microsemi, a wholly owned subsidiary of Microchip Technology Inc. All rights reserved. Microsemi and the Microsemi logo are registered trademarks of Microsemi Corporation. All other trademarks and service marks are the property of their respective owners.