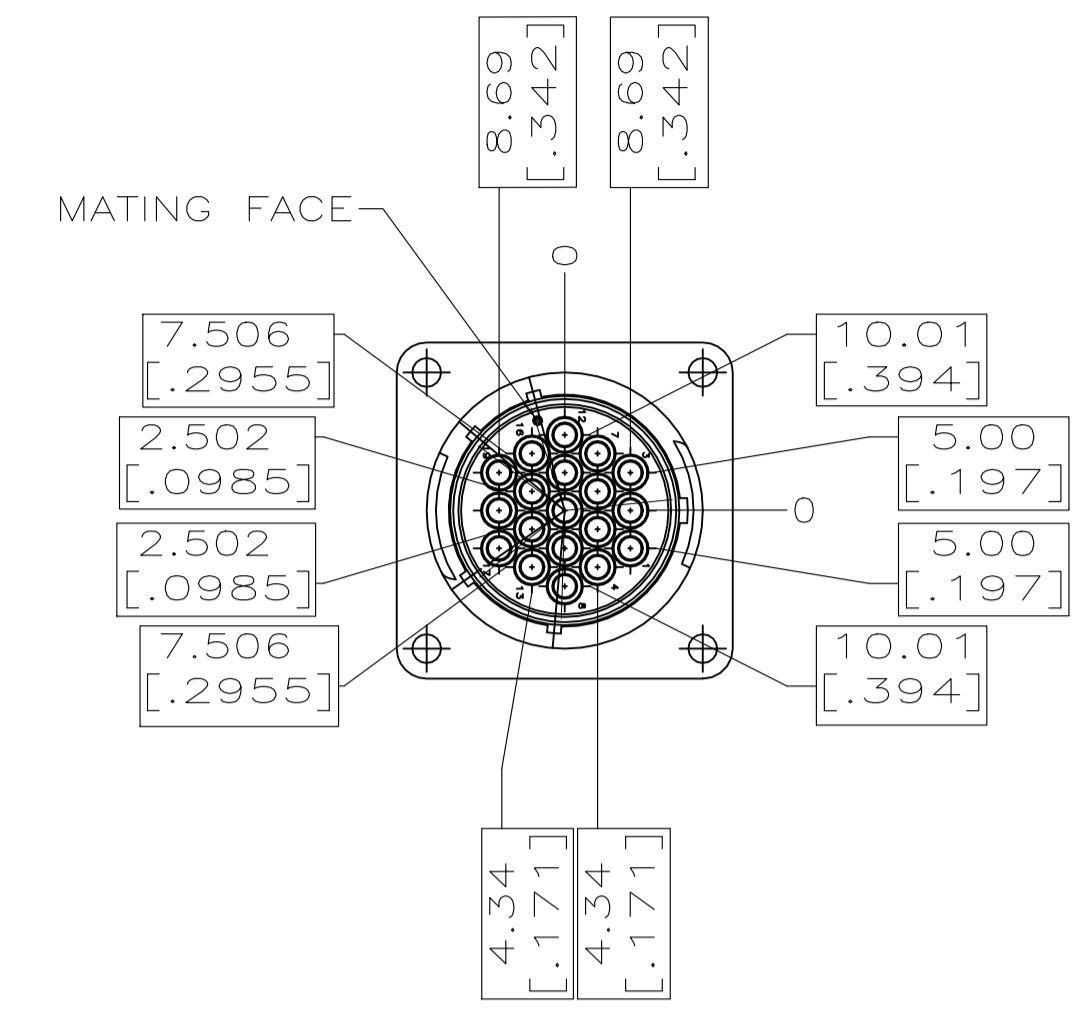
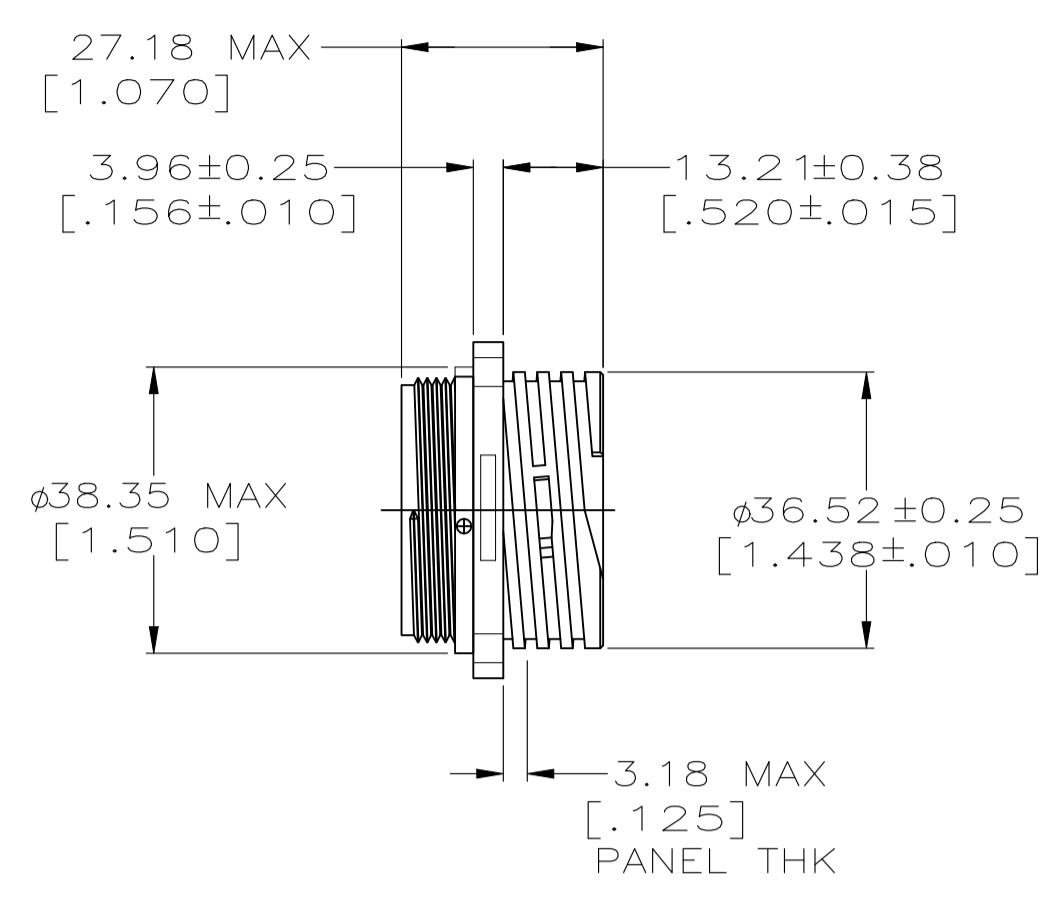
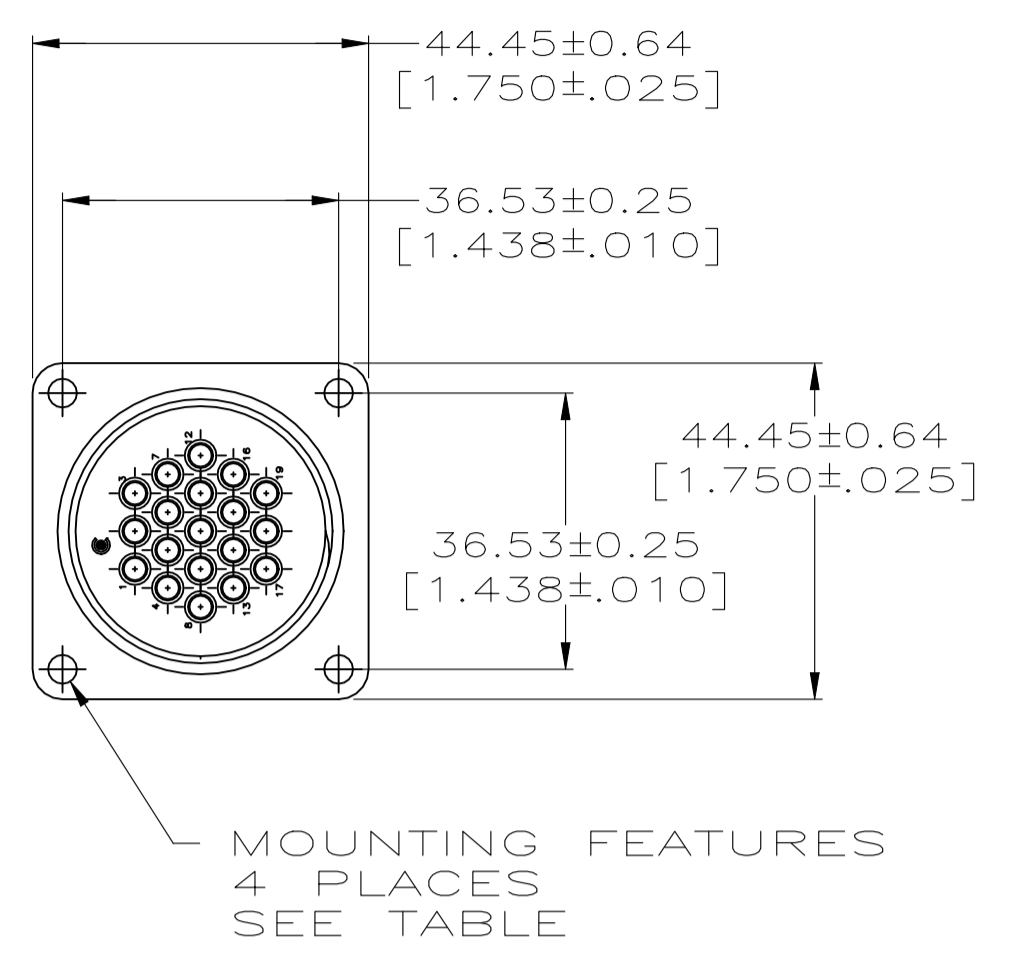
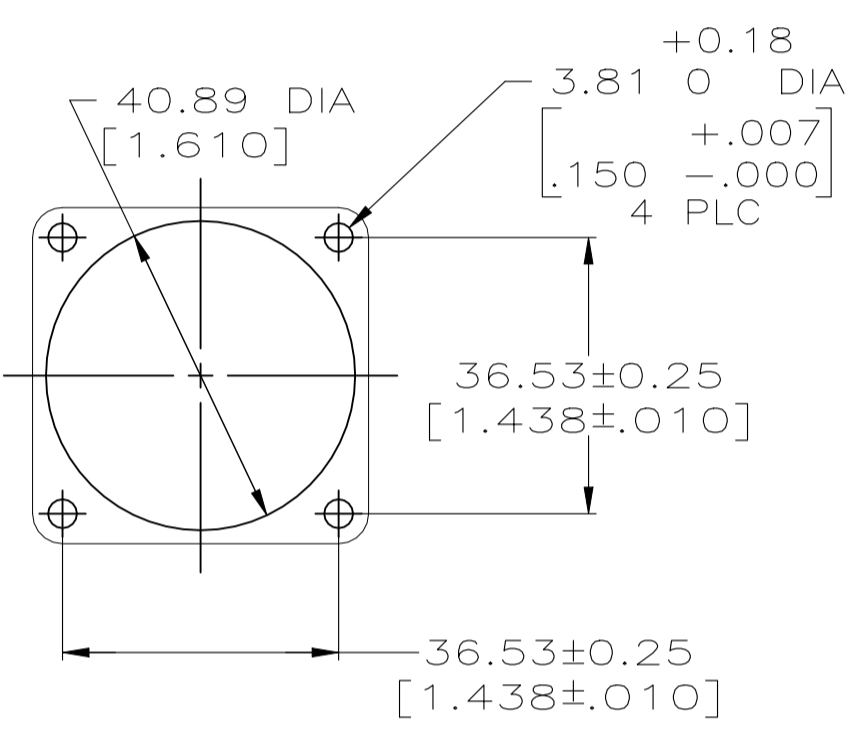


REVISIONS				
REV	DESCRIPTION	DATE	BY	APP'D
J1	REVISED PER ECN-23-199892	01MAR2023	RK	MZ

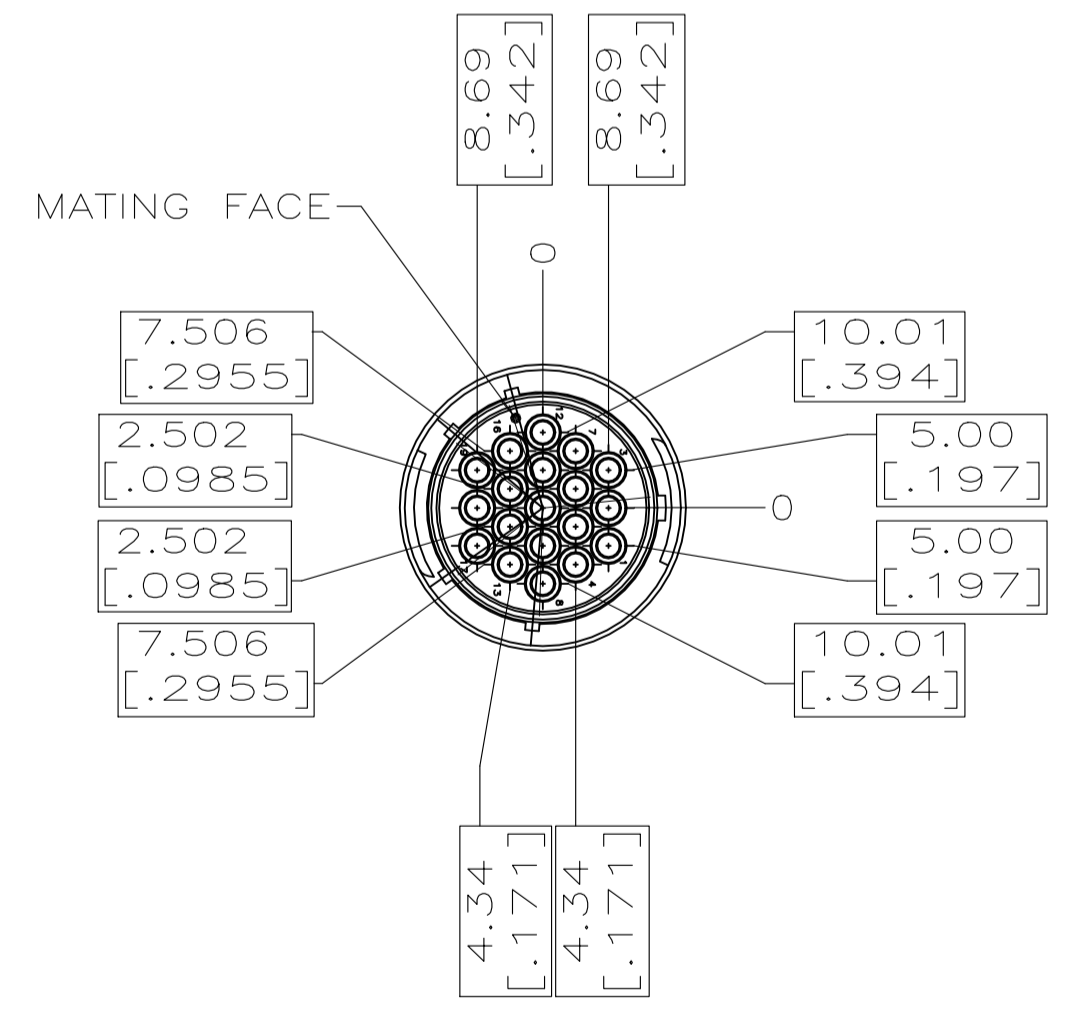
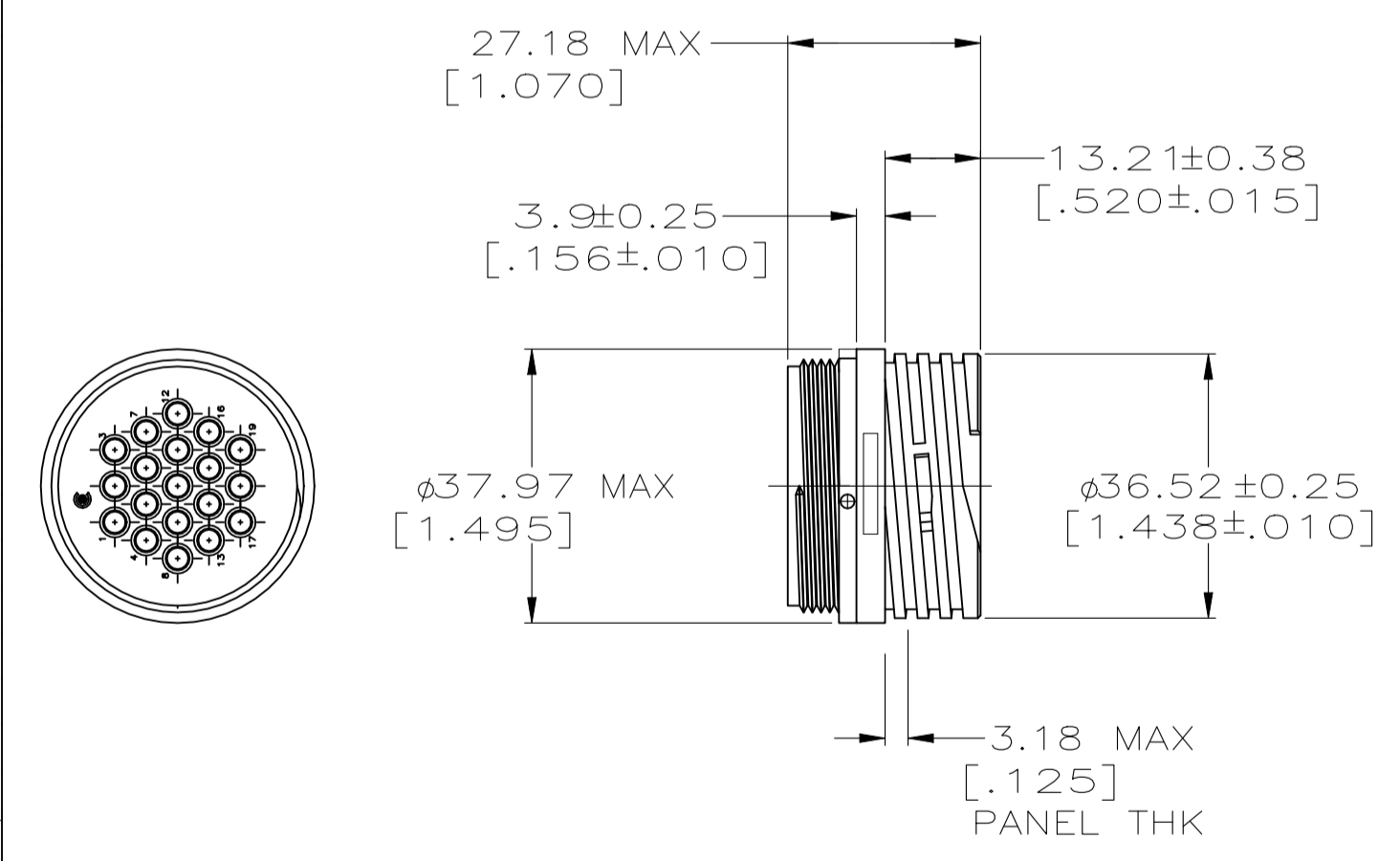


- NOTES:
- WILL ACCEPT (19) MULTIMATE SOCKET CONTACTS.
 - CONTACT CAVITIES IDENTIFIED BY CHARACTERS ON FRONT AND REAR FACES OF CONNECTOR.
 - 3.81[.150] MAX INSULATION DIAMETER.
 - 2.54[.100] MAX INSULATION DIAMETER.
 - MATERIALS:
HOUSING USED ON 211773-1, 211773-2, 211773-7: PA66, BLACK
HOUSING USED ON 211773-8 : POLYESTER, BLACK
PERIPHERAL SEAL: NITRILE BUTADIENE RUBBER, BLACK
THREADED INSERTS: BRASS

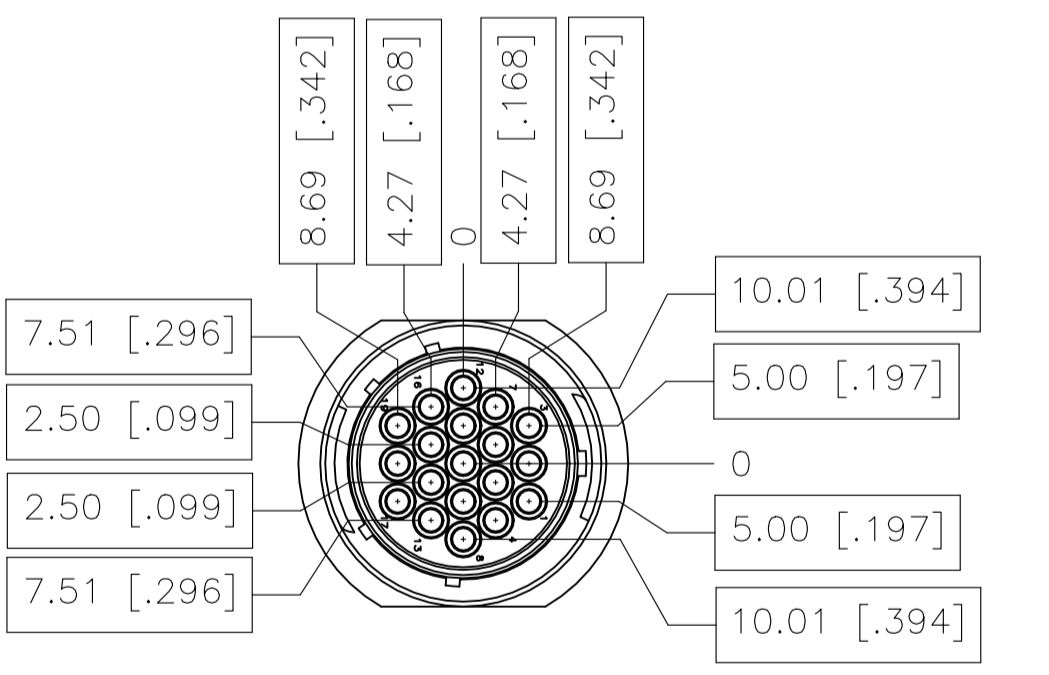
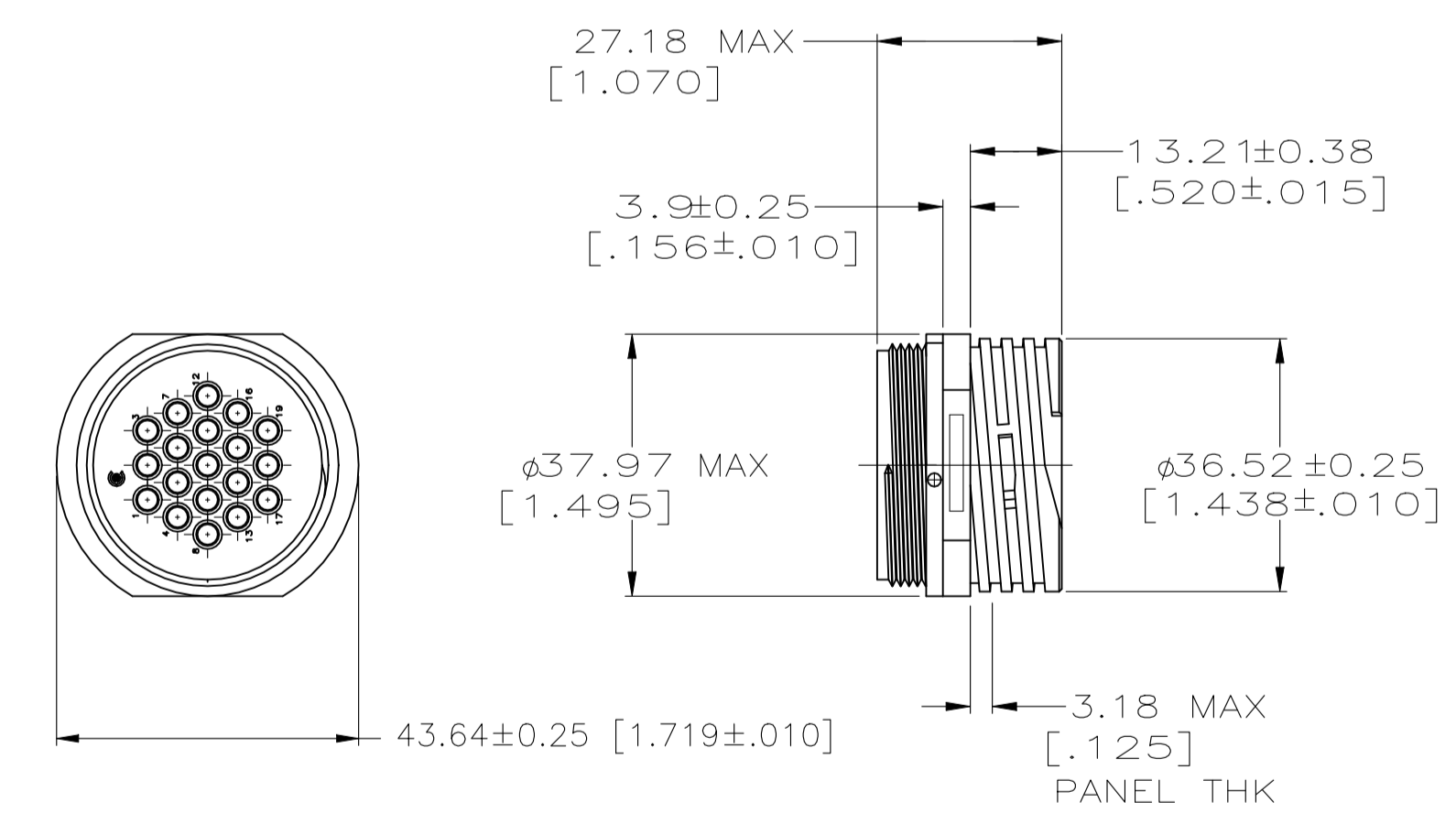


211773-1, 211773-2, 211773-6, 211773-7 & 211773-8

PANEL CUTOUT



211773-4



211773-5

	NO	211773-8
	NO	211773-7
OBSOLETE	YES	211773-6
OBSOLETE	NO	211773-5
OBSOLETE	NO	211773-4
4	NO	211773-2
4	NO	211773-1
MOUNTING FEATURES		PERIPHERAL SEAL
		PART NUMBER

THIS DRAWING IS A CONTROLLED DOCUMENT.

DIMENSIONS:	TOLERANCES UNLESS OTHERWISE SPECIFIED:	REV	DATE	BY	APP'D
mm	0 PLC ± -	02JAN01		S. URICH	
	1 PLC ± -	02JAN01		M. CHACO	
	2 PLC ± 0.13[.005]			M. CHACO	
	3 PLC ± -				
	4 PLC ± -				
	ANGLES ± -				

MATERIAL: 5 FINISH: -

APPROVED: M. CHACO

APPLICATION SPEC: -

SIZE: A1

WEIGHT: -

CAGE CODE: 00779

DRAWING NO: 211773

RESTRICTED TO: -

CUSTOMER DRAWING

SCALE: 1:1

SHEET: 1 of 1

REV: J1

TE Connectivity

RECEPTACLE HOUSING, REVERSE SEX, SERIES 1, SHELL SIZE 23, CPC