

HC-STA-B16-HLFS-BLANK-EL-AL - Housing



1419905

<https://www.phoenixcontact.com/pc/products/1419905>

Please be informed that the data shown in this PDF document is generated from our online catalog. Please find the complete data in the user documentation. Our general terms of use for downloads are valid.



Sleeve housing B16, for single locking latch, material: Die-cast aluminum, salt water resistant, variable, height: 60 mm, cable gland: none, Standard, Without thread opening for screw connection

Product description

Sleeve housing, without screw thread

Your advantages

- Good shielding in the event of electromagnetic interference

Commercial data

Item number	1419905
Packing unit	1 pc
Minimum order quantity	1 pc
Product key	BF7APB
Catalog page	Page 620 (C-2-2019)
GTIN	4055626201283
Weight per piece (including packing)	212.3 g
Weight per piece (excluding packing)	212.3 g
Customs tariff number	85389099
Country of origin	CN

1419905

<https://www.phoenixcontact.com/pc/products/1419905>

Technical data


Notes

General	For contact inserts HC-B16, BB32, D40, DD72, HS6, HV6, M, K
General	also available as a powder-coated or color version: 1373049 HC-STA-B16-HLFS-BLANK-EL/...

Product properties

Type	B16
Product type	Housing with locking latch
Application	Standard
Housing type	Sleeve housing
Cable outlet	variable
Pg screw connection	none

Dimensions

Dimensional drawing	
Width	44 mm
Height	60 mm
Length	93.5 mm

Material specifications

Housing surface material	uncoated
Impact strength	IK08
Housing material	Die-cast aluminum, salt water resistant

Mechanical properties

Mechanical data

Locking type	Pin
--------------	-----

Environmental and real-life conditions

Ambient conditions

Degree of protection	IP66
	IP67
Degree of protection (NEMA)	4 (UL 50e)
	4X (UL 50e)
	12 (UL 50e)
Impact strength	IK08
Ambient temperature (operation)	-40 °C ... 125 °C

HC-STA-B16-HLFS-BLANK-EL-AL - Housing

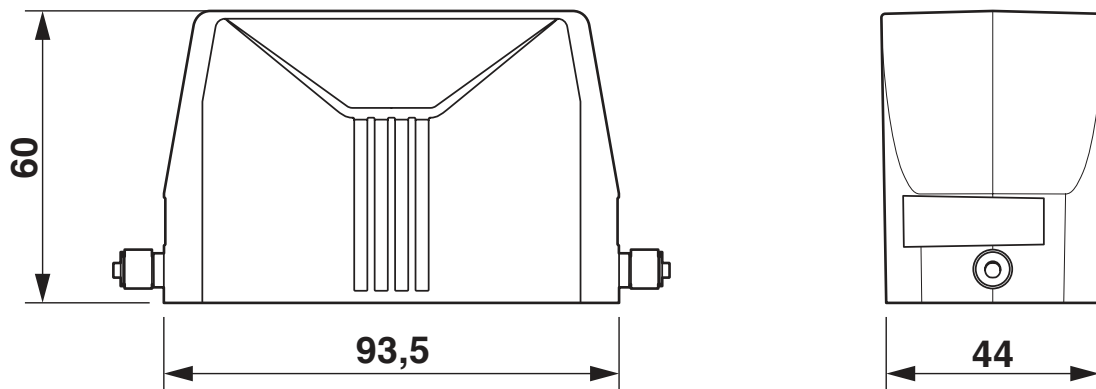
1419905

<https://www.phoenixcontact.com/pc/products/1419905>



Drawings

Dimensional drawing



Dimensional drawing

1419905

<https://www.phoenixcontact.com/pc/products/1419905>

Approvals

🔗 To download certificates, visit the product detail page: <https://www.phoenixcontact.com/pc/products/1419905>

DNV

Approval ID: TAE000037S

ERC

EAC

Approval ID: RU C-DE.AI30.B.01102

ERC

EAC

Approval ID: RU C-DE.BL08.B.00511

1419905

<https://www.phoenixcontact.com/pc/products/1419905>

Classifications

ECLASS

ECLASS-11.0	27440202
ECLASS-12.0	27440202
ECLASS-13.0	27440202

ETIM

ETIM 8.0	EC000437
----------	----------

UNSPSC

UNSPSC 21.0	31261500
-------------	----------

HC-STA-B16-HLFS-BLANK-EL-AL - Housing



1419905

<https://www.phoenixcontact.com/pc/products/1419905>

Environmental product compliance

China RoHS	Environmentally friendly use period: unlimited = EFUP-e
	No hazardous substances above threshold values

HC-STA-B16-HLFS-BLANK-EL-AL - Housing



1419905

<https://www.phoenixcontact.com/pc/products/1419905>

Accessories

US-EMLP (20X9) CUS - Plastic label

0830085

<https://www.phoenixcontact.com/pc/products/0830085>



Plastic label, can be ordered: by card, white, labeled according to customer specifications, mounting type: adhesive, lettering field size: 20 x 9 mm, Number of individual labels: 75

HC-B16-HCWS-PLR-BK - Protective cover

1346541

<https://www.phoenixcontact.com/pc/products/1346541>



Protective cover B16, with single locking latch, protective cover material: PC, height: 26.3 mm, seal: yes

HC-STA-B16-HLFS-BLANK-EL-AL - Housing



1419905

<https://www.phoenixcontact.com/pc/products/1419905>

US-EMLP-HA (20X9) - Plastic label

0830989

<https://www.phoenixcontact.com/pc/products/0830989>

Plastic label, Card, white, unlabeled, can be labeled with: BLUEMARK ID COLOR, BLUEMARK ID, THERMOMARK PRIME, THERMOMARK CARD 2.0, THERMOMARK CARD, mounting type: adhesive, lettering field size: 20 x 9 mm, Number of individual labels: 70



Phoenix Contact 2023 © - all rights reserved

<https://www.phoenixcontact.com>

PHOENIX CONTACT GmbH & Co. KG

Flachsmarktstraße 8

D-32825 Blomberg

+49 (0) 5235-3 00

info@phoenixcontact.com