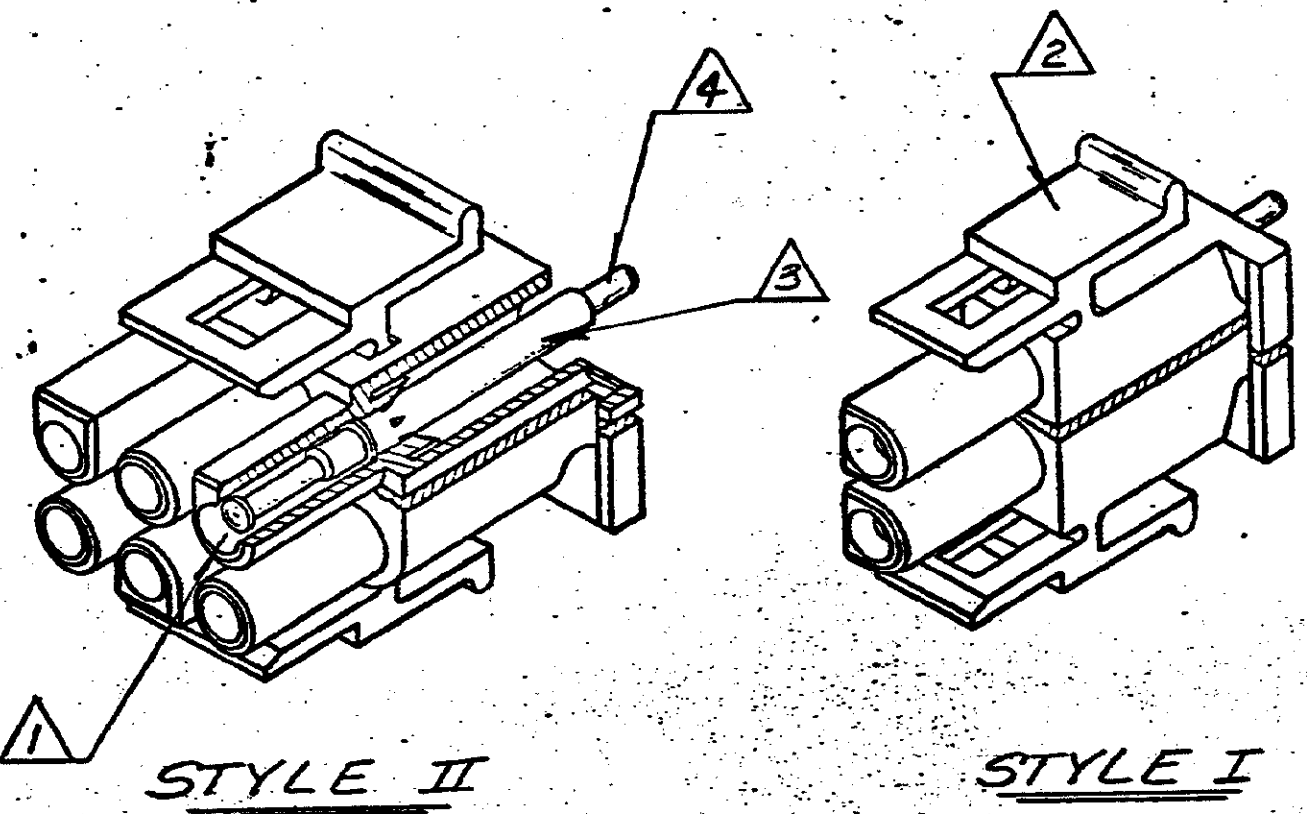


REVISIONS					
REV	ZONE	LTR	DESCRIPTION	DATE	APPROVED
1	A2		REVISED PER ECO-11-005294	05APR11	HMR



- 1 SPRING LOADED TEST PROBE
- 2 PLUG HOUSING - FLAME RETARDANT NYLON (94V-0 RATING), FINISH - NATURAL
- 3 TEST PROBE RECEPTACLE. MATERIAL - BRASS, FINISH - PRE-TIN
- 4 ACCEPTS UNIVERSAL MATE-N-LOK SOCKETS.

STYLE	NO OF CIRCUITS	PART NO
II	15	1-350848-5
II	12	1-350848-2
II	9	350848-9
II	6	350848-6
I	5	350848-5
I	4	350848-4
I	3	350848-3
I	2	350848-2

UNLESS OTHERWISE SPECIFIED DIMENSIONS ARE IN INCHES. TOLERANCES ON: DECIMALS ± ANGLES ±	CONTRACT NO	TE Connectivity	
	MATERIAL		
FINISH	CHK <i>[Signature]</i> 8-17-75	NAME UNIVERSAL MATE-N-LOK PLUG TEST ASSEMBLY	
	APPO <i>[Signature]</i> 8/28/75	APPO	APPO
	OSGN APPO	SIZE B	CODE IDENT NO 00779
	OTHER APPO	DRAWING NO 350848	SHEET
		SCALE	