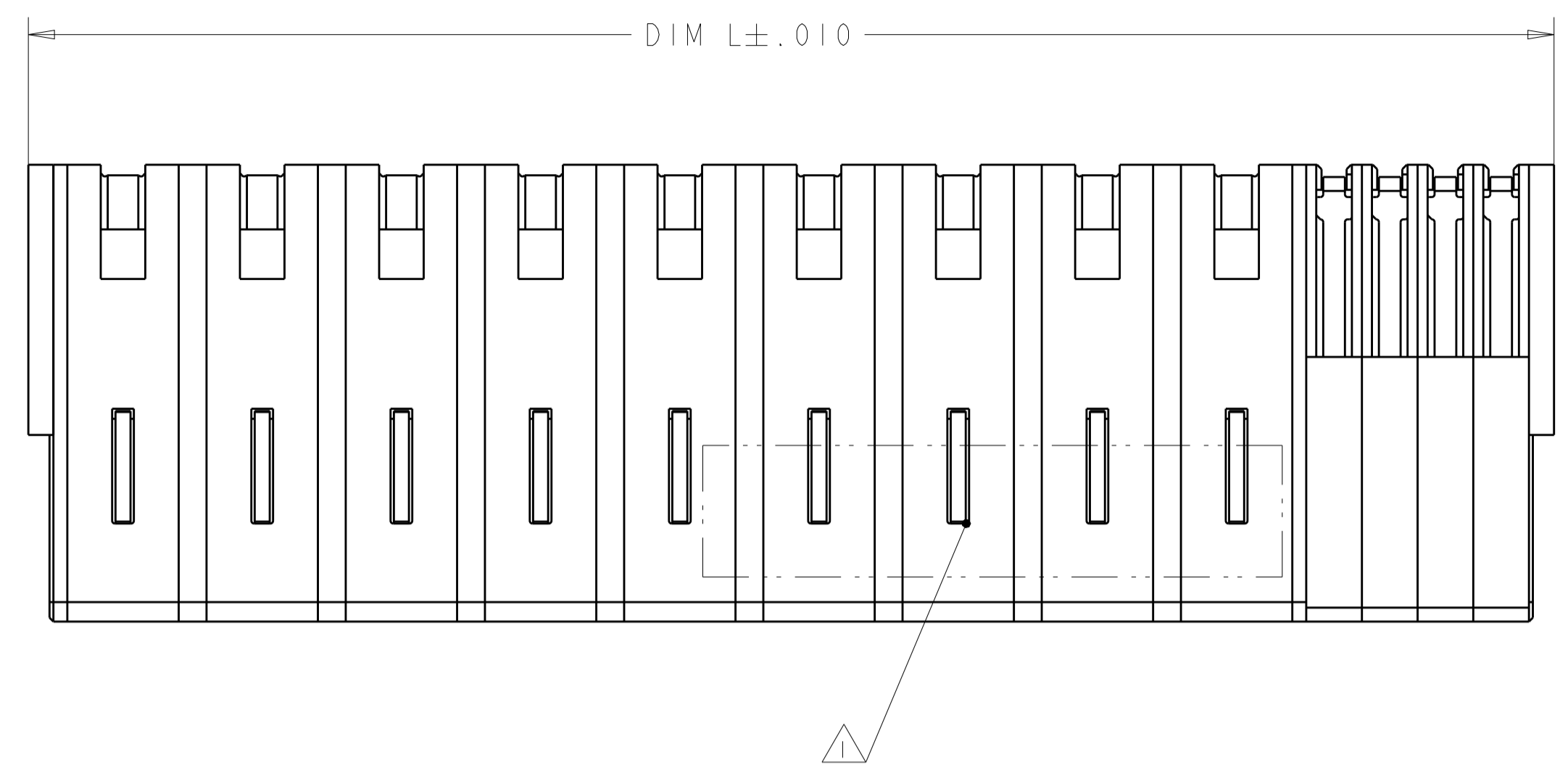
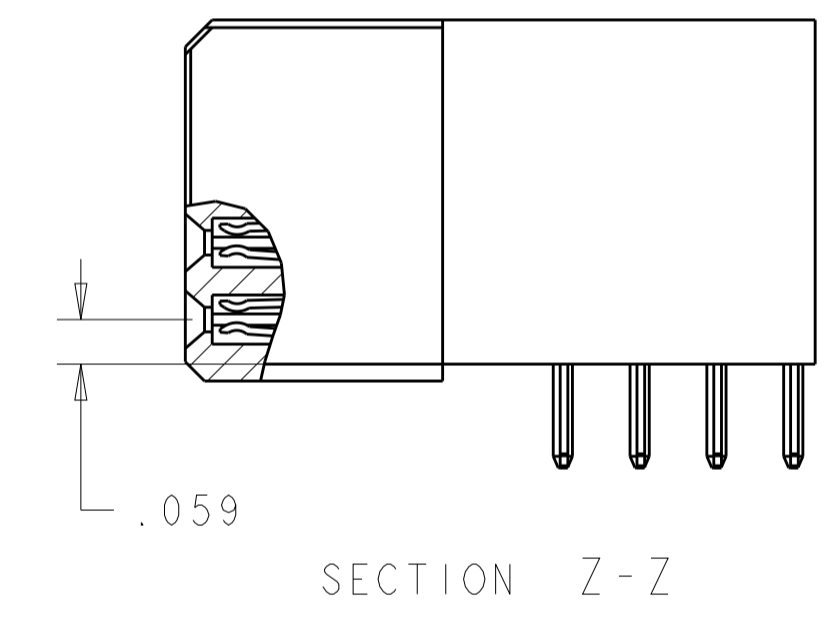
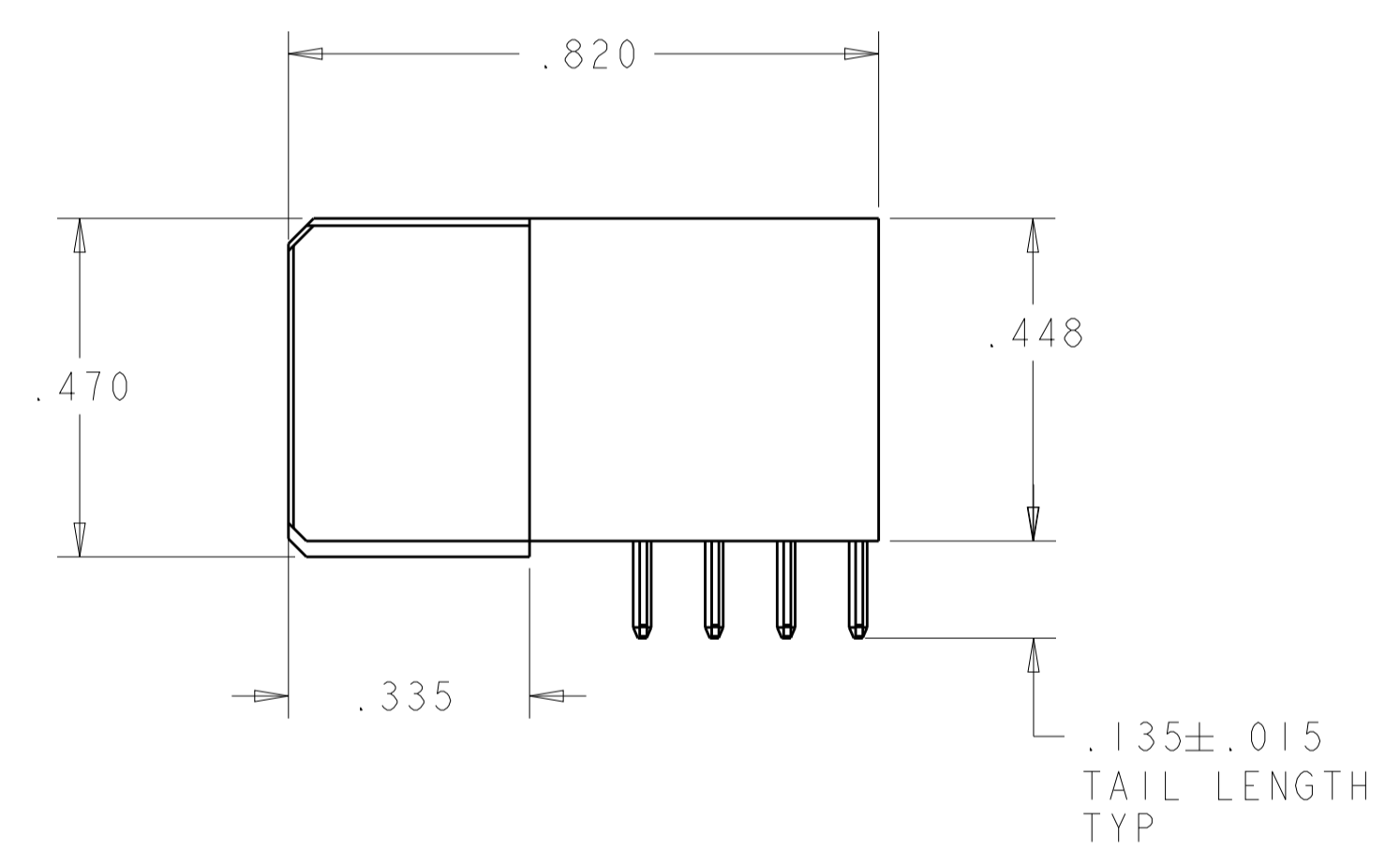
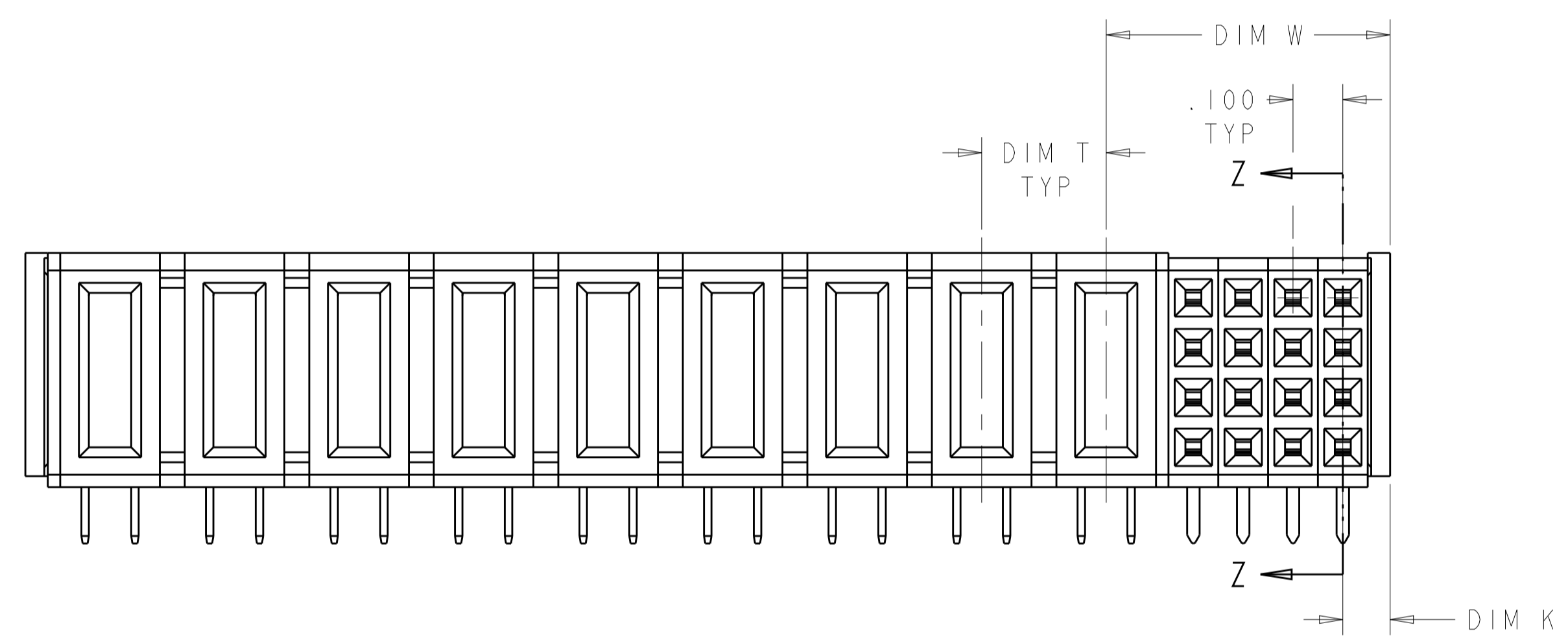


LOC	DIST	REVISIONS					
		P	LTN	DESCRIPTION	DATE	DWN	APVD
ES	00	A		REV PER ECR-07-009452	24APR2007	CZ	SY
		A1		REV PER ECR-07-014423	18JUN207	CZ	SY
		A2		ADVISED	16MAR2013	ML	SZ



- 1 "AMP", PART NUMBER, AND DATE CODE TO BE MARKED IN AREA SHOWN.
- 2 MATERIAL: HOUSING - GLASS FILLED HIGH TEMP THERMO PLASTIC, UL94 V-0
 SIGNAL CONTACT - HIGH CONDUCTIVITY COPPER ALLOY
 POWER CONTACT - HIGH CONDUCTIVITY COPPER ALLOY
- 3 CONTACT PLATING: NOBLE METAL PLATING ON CONTACT FUNCTIONAL AREA OF POWER AND SIGNAL CONTACTS
- 4 MECHANICAL CONNECTOR KEEP OUT ZONE.
- 5 DATUM AND BASIC DIMENSIONS ESTABLISHED BY CUSTOMER.
- 6 PCB - ALL HOLE DIAMETERS ARE FINISHED HOLE SIZES.
- 7 PCB - .0453 +/- .0010 DRILLED HOLES PLATED WITH .0003 MIN Sn OVER .001 TO .003 PLATING TO ACHIEVE A .040 DIA. HOLE.



.250	.370	.095	2.290	8S + 8P	6450165-2
.250	.570	.095	2.740	16S + 9P	6450165-1
DIM T	DIM W	DIM K	DIM L	DESCRIPTION	PART NUMBER

<small>THIS DRAWING IS UNPUBLISHED. RELEASED FOR PUBLICATION 20. THIS DRAWING IS UNPUBLISHED. RELEASED FOR PUBLICATION 20. THIS DRAWING IS UNPUBLISHED. RELEASED FOR PUBLICATION 20.</small>		DWN: CECILY.ZHOU 24APR2007 CHK: S.ZHAO 24APR2007		Tyco Electronics Tyco Electronics incorporated Shanghai, P.R.China. 200233	
DIMENSIONS: INCHES		TOLERANCES UNLESS OTHERWISE SPECIFIED: 0 PLC ±. 1 PLC ±.01 2 PLC ±.01 3 PLC ±.005 4 PLC ±.0020 ANGLES ±.7°		NAME: RIGHT ANGLE RECEPTACLE ASSEMBLY WITH GUIDES MULTI-BEAM XL PRODUCT SPEC: 108-1973 APPLICATION SPEC: SIZE: 114-13038 WEIGHT:	
MATERIAL: 2		FINISH: 3		CUSTOMER DRAWING SCALE: 4:1 SHEET 1 OF 2 REV: A2	

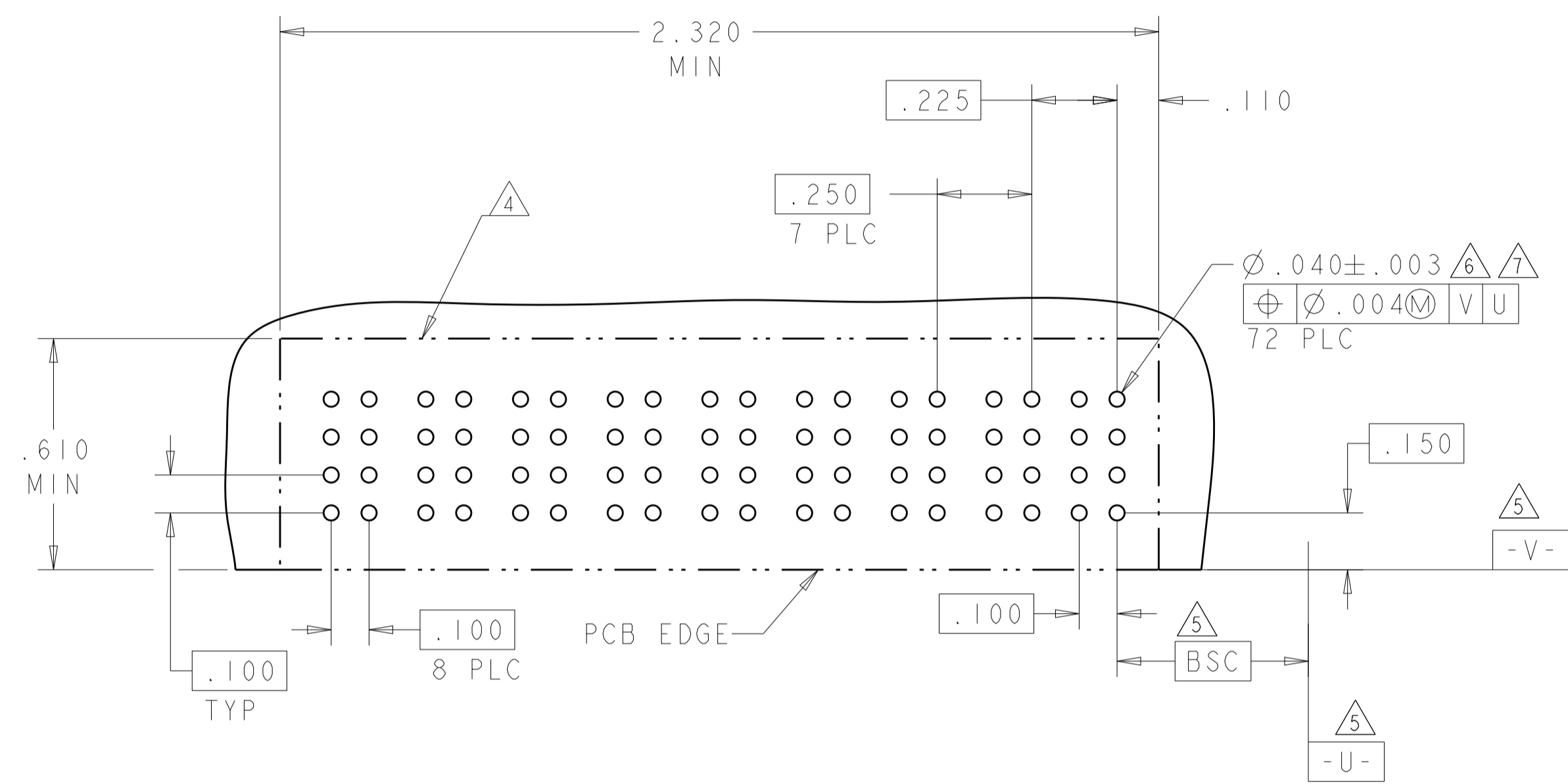
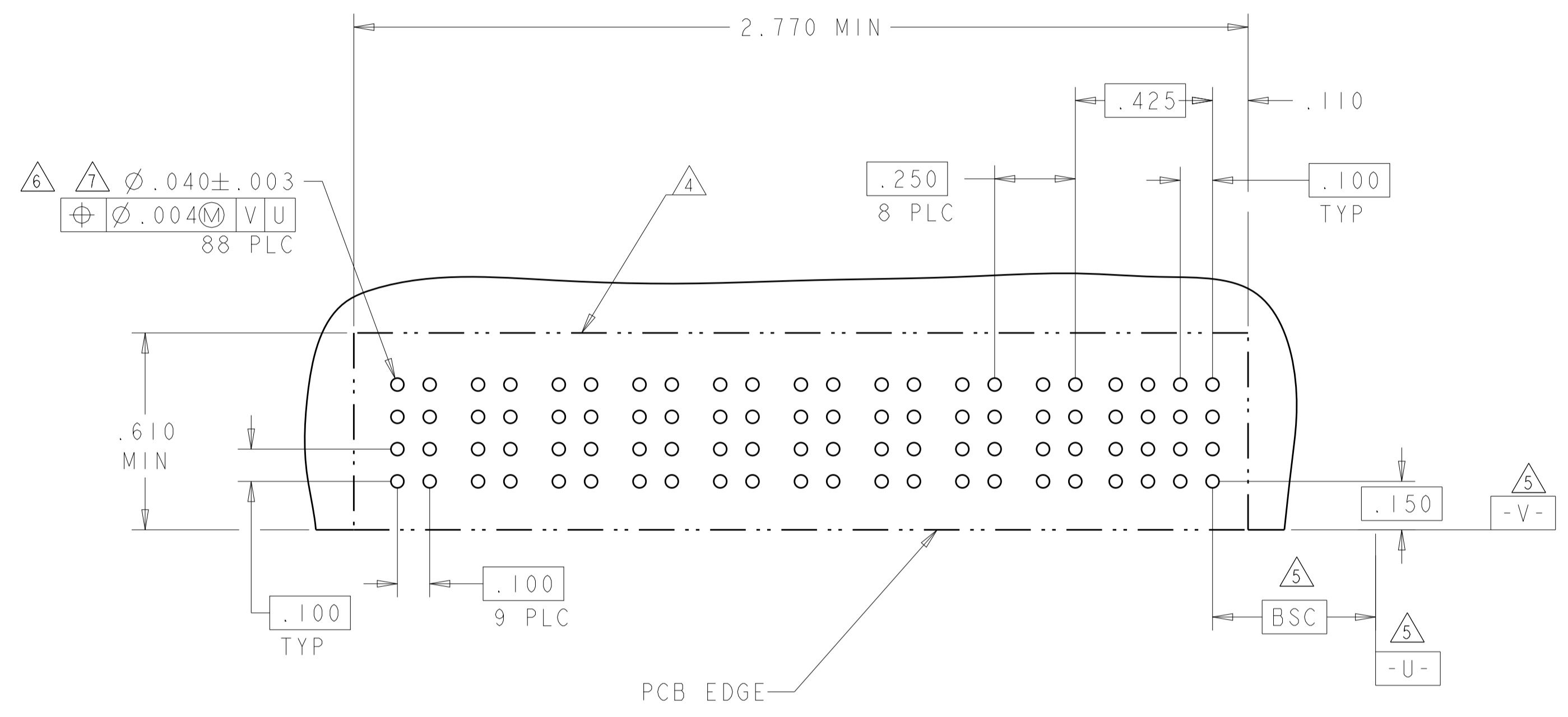
LOC	DIST	REV	DATE	BY	APPD
ES	00				

PART NUMBER	ROWS	POWER									SIGNAL			
		P9	P8	P7	P6	P5	P4	P3	P2	P1	4	3	2	1
6450165-1	D	RM	RM	RM	RM	RM	RM	RM	RM	RM	H	H	H	H
	C	RM	RM	RM	RM	RM	RM	RM	RM	RM	G	G	G	G
	B	RM	RM	RM	RM	RM	RM	RM	RM	RM	F	F	F	F
	A	RM	RM	RM	RM	RM	RM	RM	RM	RM	E	E	E	E

16S + 9P

PART NUMBER	ROWS	POWER								SIGNAL		
		P8	P7	P6	P5	P4	P3	P2	P1	2	1	
6450165-2	D	RM	RM	RM	RM	RM	RM	RM	RM	RM	H	H
	C	RM	RM	RM	RM	RM	RM	RM	RM	RM	G	G
	B	RM	RM	RM	RM	RM	RM	RM	RM	RM	F	F
	A	RM	RM	RM	RM	RM	RM	RM	RM	RM	E	E

8S + 8P



CODE	DESCRIPTION	ROW
H	SIGNAL CONTACT, STD	D
G	SIGNAL CONTACT, STD	C
F	SIGNAL CONTACT, STD	B
E	SIGNAL CONTACT, STD	A
RM	POWER CONTACT, STD	-
CONTACT		

DIMENSIONS: INCHES 		TOLERANCES UNLESS OTHERWISE SPECIFIED: 0 PLC ±. 1 PLC ±.01 2 PLC ±.01 3 PLC ±.005 4 PLC ±.0020 ANGLES ±.020°		DWN: CECILY.ZHOU 24APR2007 CHK: S.ZHAO 24APR2007 APVD: S.YAO NAME: S.YAO PRODUCT SPEC: 108-1973 APPLICATION SPEC: 114-13038 WEIGHT: - MATERIAL: - FINISH: -		Tyco Electronics Tyco Electronics incorporated Shanghai, P.R.China. 200233 RIGHT ANGLE RECEPTACLE ASSEMBLY WITH GUIDES MULTI-BEAM XL SIZE: A1 CAGE CODE: 00779 DRAWING NO: 6450165 RESTRICTED TO: - SCALE: 4:1 SHEET 2 OF 2 REV: A2	
---------------------------	--	--	--	---	--	--	--