

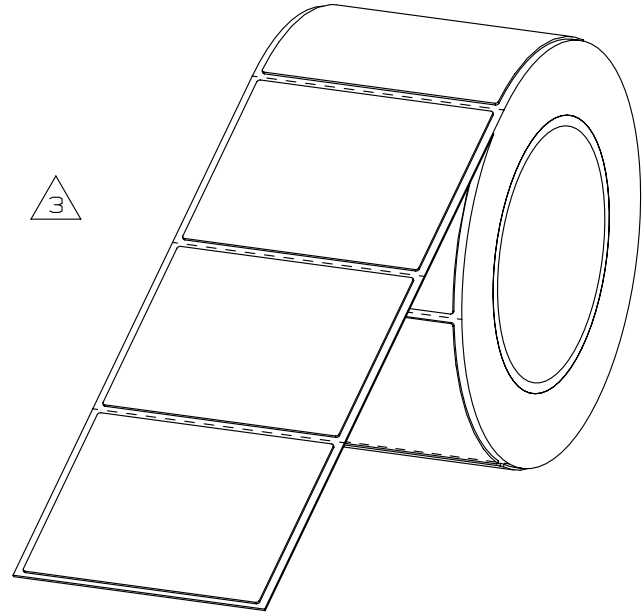
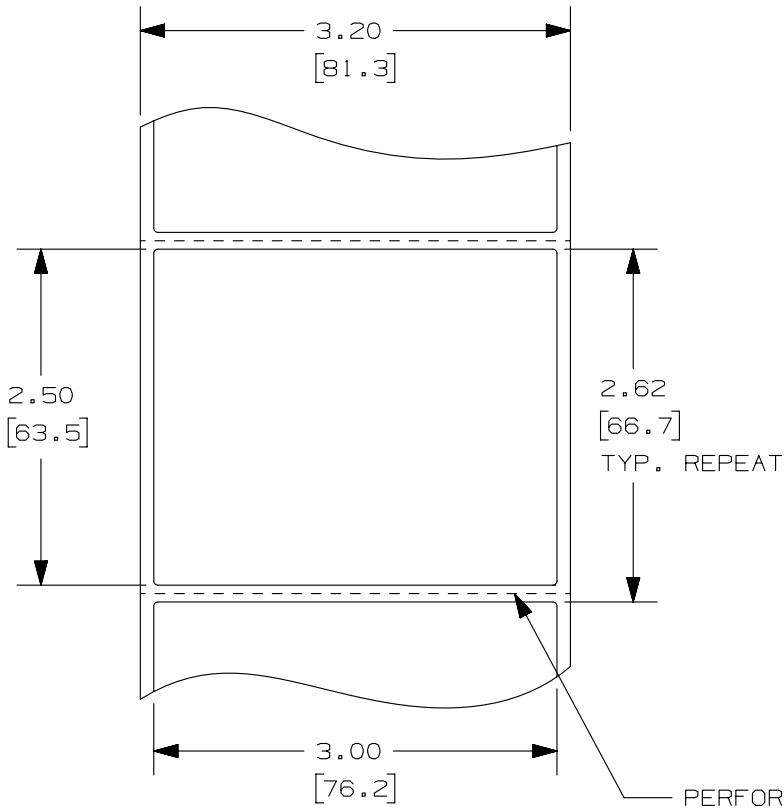
THIS COPY IS PROVIDED ON A RESTRICTED BASIS AND IS NOT TO BE USED IN ANY WAY DETRIMENTAL TO THE INTERESTS OF PANDUIT CORP.

NOTES:

1. DIMENSIONS IN [] ARE IN MILLIMETERS.



| PANDUIT PART NO. | MATERIAL | FACE COLOR | PKG. QTY. | THICKNESS | PRODUCT TYPE |
|------------------|----------|------------|-----------|------------------|--|
| C300X250AOT | GMH3 | BLACK | 500 | .030 +/- .010 | POLYESTER/ FOAM COMPONENT LABEL |
| C300X250ABT | | YELLOW | | | |
| C300X250AMT | | SILVER | | | |
| C300X250APT | GMH3-W | WHITE | | | |
| C300X250AST | GMH3 | GREEN | | | |
| C300X250AUT | | ORANGE | | | |
| C300X250AWT | | RED | | | |



| REV | DATE | BY | CHK | APR | DESCRIPTION | ECN |
|-----|---------|-----|------|------|--|------------|
| 3 | 1/17/13 | RVU | MSAD | SEWH | ADD material column and ISO view. Update part numbers sequence list. | GAECN00537 |
| 2 | 5/6/11 | RVU | MSAD | | TOL. SHOULD BE .12, .062, NOT .1, .050. ADD NEW PN: C300X250AUT. | 6348 |
| 1 | 1/14/09 | RVU | MSAD | | ADDED "TYP REPEAT". | 5592 |
| 0 | 9/5/08 | RVU | DAPE | PTR | DRAWING RELEASE. | 5537 |

| TITLE | | | | | | |
|--|--------|------|-------|------------|---------------------------|---|
| RAISED PANEL COMPONENTS LABELS C300X250A*T | | | | | | |
| CUSTOMER DRAWING | | | | | | |
| ITEM REVISION NAME | | | | | | |
| 100491BR/05 | | | | | | |
| DATASET FILE NAME | | | | | | |
| 100491BR-DC-C10731/05D | | | | | | |
| UNLESS OTHERWISE SPECIFIED, DIMENSIONAL TOLERANCES ARE: IN [mm] | | | | | | |
| .x ± .12 [3.04] .xxx ± .025 [.635] | | | | | | |
| .xx ± .062 [1.57] ANGLES ± | | | | | | |
| | | | | | THIRD ANGLE PROJECTION | |
| DRAWING NUMBER: C10731 | | | | | | |
| DRAWN BY | DATE | CHK | SCALE | | | |
| RVU | 9/5/08 | SCWE | NTS | SHT 1 OF 1 | | |
| | | | | | | A |

D101000DA/12