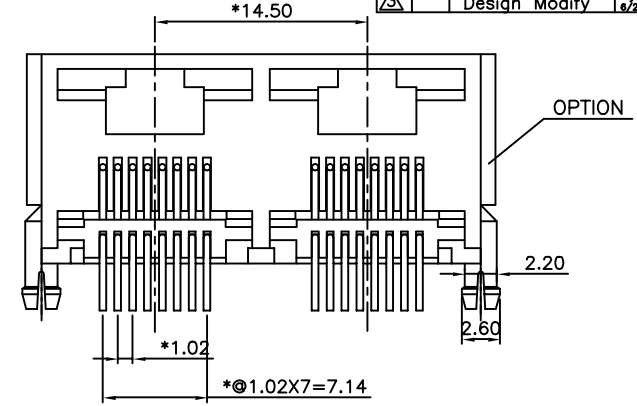
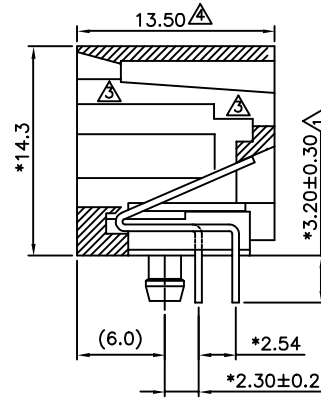
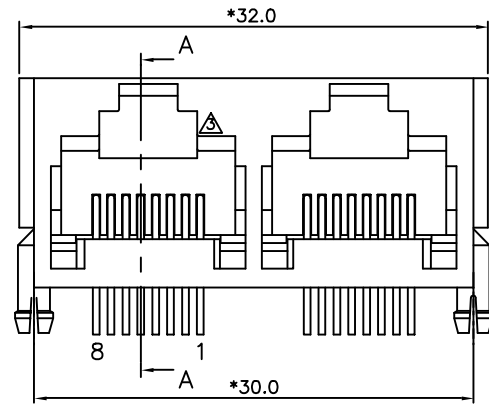
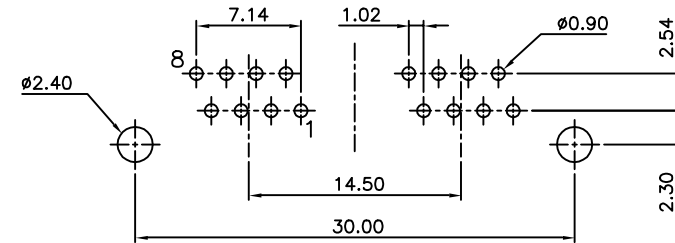


REVISION RECORD				
REV	ECO	DESCRIPTION	DRFT	CHKD
△		DIM MODIFY	PSP	
△		ADD PART NO.	LEG	
△		Design Modify	Symge	



SECTION A-A



PC Board Layout Component Side Shown

**NOTES:**

ELECTRICAL:

- VOLTAGE RATING : 125 VAC RMS.
- CURRENT RATING : 1.5 AMP.
- CONTACT RESISTANCE : 30 MILLIOHMS MAX.
- INSULATION RESISTANCE: 1000 MEGOHMS MIN @ 500 VDC.
- DIELECTRIC STRENGTH : 1000 VAC RMS 60Hz, 1MIN.

MECHANICAL:

- HOUSING MATERIAL : GLASS FILLED POLYESTER UL94V-0.
- CONTACT MATERIAL : PHOSPHOR BRONZE ø0.46mm.
- PLATING : GOLD PLATING OVER NICKEL.
- OPERATING LIFE : 750 CYCLES MIN.
- PCB RETENTION PRE-SOLDER : 1 LB MIN.
- PCB RETENTION POST-SOLDER: 10 LBS MIN.

ENVIRONMENTAL:

- STORAGE : -40°C TO +85°C.
- OPERATION: 0°C TO 70°C.

MATES WITH MODULAR PLUG CONFORMING TO FCC PART 68, SUBPART F.

CUL FILE NO. E163191

PART NUMBER: E558X-20AXXX

NO. OF CONTACT:	1- 3u"	2- 6u"
2- 2C	3-15u"	4-30u"
4- 4C	5-50u"	6-Pd 20u"
6- 6C		
8- 8C		

- 5-A06-0080 BK
  - △ W-A06-1550 GREEN
  - △ D-A06-0600 GRAY
- 1- WITH PANEL STOP  
2- W/O PANEL STOP

← MM (INCH) →		DFTO SYANG	DATE 3/17/98	FULL RISE ELECTRONIC CO., LTD	
TOLERANCES EXCEPT AS NOTED		CHKD	DATE		
		MFO	DATE	TITLE	
MM		APPVL XLF	DATE 2004/11/16	MINI L/P DUAL PORT 8P	
.0 ± 0.2 ±		MATERIAL :		DRAWING NO. GE553037	
.00 ± 0.15 ±		QTY :		/PART NO. SEE NOTE	
.000 ± 0.075 ±		FINISH :		SIZE A3	
ANGLES ± 0.5		SCALE : 3 : 1		REV 5	
THIRD ANGLE PROJECTION		DO NOT SCALE DRAWING		SHEET OF	