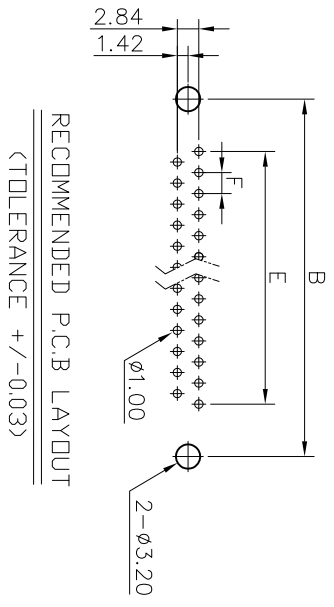
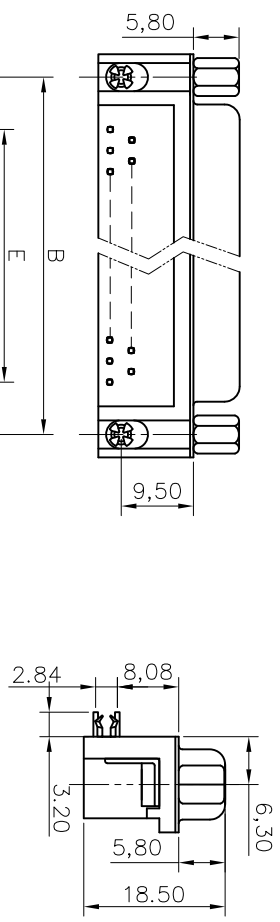
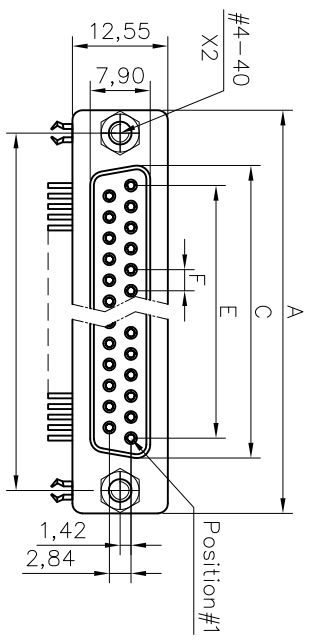


This document is the property of Amphenol Corporation and is supplied on the express condition that it is not to be duplicated, reproduced or used, in whole or in part, without the prior written consent of Amphenol Corporation. Amphenol Corporation will not be held responsible for any loss or damage to the original or to any copy of this document.



RECOMMENDED P.C.B LAYOUT
(TOLERANCE +/-0.03)



Customer drawing for proposal

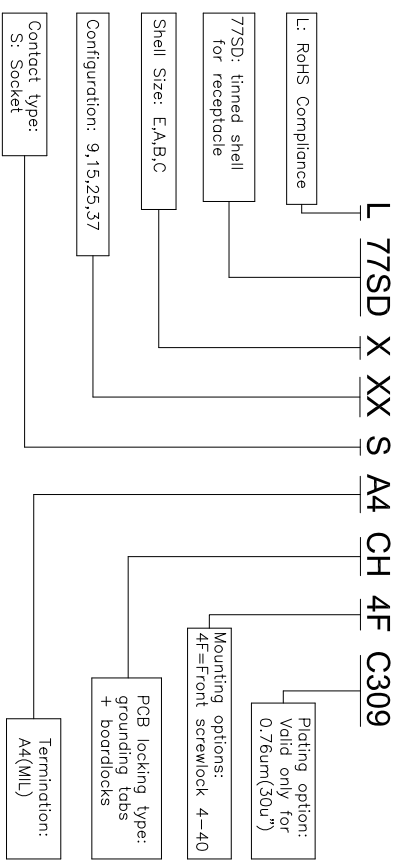
Nb of contacts	Dimensions				
	A	B	C	E	F
9	30.81	24.99	16.24	11.08	2.77
15	39.14	33.32	24.56	19.39	2.77
25	53.04	47.04	38.38	33.24	2.77
37	69.32	63.50	54.76	49.86	2.77

REVISIONS				
SM	EDN	DESCRIPTION	DATE	APPROVED
1			06/26/08	
2		Update drawing	May/15/12	Tony

D-SUB TECHNICAL DATA

SHELL : Steel 2.5um(100u") min tin over 1.25um(50u") min nickel
BODY : Glass filled thermoplastic.
CONTACTS : Flame retardant to UL94 V-0, Color Black
 Brass, 30u" min gold over 50u" min nickel on mating area
 100u" min tin over 50u" min nickel on termination area
SCREWLOCK : Brass, 50u" min nickel
BOARDLOCK : Brass, 100u" min tin over 50u" min nickel
ELECTRICAL : Voltage rating : 250 V RMS at 50 Hz
 Current rating : 3A
 Withstanding Voltage >1000 V RMS at 50 Hz for one minute
 Insulation resistance >5000 M Ohms
 Contact resistance 25 mOhms max
CLIMATIC : Temperature range -55 °C up to 85°C
MARKING : Amphenol...(Series No.)
 Manufacturing date
 Commercial reference

PRODUCT CODE



DIMENSIONS SPECIFIED		APPROVAL	DATE
TOLERANCES	METRIC	DRAWN	May/15/12
U.S.	0.50	CHECKED	May/15/12
	0.30		
	0.20		
	S		

DIMENSIONS SPECIFIED		APPROVAL		DATE
TOLERANCES	METRIC	DRAWN	May/15/12	May/15/12
U.S.	0.50	CHECKED	May/15/12	
	0.30			
	0.20			
	S			

Amphenol

Amphenol East Asia Limited

D-SUB contacts , SD series

SIZE	DRAWING NO.	REV.
A4	C L77SDXXXSA4CH4PC309	2
SCALE	NONE	SHEET 1 OF 1