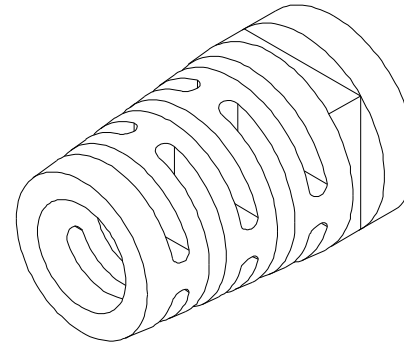
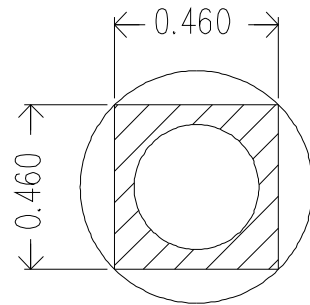
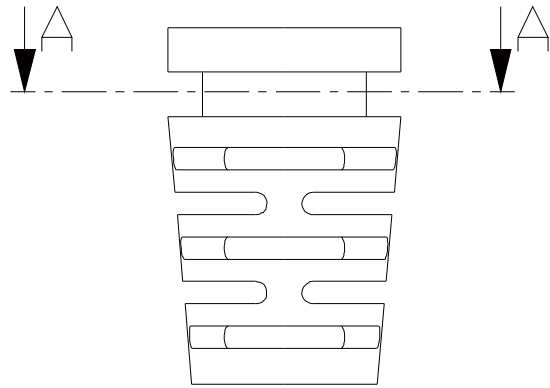
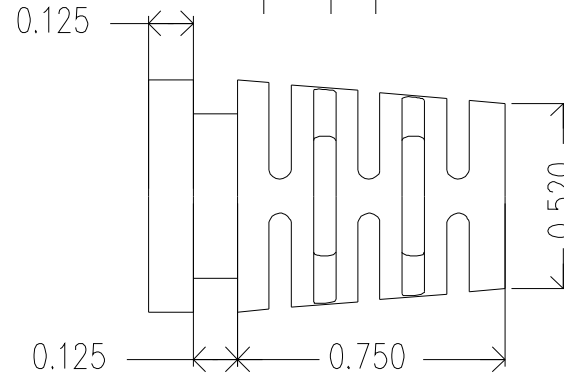
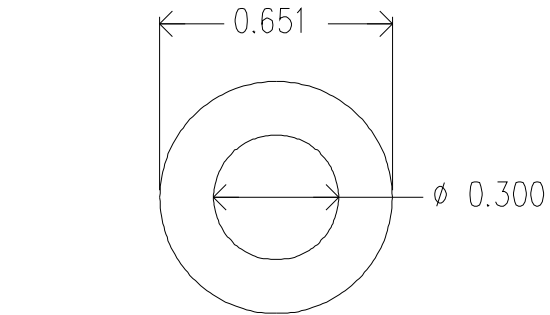


REV. NO.		DESCRIPTION	DATE	APPROVED
ZONE	REV.			



MOLD MATERIAL: ISC P/N: 5000214, PVC, M1472, Black, RoHS

A-A
 Dimensions are subject to change.
 PROPRIETARY AND CONFIDENTIAL
 THE INFORMATION CONTAINED IN THIS DRAWING IS THE SOLE PROPERTY OF ISC ENGINEERING. ANY REPRODUCTION IN PART OR AS A WHOLE WITHOUT THE WRITTEN PERMISSION OF ISC ENGINEERING IS PROHIBITED.

DIMENSIONS ARE IN INCHES		DRAWN	NAME	DATE
TOLERANCES:		R FIERRO		04/16/04
FRACTIONAL ±		CHECKED		
ANGULAR: MACH ± BEND ±		ENG APPR.		
TWO PLACE DECIMAL ±		MFG APPR.		
THREE PLACE DECIMAL ±		Q.A.		
MATERIAL --		COMMENTS:		
NEXT ASSY	USED ON	FINISH --		
APPLICATION		DO NOT SCALE DRAWING		

ISC Engineering 4351 Schaefer Ave, Chino, CA 91710 Ph: 909-596-3315 Fax: 909-596-3335 www.iscengineering.com www.overmoldtooling.com			
Standard Strain Relief 1461080-300-E-460X460-651-0			
SIZE A	DWG. NO. 1467118	REV.	
SCALE: 2:1	WEIGHT:	SHEET 1 OF 1	

ISC ENGINEERING
CONTROLLED COPY
 Rich Fierro 02/07/2019