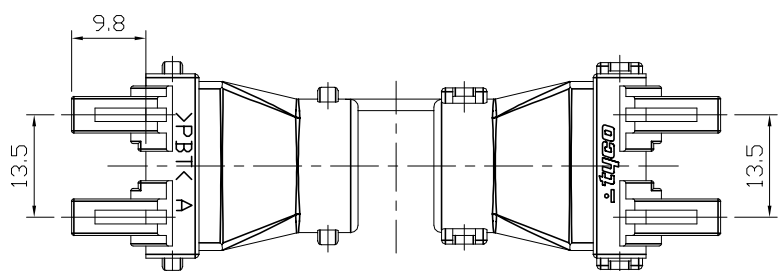
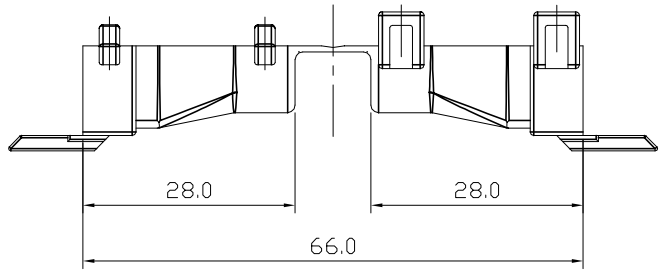
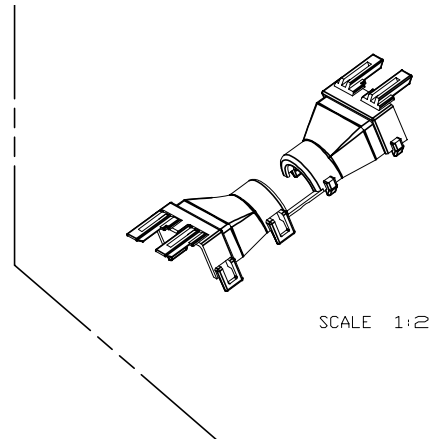
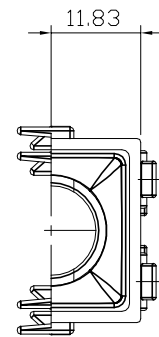
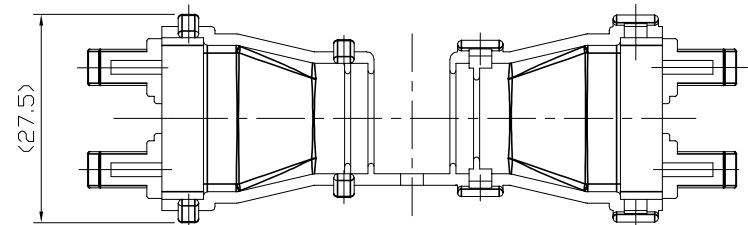
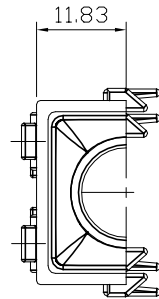


REVISIONS					
P	LTR	DESCRIPTION	DATE	DWN	APVD
	A1	REVISED	ECR-20-006478	03SEP2020	PSJ SPB



NOTES;

- GENERAL TOLERANCE IS ± 0.3 , $\pm 3^\circ$
- APPLICABLE PLUG HSG : X-1438487-X, X-1438488-X, X-1438489-X, X-1438490-X
- APPLICABLE CORRUGATE TUBE : $\varnothing 11$ mm
- APPLICATION TEST SPEC. : MS210-06C (EXCEPT 4.4)

OBsolete	Color	Material	Description	P/N
OBsolete	WATER BLUE (RAL 5021)	PBT	COVER HSG	1-1743234-6
OBsolete	SIGNAL BLUE (RAL 5005)	PBT	COVER HSG	1-1743234-5
OBsolete	TRAFFIC PURPLE (RAL 4006)	PBT	COVER HSG	1-1743234-4
OBsolete	DUSTY GRAY (RAL 7037)	PBT	COVER HSG	1-1743234-3
	PURPLE VIOLET (RAL 4007)	PBT	COVER HSG	1-1743234-2
OBsolete	BEIGE (RAL 1001)	PBT	COVER HSG	1-1743234-1
	ORANGE	PBT	COVER HSG	0-1743234-9
OBsolete	LIGHT BLUE (RAL 5012)	PBT	COVER HSG	0-1743234-8
	MOSS GREEN (RAL 6005)	PBT	COVER HSG	0-1743234-7
OBsolete	RED	PBT	COVER HSG	0-1743234-6
OBsolete	YELLOW	PBT	COVER HSG	0-1743234-5
OBsolete	CLAY BROWN (RAL 8003)	PBT	COVER HSG	0-1743234-4
	LIGHT GRAY (RAL 7035)	PBT	COVER HSG	0-1743234-3
	BLACK	PBT	COVER HSG	0-1743234-2
	NATURAL	PBT	COVER HSG	0-1743234-1
	COLOR	MATERIAL	DESCRIPTION	P/N

THIS DRAWING IS A CONTROLLED DOCUMENT.		DWN BH LEE			
		CHK YM CHOI			
DIMENSIONS: mm	TOLERANCES UNLESS OTHERWISE SPECIFIED:	APVD JK SONG	NAME COVER HSG FOR ACU CONNECTOR 24POS.		
	0 PLC $\pm -$ 1 PLC $\pm -$ 2 PLC $\pm -$ 3 PLC $\pm -$ 4 PLC $\pm -$ ANGLES $\pm -$	PRODUCT SPEC -	-		
MATERIAL SEE TABLE	FINISH -	APPLICATION SPEC -	SIZE A3	CAGE CODE 00779	DRAWING NO C-1743234
CUSTOMER DRAWING			WEIGHT 0	RESTRICTED TO -	
			SCALE FREE	SHEET 1 of 1	REV A1