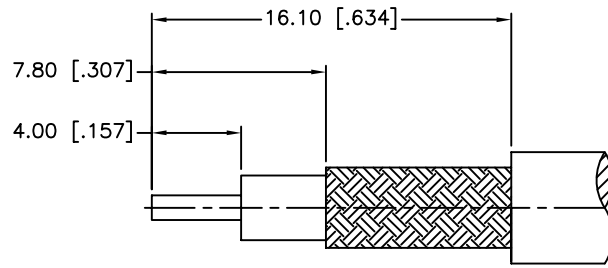
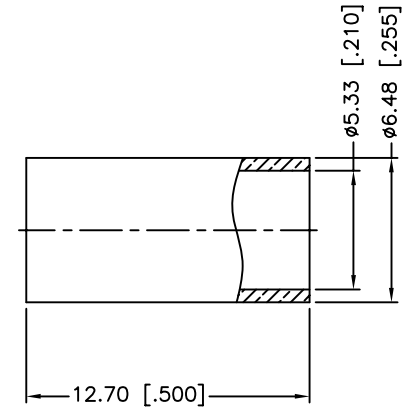
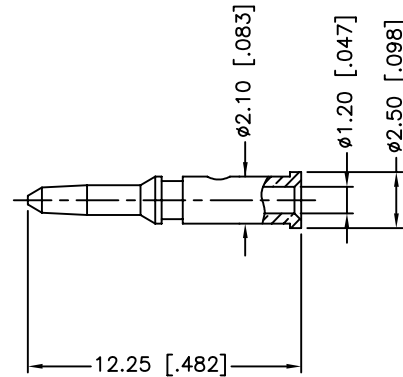
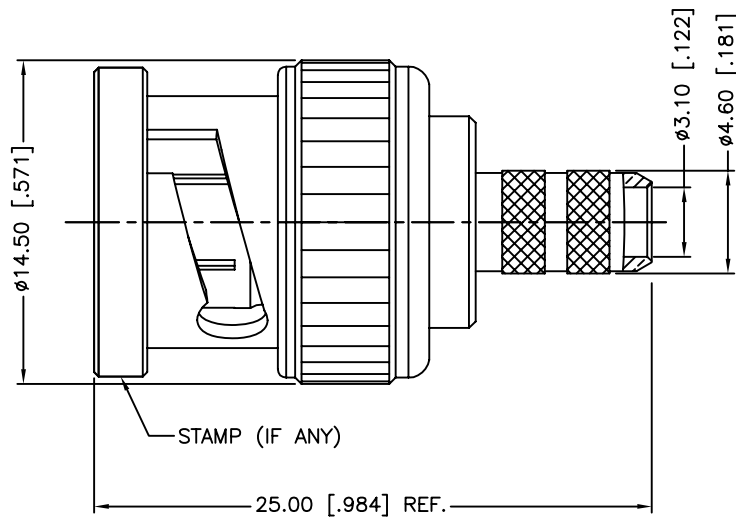


REV.	DATE	ECR NO.	DESCRIPTION
NC	07/29/98	-	INITIAL RELEASE
A	11/05/06	-	UPDATE DRAWING FORMAT
B	06/23/10	2062	ADD CRIMP DIMENSIONS AND CRIMP TOOL INFORMATION TO DRAWINGS



RECOMMENDED
CABLE STRIPPING DIM'S



1. CRIMPED FERRULE
HEX. CRIMP SIZE .213"
2. CRIMPED CONTACT PIN
HEX. CRIMP SIZE .068"
3. CRIMP TOOL: A

9	FERRULE	COPPER	NICKEL	1
8	CONTACT PIN	BRASS	GOLD	1
7	WASHER	BRASS	NICKEL	1
6	SPRING	SK5	NICKEL	1
5	RETAINER RING	BRASS	NICKEL	1
4	GASKET	RUBBER	RED	1
3	INSULATOR	PTFE	NATURAL	1
2	BODY	BRASS	NICKEL	1
1	SHELL	BRASS	NICKEL	1
	DESCRIPTION	MATERIAL	FINISH	QTY

UNLESS OTHERWISE SPECIFIED DIMENSIONS ARE IN MILLIMETERS. DIMENSIONS IN [] ARE IN INCHES AND FOR CUSTOMER REFERENCE ONLY.

UNLESS OTHERWISE SPECIFIED TOLERANCES FOR MILLIMETERS ARE:
0.5 - 8mm ± 0.20mm
8 - 30mm ± 0.40mm
30 - 120mm ± 0.50mm

UNLESS OTHERWISE SPECIFIED TOLERANCES FOR INCHES ARE:
.020 - .315 = ± 0.007"
.315 - 1.180 = ± 0.015"
1.180 - 4.724 = ± 0.020"

DO NOT SCALE DRAWING

APPROVALS	DATE
DRAWN M.ZHANG	06/23/10
CHECKED	
ISSUED	
SHEET 1 OF 1	
CAD FILE C:/CONNEX/112597.DWG	

Amphenol Connex

PART DESCRIPTION			
BNC CRIMP PLUG (FOR LMR200 CABLE)			
PART NO. 112597			
DWG. NO. 112597.DWG	REV. B	SIZE A	SCALE NA