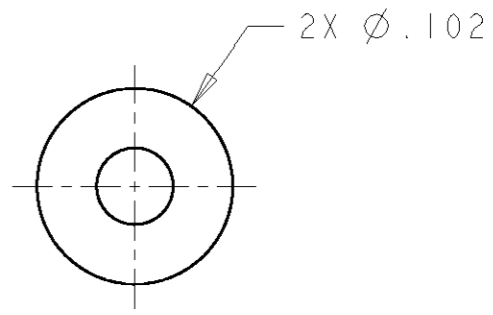
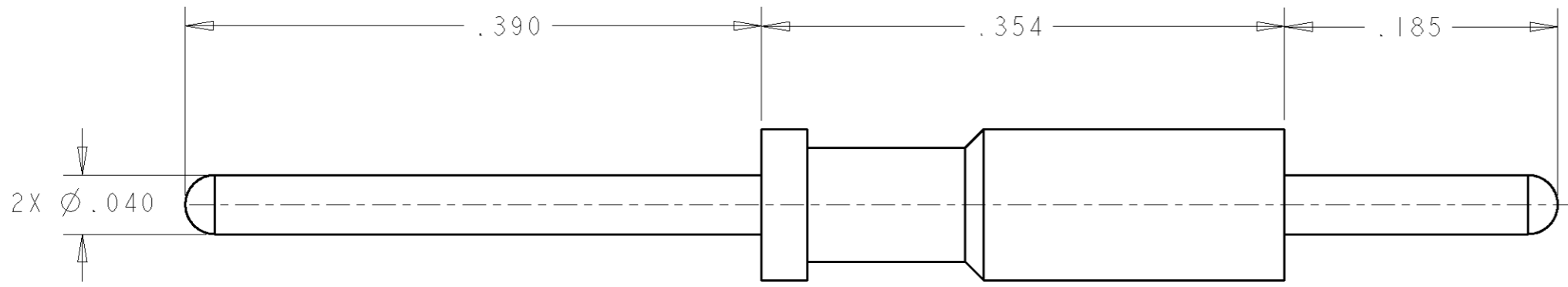


THIS DRAWING IS UNPUBLISHED. RELEASED FOR PUBLICATION 20
 © COPYRIGHT 20 BY TYCO ELECTRONICS CORPORATION. ALL RIGHTS RESERVED.

LOC	DIST	REVISIONS			
P	LTR	DESCRIPTION	DATE	DWN	APVD
GP	00	A	RELEASED	09MAY2007	RG DO



- PART NUMBER CHANGES AND OR DESIGN CHANGES AFFECTING THE INTERCHANGEABILITY REQUIRE PRIOR TYCO APPROVAL AND AUTHORIZATION BY REVISION TO THIS DRAWING.
- MATERIAL;
BRASS ALLOY
- FINISH:
GOLD PLATE .000030 MIN THK. OVER NICKEL
.000040 MIN. THK.
- ITEMS PROVIDED TO THIS SPECIFICATION TO BE PERMANENTLY IDENTIFIED ON THE CONTAINER WITH THE FOLLOWING IDENTIFIER:

TYCO PART NO. _____
 XXXXXXXX-X

DATE CODE (e.g. 0216)
 YEAR | WEEK
 XXXX

AS SHOWN	1650226-1
DESCRIPTION	PART NUMBER

<small>THIS DRAWING IS A CONTROLLED DOCUMENT FOR TYCO ELECTRONICS CORPORATION IT IS SUBJECT TO CHANGE AND THE CONTROLLING ENGINEERING ORGANIZATION SHOULD BE CONTACTED FOR THE LATEST REVISION.</small>		DWN 09MAY2007 R.GRZYBOWSKI CHR 09MAY2007 D.ORRIS APVD 09MAY2007 S.FLICKINGER		Tyco Electronics Tyco Electronics Harrisburg, PA 17105-3608	
DIMENSIONS: INCHES 		TOLERANCES UNLESS OTHERWISE SPECIFIED: 0 PLC ±- 1 PLC ±- 2 PLC ±.02 3 PLC ±.010 4 PLC ±- ANGLES ±-		NAME PIN CONTACT, SIZE No. 20 PCB TAIL, .27 FRONT EXT. .18 REAR EXT.	
MATERIAL -		FINISH -		PRODUCT SPEC - APPLICATION SPEC - WEIGHT -	
ELCON CONTACTS		CUSTOMER DRAWING		SIZE A3 CAGE CODE 00779 DRAWING NO C-1650226 RESTRICTED TO - SCALE 10:1 SHEET 1 OF 1 REV A	