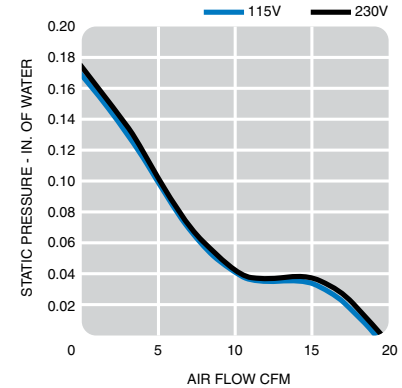
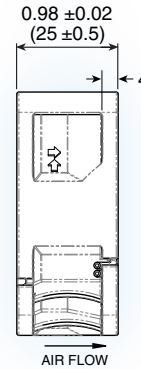
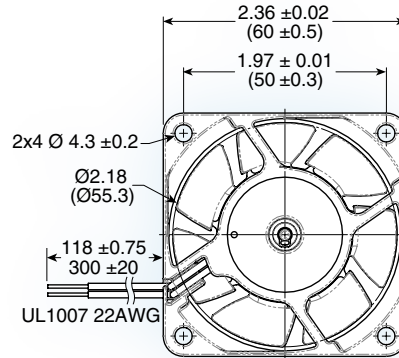




LPT60B99 series



(60 x 60 x 25 mm)

2.36 x 2.36 x 0.98 inches

Operating voltage: 115 or 230 VAC

Construction: plastic frame and metal impeller

Bearing option: ball bearing

Motor: 2 speed electronically commutated

Air flow: exhaust over struts

Connection: lead wire UL1007 22AWG

Protection: thermal

Options:



- IP68
- ATEX

Model No.	Rated Voltage	Freq.	Input Power	Rated Cur.	Speed	Air Volume		Max. Static Pressure (H ₂ O)		Sound Noise	Wt.
	V	HZ	W	A	RPM	M ³ /Min.	CFM	MM	INCH	dBa	g
LPT60B99	115	50/60	2.4	0.041	3,850	0.541	19.1	4.32	0.17	31	60
	230	50/60	2.4	0.026	3,950	0.543	19.4	4.57	0.18	31	60