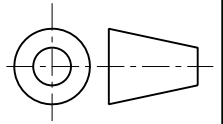


CAD-Original
nicht ändern

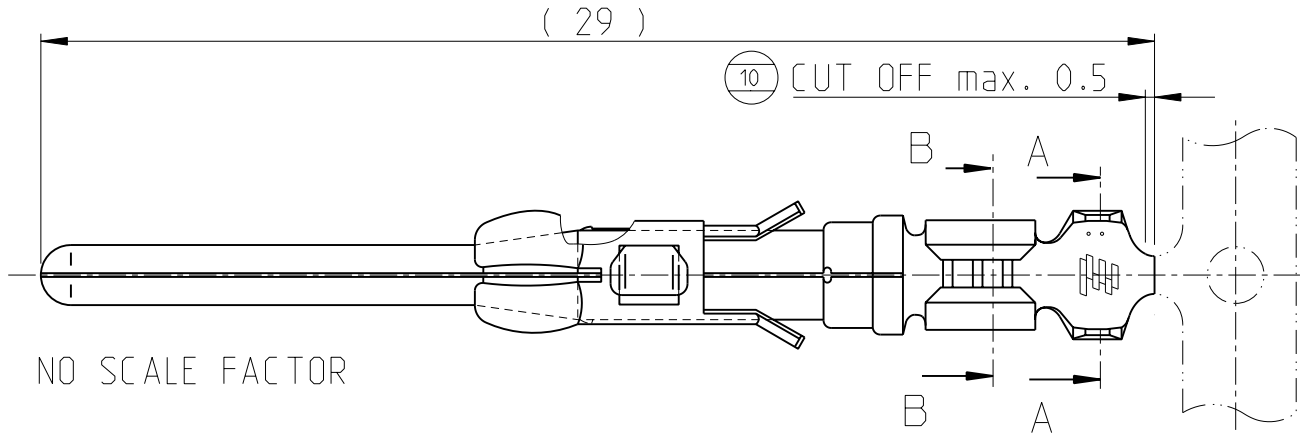
DRAWING VALID FROM:
Zeichnung gültig ab: -- --

METRIC



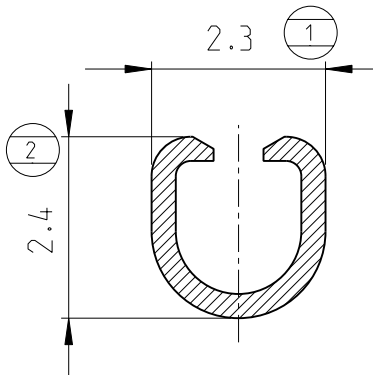
EUROPEAN PROJECTION

USE HANDTOOL: CRIMPAC TOOL II PN 0-825582-0

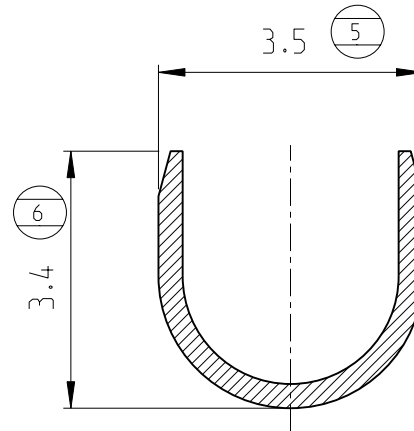


NO SCALE FACTOR

WIRE BARREL
B-B



INSULATION BARREL
A-A



1 CRIMP PRE-FORMED

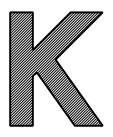
2 DIMENSIONS FOR STRIP-FORM SEE DRAWING NO. C-926980

0-926980-2		PRE TINNED		CuZn 30		0-926981-2		D	
0-926980-1		PRE TINNED		CuSn 4		0-926981-1		D	
MADE FROM		FINISH		MATERIAL		LP NO		REV	
LOC		GT		WIRE RANGE		TOLERANCES		NAME	
DIST		-		0.5-1.0 mm ²		±0.2		CI 2 PIN (LOOSE PIECE)	
D2		SEE ECN		SEE ECR-10-017608		D2		K	
LTR		REVISION RECORD		ECN		DR		DATE	
DR		30JAN2010		APPD		12.10.10		SCALE	
M. Pavlicek				T. Konecny				LOC	
CHK		5FEB2010		REL				NUMBER	
P. Straka								926981	
				Ø2.0-2.7 mm		10:1		GT	
						A4		REV	
								D2	



Tyco Electronics

Tyco Electronics Czech s.r.o.
CZ- K AMP 1293, 664 34 Kurim



THIS INFORMATION IS CONFIDENTIAL AND IS DISCLOSED TO YOU ON CONDITION THAT NO FURTHER DISCLOSURE IS MADE BY YOU TO OTHER THAN AMP PERSONNEL WITHOUT WRITTEN AUTHORIZATION FROM AMP DEUTSCHLAND GMBH, LANGEN B.F.F.H.