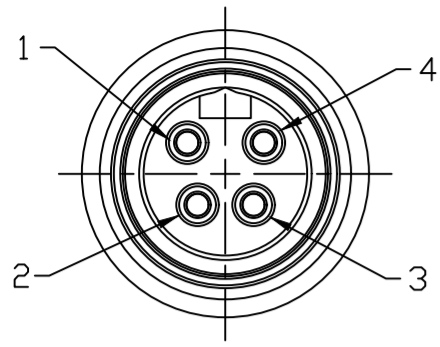
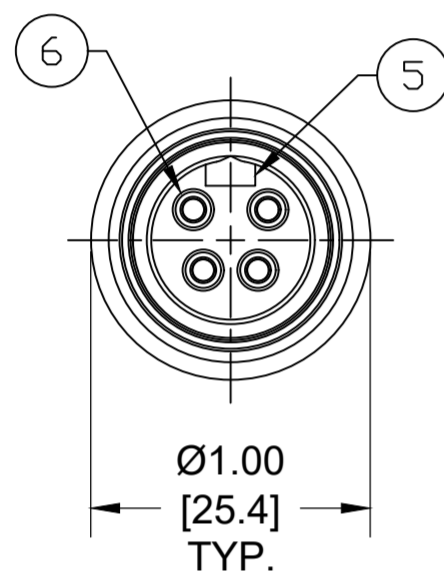


**MALE INSERT  
FRONT VIEW**

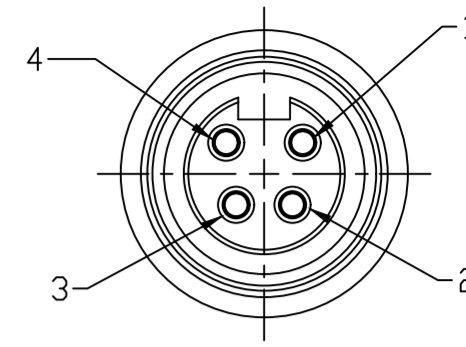


1-BLACK  
2-WHITE  
3-RED  
4-GREEN/YELLOW

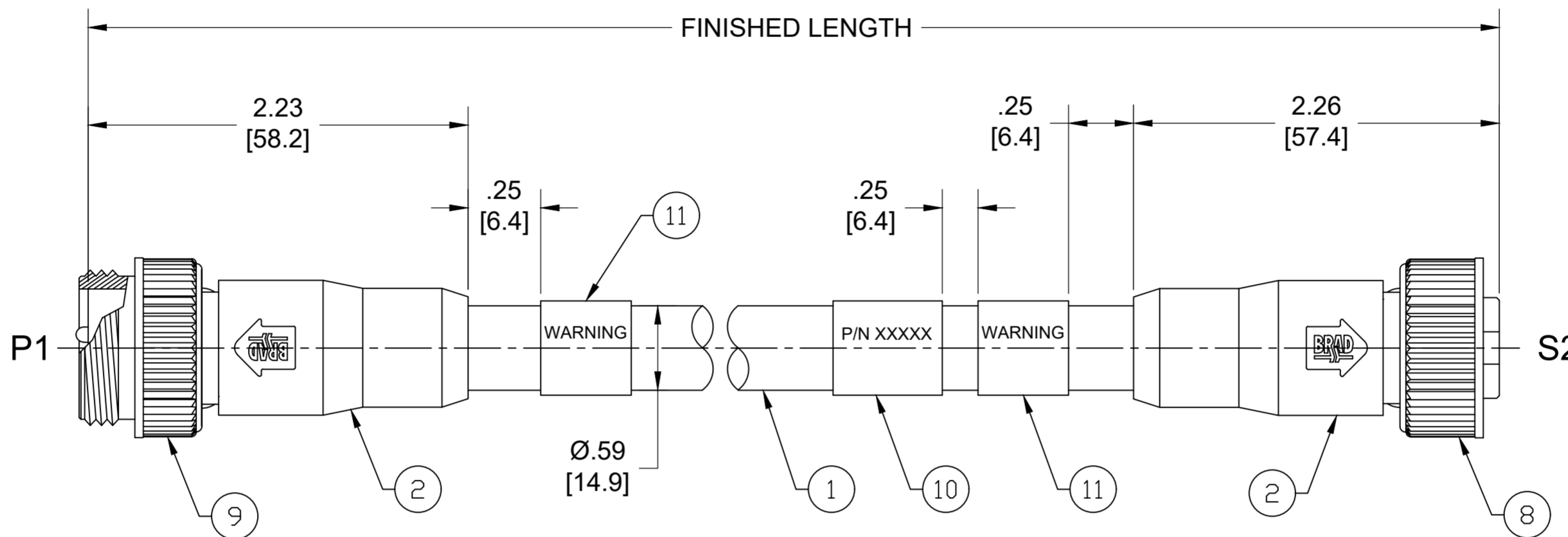
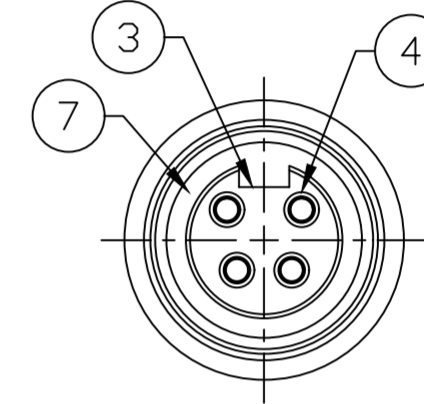


PART NO	ENGINEERING NO.	FINISHED LENGTH
1300620120	114030A46M010	1M [3 FT 3 IN]
1300620141	114030A46M300	30M [98 FT 5 IN]
1300621062	114030A46M840	84M [275 FT 7 IN]

**FEMALE INSERT  
FRONT VIEW**



1-BLACK  
2-WHITE  
3-RED  
4-GREEN/YELLOW



**NOTES:**

- MATERIAL: AS NOTED
- FINISH: AS NOTED
- ELECTRICAL:  
VOLTAGE: 483V PER IEC60664 (D)  
600V PER UL2237  
CURRENT: 15A
- TEMP RATING: -20°TO +105°C
- PROTECTION: IP67 (WHEN MATED)
- COUPLING THREAD: 7/8"-16UN
- UL LISTED FILE: E258922
- ALL DIMENSIONS ARE FOR REFERENCE UNLESS TOLERANCED OR NOTED OTHERWISE

P1		S2	
1	BLACK	1	
2	WHITE	2	
3	RED	3	
4	GREEN/YELLOW	4	

**WIRING DIAGRAM**

**PART NUMBER LEGEND**

114030A46M003

FINISHED LENGTH:  
M005= 0.5 METER  
M010= 1 METER  
M100= 10 METER

(D)

**CABLE LENGTH TOLERANCES**

<.3M [1FT]:	+19mm-0 [+ .75in-0]
.3 - .9M [1 - 3FT]:	+44.5mm-0 [+1.75in-0]
.9 - 1.8M [3 - 6FT]:	+55.6mm-0 [+2.19in-0]
1.8 - 3.7M [6 - 12FT]:	+88.9mm-0 [+3.50in-0]
3.7 - 7.3M [12 - 24FT]:	+165.1mm-0 [+6.50in-0]
7.3-14.6M [24 - 48FT]:	+317.5mm-0 [+12.50in-0]
14.6 - 30.5M [48-100FT]:	+622.3mm-0 [+24.50in-0]
OVER 30M [100FT]:	+2% OF FINISHED LENGTH

11	WARNING LABEL	VINYL	ORANGE/BLACK
10	WRAP LABEL	VINYL	BLACK/YELLOW
9	MALE COUPLING NUT	ZINC DIE CAST	BLACK-E-COAT
8	FEMALE COUPLING NUT	ZINC DIE CAST	BLACK-E-COAT
7	FRICTION RING	NYLON	WHITE
6	PIN CONTACT	COPPER ALLOY	GOLD OVER NICKEL
5	MALE INSERT	TPE	BLACK
4	SOCKET CONTACT	COPPER ALLOY	GOLD OVER NICKEL
3	FEMALE INSERT	TPE	BLACK
2	OVERMOLD	TPE	GRAY
1	CABLE #14 AWG	PVC	GRAY
ITEM	COMPONENT	MATERIAL	FINISH

(D)  
(D)  
(D)

FUNCTIONAL SYMBOLS				THIS DRAWING CONTAINS INFORMATION THAT IS PROPRIETARY TO MOLEX ELECTRONIC TECHNOLOGIES, LLC AND SHOULD NOT BE USED WITHOUT WRITTEN PERMISSION			
FA=0	DIMENSION UNITS	SCALE	CURRENT REV DESC: INSERT & OVERMOLD WERE PVC. ADDED IEC VOLTAGE & TOL CHART. MODIFIED PN TABLE	<p><b>molex</b></p> <p>BRAD POWER CORDSET, A-SIZE 4 POLE, MALE-FEMALE, STRAIGHT, SINGLE KEY, #14 AWG</p> <p>PRODUCT CUSTOMER DRAWING</p>			
FC=0	INCH/MM	NTS					
FP=0	GENERAL TOLERANCES (UNLESS SPECIFIED)			<p>EC NO: 698916</p> <p>DRWN: ABENJAMINLW 2021/06/18</p> <p>CHK'D: RSTONE 2022/03/09</p> <p>APPR: BWOODMAN 2022/03/11</p>			
DIVISIONAL SYMBOLS	mm INCH			<p>INITIAL REVISION:</p> <p>DRWN: EBRACKEN 2013/06/20</p> <p>APPR: BWOODMAN 2013/08/14</p>			
DRAFT WHERE APPLICABLE MUST REMAIN WITHIN DIMENSIONS				THIRD ANGLE PROJECTION		DRAWING SERIES	
				C-SIZE		130062	
DOCUMENT STATUS				MATERIAL NUMBER		CUSTOMER	
P1 RELEASE DATE 2022/03/11 14:29:49				SEE CHART		GENERAL MARKET	
				DOCUMENT NUMBER		DOC TYPE/DOC PART/REVISION	
				SD-130062-017		PSD 001 D	
				SHEET NUMBER		1 OF 1	