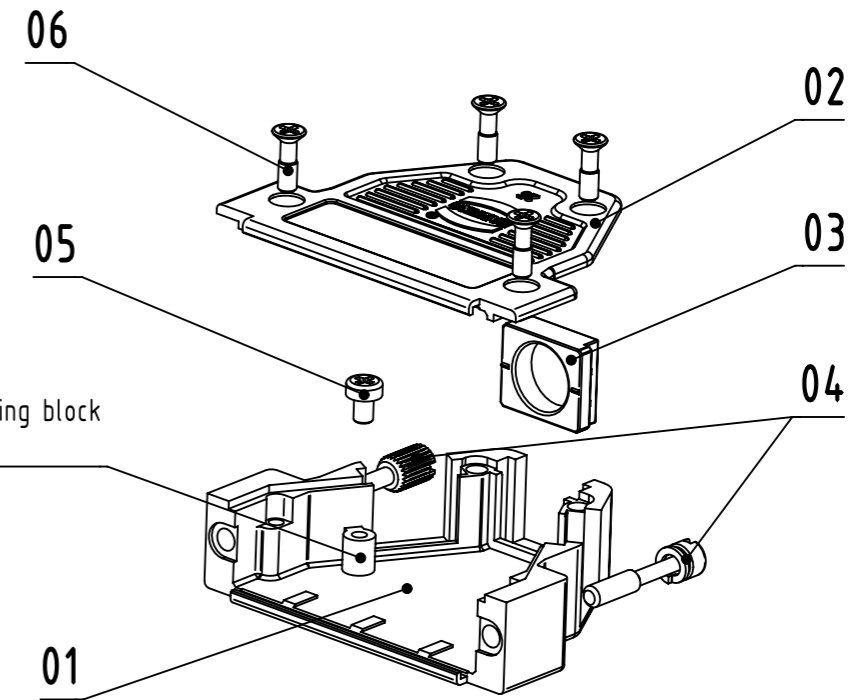
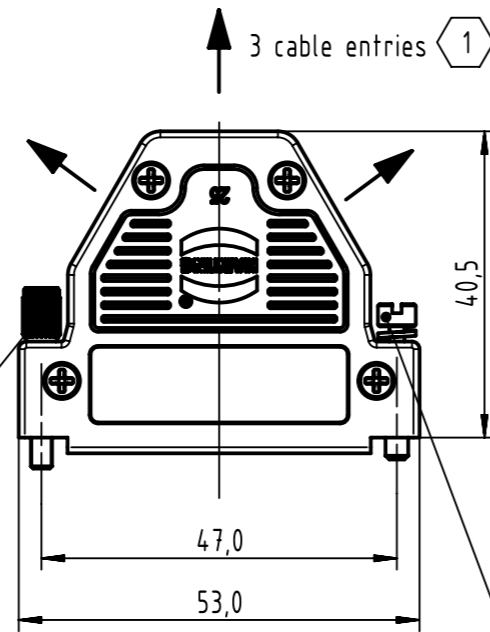


Hexagonal head screw driver
P/N 61 03 600 0021
for hexagonal head screw
max torque=0,5Nm



| | | | |
|------------------|------------------------|------------------|------------------------|
| | | | |
| Y=3 M3 x 16,8 | Y=0 4-40 UNC x 16,8 | Y=1 M3 x 17,6 | Y=2 4-40 UNC x 17,6 |

1 For strain relief an additional InduCom cable clamp or a crimp flange and ferrule combination depending on the cable is necessary

| Content InduCom hood | | | Spare parts (MOQ100) | |
|----------------------|----------|---|----------------------|----------|
| Pos. | Quantity | Description | Part Number | Quantity |
| 01 | 1 | metal hood | | |
| 02 | 1 | metal cover | | |
| 03 | 2 | blank piece (not assembled) | 6103 000 0042 | 1 |
| 04 | 2 | locking screw (assembled): | | |
| | | either knurled thumb screws 4-40 UNC (for 0117) | 0967 002 9018 | 1 |
| | | or hexagonal M3 with captive washer (for 1117) | 0967 002 9019 | 1 |
| | | or hexagonal 4-40 UNC with captive washer (for 2117) | 0967 002 9020 | 1 |
| | | or knurled thumb screws M3 (for 3117) | 0967 002 9017 | 1 |
| 05 | 1 | grounding screw (not assembled) for version with internal grounding block | 0963 002 0007 | 1 |
| 06 | 4 | cover screw M2,5 with philips head (not losable in cover) | 0963 002 0006 | 1 |

6103 001 Y017 ZZZ

| Part Number | Dim B screw size | Screw type | Identification for locking screw | Internal grounding block |
|-------------------|------------------|-------------------------------------|----------------------------------|----------------------------------|
| 6103 001 0017 | 4-40 UNC | Knurled thumb screw | Without ring | With internal grounding block |
| 6103 001 1017 | M3 | Hexagonal screw with captive washer | 1 & Knurled head | |
| 6103 001 2017 | 4-40 UNC | Hexagonal screw with captive washer | 3 | |
| 6103 001 3017 | M3 | Knurled thumb screw | With ring | Without internal grounding block |
| 6103 001 0017 010 | 4-40 UNC | Knurled thumb screw | Without ring | |
| 6103 001 1017 010 | M3 | Hexagonal screw with captive washer | 1 & Knurled head | |
| 6103 001 2017 010 | 4-40 UNC | Hexagonal screw with captive washer | 3 | |
| 6103 001 3017 010 | M3 | Knurled thumb screw | With ring | |

| | | | | | | | |
|---|--|-----------------|---------------------|----------------------|---------------------------|--------------------|--|
| Coating | A= | mm ² | V= | mm ³ | m= | g | Mat. RN 09630091 |
| | All Dimensions in mm Original Size DIN A3 | | Scale | Free size tol. | | Ref. | |
| | 1:1 | | | | Sub. | | |
| | All rights reserved Department EL PD | | Created by ZENGO | Inspected by LUOK | Standardisation ROEBEN | Date 2021-12-29 | State Final Release |
| Title InduCom 25P top side entry hood assembly | | | Type TB | | Number 6103001Y017 | | Doc-Key / ECM-Nr. 10088774/UGD/000/A 50000207961 |
| HARTING D-32339 Espelkamp | | | Rev. A | | Page 1/1 | | |