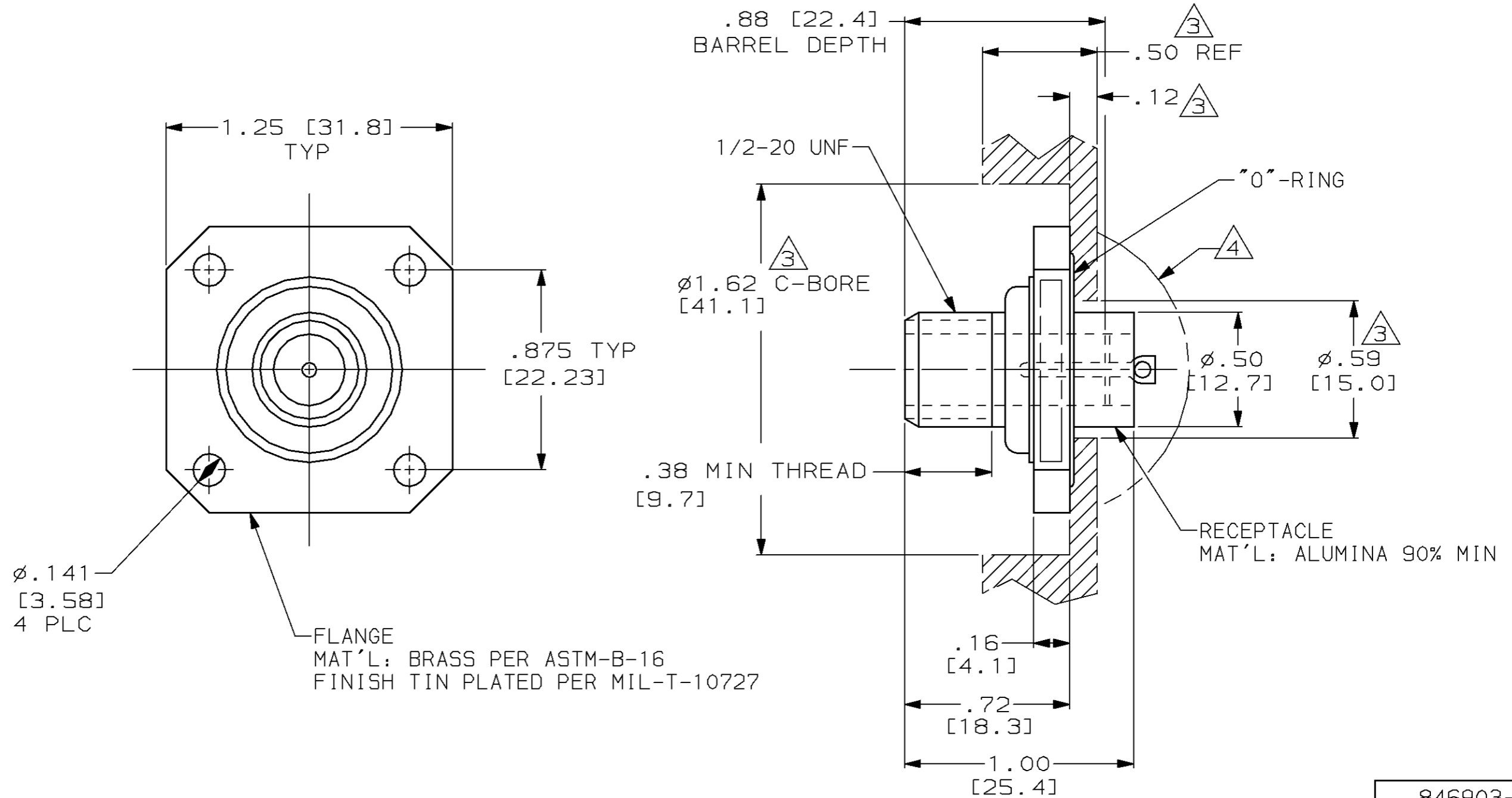


THIS DRAWING IS UNPUBLISHED. RELEASED FOR PUBLICATION, 19 .
 © COPYRIGHT 19 BY AMP INCORPORATED. ALL RIGHTS RESERVED.

LOC	DIST	REVISIONS			
P	LTR	DESCRIPTION	DATE	DWN	APVD
DF	SO	E	REV & REDRAWN; 0600-4612-95	6-96	CT SG



- RECEPTACLE TO MATE WITH AMP RFI SHIELDED LGH-1 LEAD ASSY.
- MARKED PER MIL-STD-130.
- CUSTOMER BULKHEAD MOUNTING DIMENSIONS.
- CUSTOMER TO PROTECT THIS END AGAINST VOLTAGE BREAKDOWN.

846903-1
PART NO.

THIS DRAWING IS A CONTROLLED DOCUMENT.		DWN C.C. THOMAS 6-14-96	AMP AMP Incorporated Harrisburg, PA 17105-3608
		CHK S. GLATFELTER 7-8-96	
DIMENSIONS: INCHES [mm]		APVD S. GLATFELTER 7-8-96	NAME
TOLERANCES UNLESS OTHERWISE SPECIFIED:		PRODUCT SPEC	
0 PLC ±-		APPLICATION SPEC	
1 PLC ±-		WEIGHT	
2 PLC ±.02 [0.5]		SIZE	
3 PLC ±.005 [0.13]		CAGE CODE	
4 PLC ±-		DRAWING NO	
ANGLES ±-		A3 00779 C-846903	
MATERIAL	FINISH	SCALE 2:1 SHEET 1 OF 1 REV E	
CUSTOMER DRAWING			