

THIS DRAWING IS UNPUBLISHED.

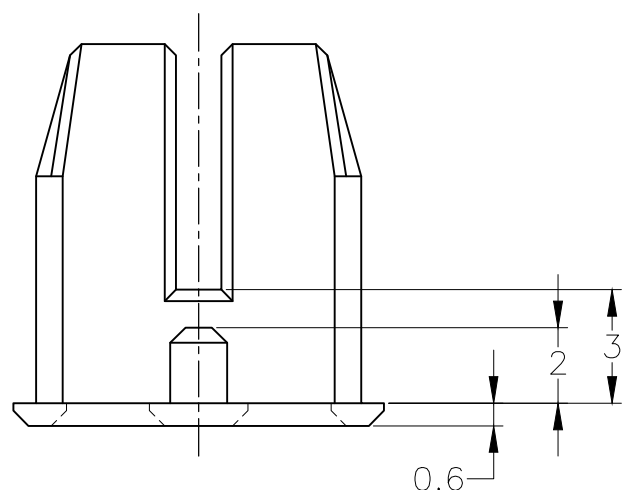
RELEASED FOR PUBLICATION

ALL RIGHTS RESERVED.

© COPYRIGHT - By -

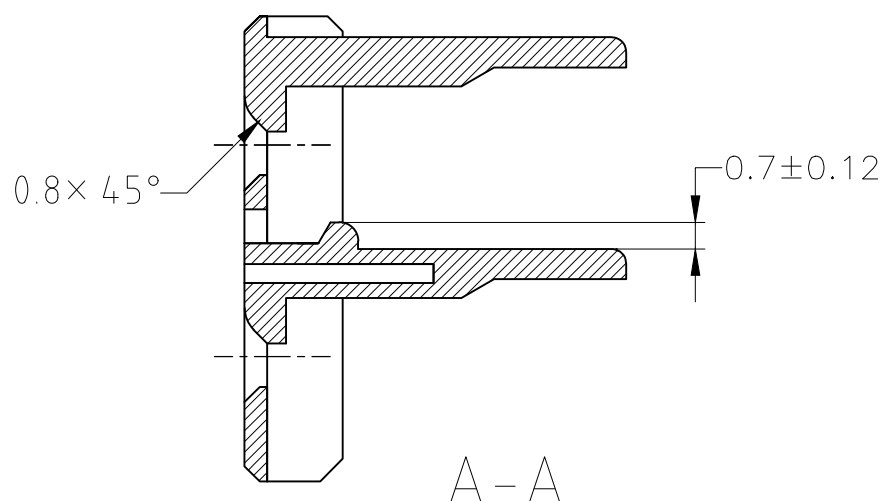
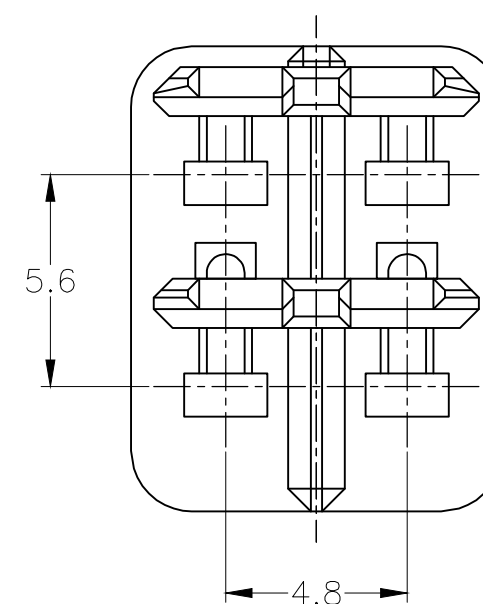
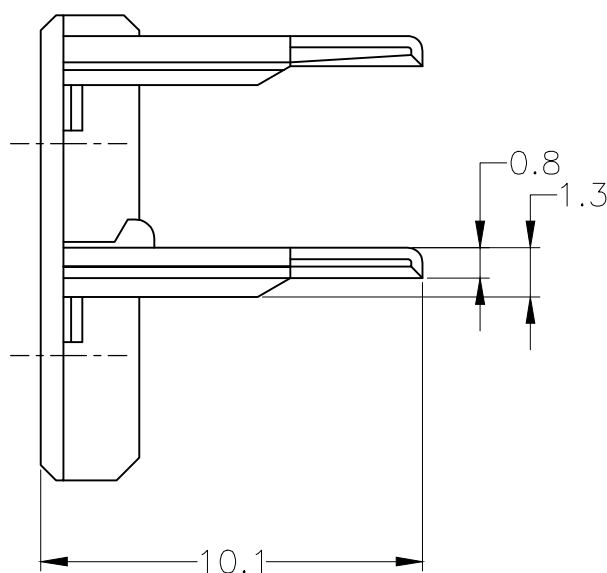
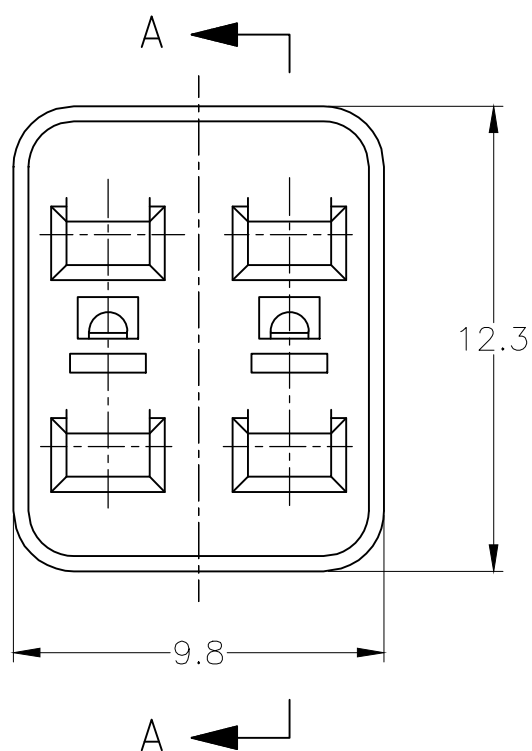
REVISIONS

P	LTR	DESCRIPTION	DATE	DWN	APVD
	B5	REVISED	ECR-18-009736	22JUN2018	TS HY



1. 本品はプラグハウジング型番174257及び2822391に装着される

1. TO BE MATES WITH CAP HOUSING PART NUMBER 174257 AND 2822391

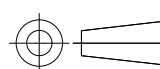


HB	自然色 (NATURAL)	1-174258-1
V-2	黄 (YELLOW)	174258-7
使用材料難燃グレード (FLAMMABILITY OF MATERIAL)	色 (COLOR)	型番 (PART NUMBER)

THIS DRAWING IS A CONTROLLED DOCUMENT.

DIMENSIONS:

mm



TOLERANCES UNLESS OTHERWISE SPECIFIED:

0 PLC	± -
1 PLC	± -
2 PLC	± -
3 PLC	± -
4 PLC	± -
ANGLES	± -
FINISH	-

MATERIAL

SEE TABLE

DWN T.SHINOHARA 01SEP10

CHK K.BETSUI 01SEP10

APVD K.BETSUI 01SEP10

PRODUCT SPEC 108-5262

APPLICATION SPEC

WEIGHT 0.3 g

CUSTOMER DRAWING

NAME

4POSITION ECONOSEAL J MK-II+ CONNECTOR
DOUBLE LOCK PLATE FOR PLUG HOUSING

SIZE

CAGE CODE

DRAWING NO

RESTRICTED TO

A3

00779

C-174258

SCALE 5:1

SHEET 1 OF 1

REV B5

一般公差 (GENERAL TOLERANCE)	
10以下	±0.2
10を超え 30以下	±0.25
30を超え 100以下	±0.3
角 度	±3°

STE TE Connectivity Ltd.