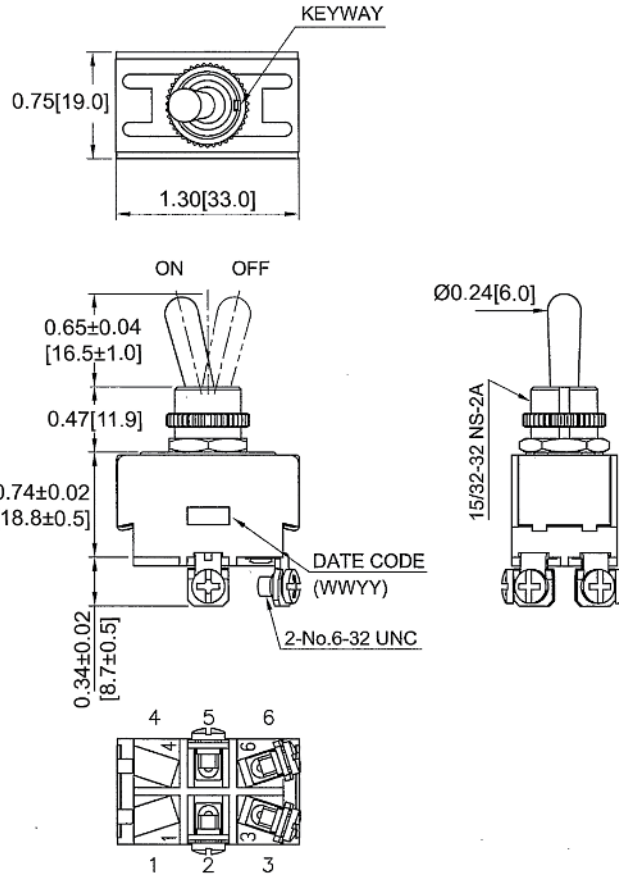
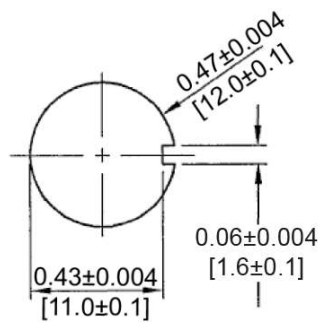


## Mechanical Dimensions: Inches [mm]

Tolerances  $\pm 0.012$  [0.3] Unless Otherwise Specified



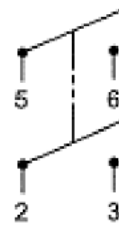
## Mounting Hole



Thickness: 0.24 [6.0mm] max

## Circuit Diagram

4P DPST OFF-ON



## Electrical Specifications

**Rating** 20A 125V AC, 10A 277V AC, 1 1/2HP 125-250V AC  
10(4)A 125/250V AC

**Contact Resistance** 50m ohm Max

**Insulation Resistance** DC 500V 100M ohm Min

**Dielectric Strength** AC 1500V 1 minute

**Operation Temperature** 1200gf±300gf

## Material Specifications

1 Hex Nut Assy

1 Knurl Nut Assy

<b>Rev</b>	<b>Date of issue</b>	<b>Revision Notes</b>	<b>Designed</b>	<b>Approved</b>
B	11-30-2021	Initial Drawing	RC	OF