

Ratings

Voltage: 600 V
 Temperature: -40~105 °C
 Flammability: FT2

Conductor

Conductor count: 2
 Gauge: 26 0.13 mm²
 Material: tinned copper strands
 Strand size: $\varnothing 0.08 \times 26$
 Resistance at 20 °C: 150 Ω /km max

Insulator

Material: mPPE
 Color: red, black
 Diameter: $\varnothing 1 \pm 0.10$
 Average thickness: 0.25 mm
 Minimum thickness: 0.2 mm
 Resistance at 20 °C: 100 M Ω /km min

Shield

Type: foil
 Material: aluminum mylar
 Coverage: 100%

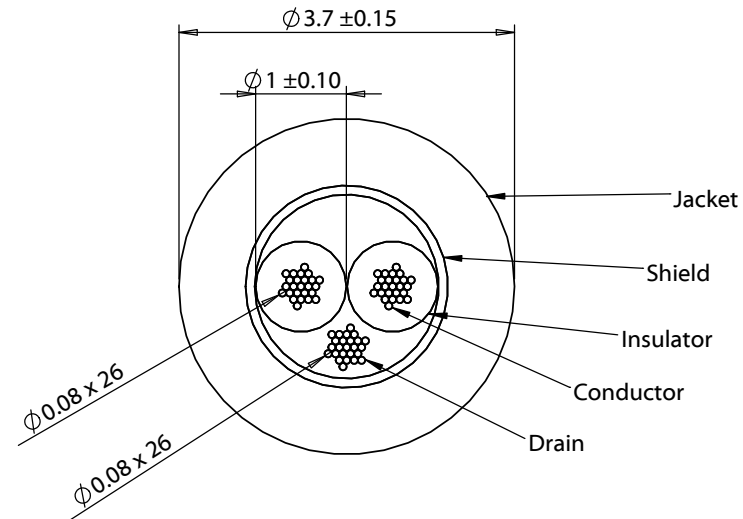
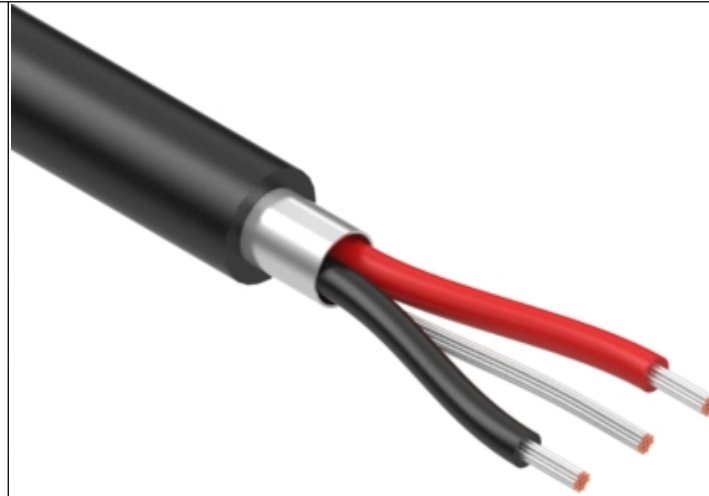
Outer jacket

Material: mPPE, 85A
 Color: black
 Diameter: $\varnothing 3.7 \pm 0.15$
 Average thickness: 0.8 mm
 Minimum thickness: 0.56 mm

Wire marking: E339579 UL AWM STYLE 21509 26 105°C
 600V --- cUL AWM I A 105°C 600V FT2 TENSILITY

Bend radius

Minimum: 6 times diameter (22.2 mm)



| | | |
|-----------|-----------|-----------------|
| Revision: | Date: | Description: |
| A | 4/20/2020 | Initial release |
| | | |
| | | |
| | | |

Prepared:
JC
Digitally signed by JC
 Date: 2020.04.22
 16:45:26 -07'00'

Verified:
AW
Digitally signed by AW
 Date: 2020.04.22
 16:54:10 -07'00'

Dimensions are in millimeters.
 Tolerances:
 X: ± 0.5 mm
 X.X: ± 0.3 mm
 X.XX: ± 0.05 mm

Notes:
 RoHS compliant
 Phthalate and halogen free

Description:
 Wire, 2C TS, 26 AWG, 21509, 600V, 105C, 3.7 mm, shielded, FT2, mPPE

TENSILITY

tel 1.541.323.3228 800 877.670.7118
 fax 1.541.323.4202 web tensility.com

| | |
|--------------|--------------|
| Size: | Part number: |
| A | 30-01410 |
| Scale: 12:1 | |
| Sheet 1 of 1 | |