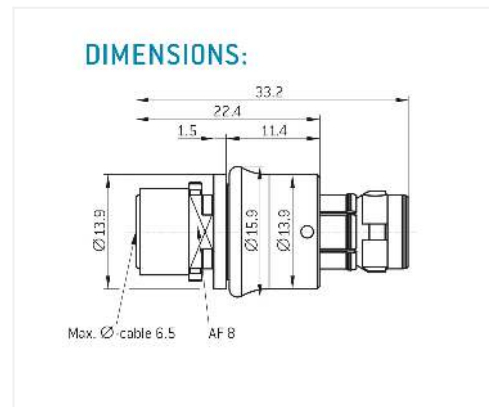
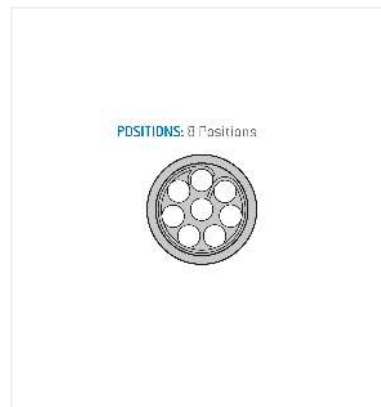
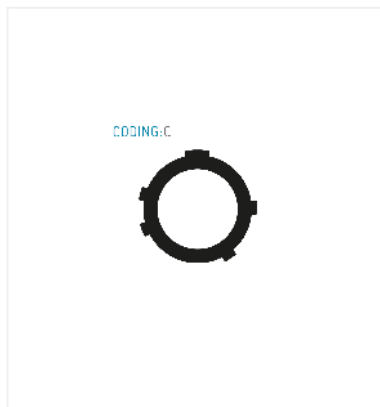


## General information

Part number	S11YCR-P08XFG0-0000
Termination	solder
Size	1
Locking principle	push
Coding	c_key_amc
Cable Diameter	cable_amc_1
Cable outlet	overmolding



## Contact insert description

Number of contacts	8
Contact type	pins
Contact diameter	07mm
Insulator material	peek
Wire cross section	22_awg
Termination	solder
Termination diameter	085mm

reverse\_gender\_on\_request

## Technical information

Nominal current single contact	07_a	iec_60512_5_2
Nominal current insert	4,55 A	vde_0298_4
Test voltage	1_kv_ac	eia_364_20f

safety\_text

## Mechanical and environmental data

Degree of protection*	ipsk8_ip6k9k
-----------------------	--------------

Operating temperature	51_125_c
-----------------------	----------

Mating cycles	5000
---------------	------

mated

## Material and surface treatments

Housing	ruthenium
---------	-----------

Contact	cu_alloy_gold
---------	---------------

safety\_text\_2

ul\_text

illustrative\_text