



Midas Touch

DUAL CAMERA MODULE

PRODUCTION SPECIFICATIONS



USB2.0 IR/HDR Double CAMERA Model

No. : DCEA23-TC1



Revision History

Date	Rev.	Contents
2020/01/07	V1.0	First release



Table of Contents

Table of Contents

1. Features	3
2. Key Specification	4
3. Pin Description.....	5
4. Outline Specification	6
5. Ordering Information	7



1. Features

- 1/2.7" 2M HDR Camera Module
- 1/2.7" 2M IR Camera Module
- Max frame rate up to 30fps
- Compliant USB 2.0 and USB Video Class
- Support still image capture and video streaming
- Automatic image control
 - ◆ Automatic Exposure Control (AEC)
 - ◆ Automatic White Balance (AWB)
 - ◆ Automatic Gain Control (AGC)
- Input Voltage: 5V
- Operate Temperature Range : -30°C~+70°C



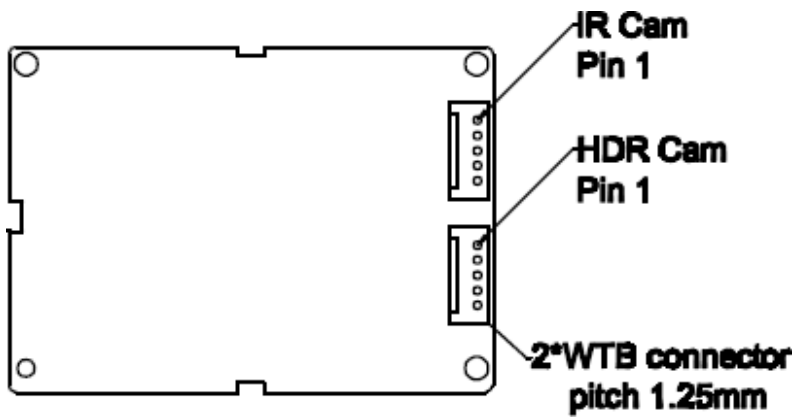
2. Key Specification

	IR Camera	HDR Camera
Interface	USB2.0	USB2.0
Compatibility	USB Video Class	USB Video Class
Image Sensor	1/2.7" CMOS sensor	1/2.7" CMOS sensor
CMOS sensor Active Pixels	1920(H) x 1080(V)	1920(H) x 1080(V)
Pixel Size	3.0 x 3.0 μm	3.0 x 3.0 μm
Shutter Type	Electronic rolling shutter	Electronic rolling shutter
Image/Video Format	YUY2, MJPG	YUY2, MJPG
Output Interface	USB2.0	USB2.0
Operating Temperature	-30°C to +70°C	-30°C to +70°C
FOV	D: 95.8° H: 87.8° V: 57.2°	D: 95.8° H: 87.8° V: 57.2°
Lens Construction	1G+4P+ IR	1G+4P+ IR
IR Filter	$T_{\text{avg}} \geq 90\%$ 850 \pm 10nm	$T_{\text{avg}} \geq 97\%$ 440~635 nm
Max Frame Rate	30 fps @71080P, MJPG	30 fps @1080P, MJPG
Operate Temperature	-30°C ~+70°C	-30°C ~+70°C
Stable image Temperature	0°C ~+60°C	0°C ~+60°C



3. Pin Description

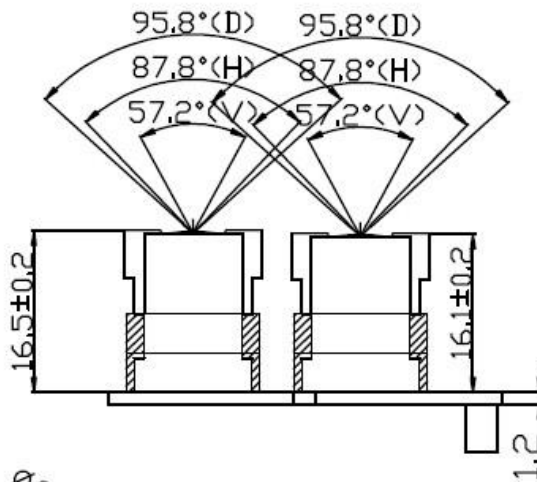
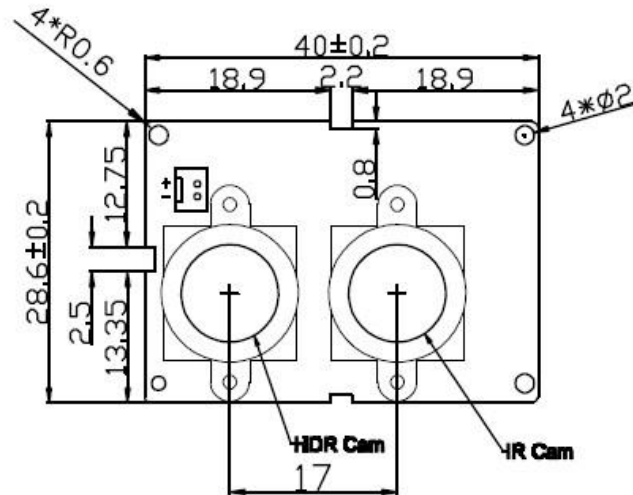
Pin Description			
Pin Number	Name	Pin Type	Function Description
1	VCC	Power	USB Power Supply 5.0V
2	D-	Data Pin	USB Data Transmission
3	D+	Data Pin	USB Data Transmission
4	GND	GND	System Ground
5	GND	GND	System Ground



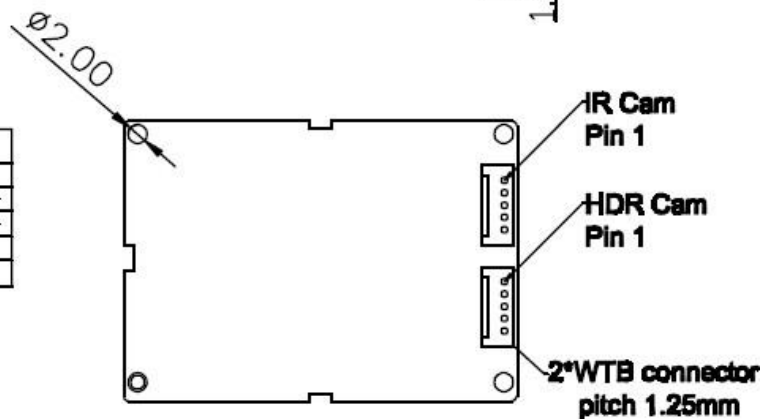


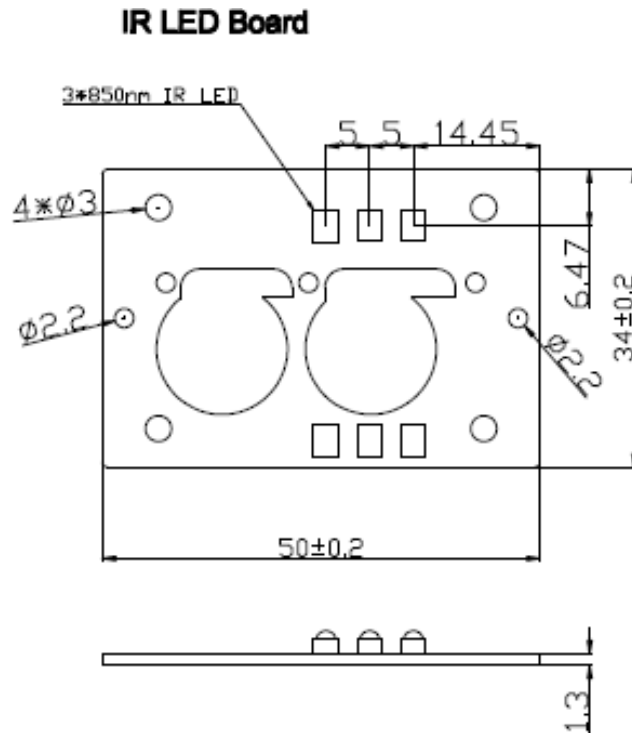
4. Outline Specification

Camera Board

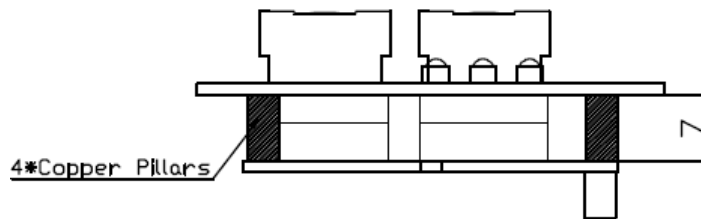


Pin No	Definition
PIN1	VCC 5V
PIN2	USB D-
PIN3	USB D+
PIN4	GND
PIN5	GND





Assembly



5. Ordering Information

Part Number	Product Description
DCEA23-TC1	Dual Cam Module
LEDIR1-3R	3*IR LED Board
LEDIR1-6R	6*IR LED Board
DCEA23-TC1-3R	Dual Cam Module with LEDIR1-3R
DCEA23-TC1-6R	Dual Cam Module with LEDIR1-6R