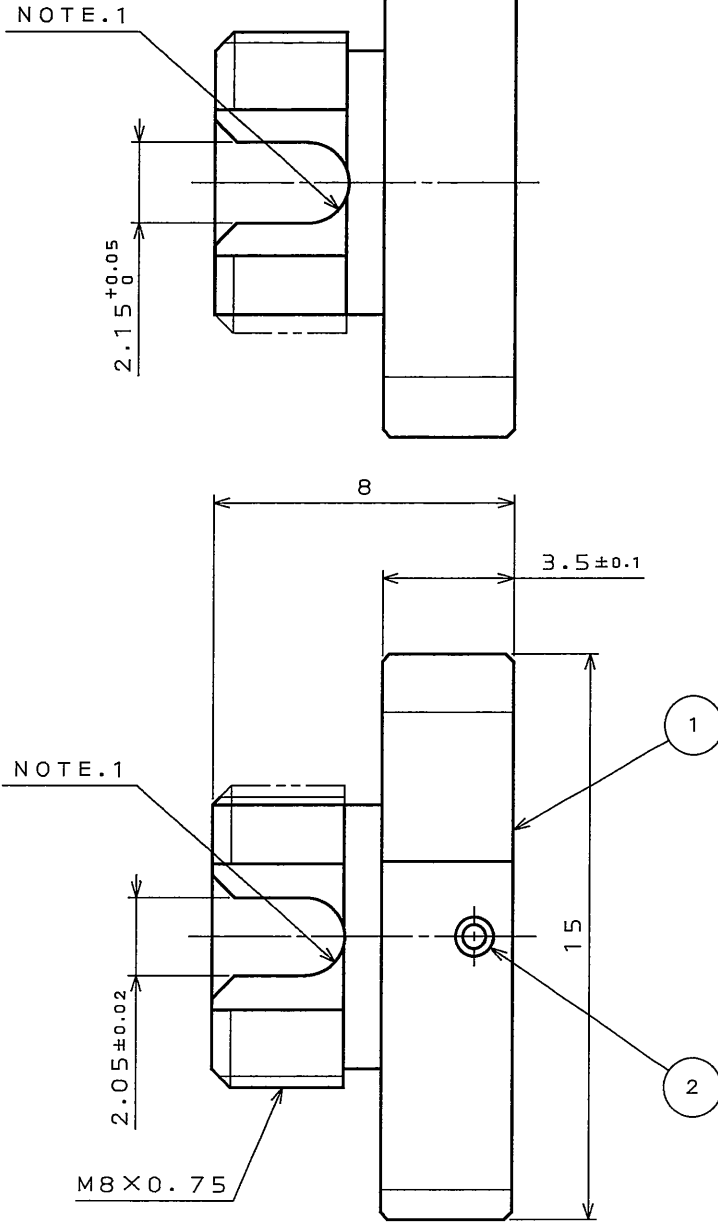


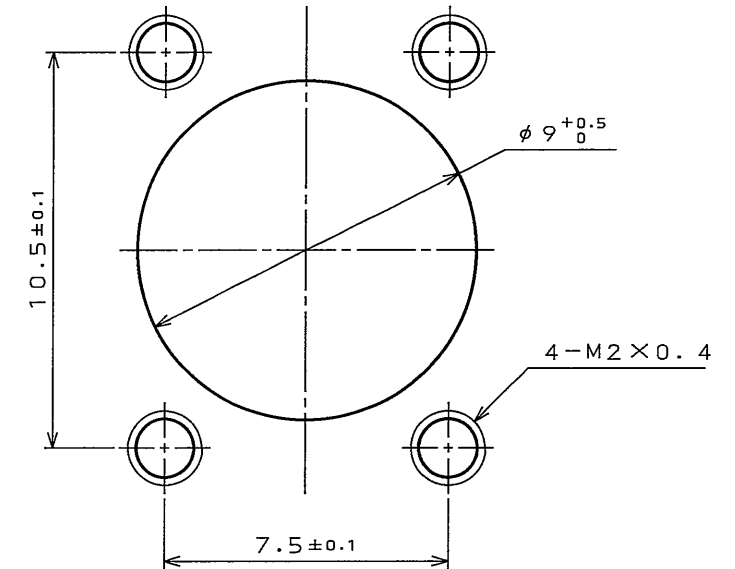
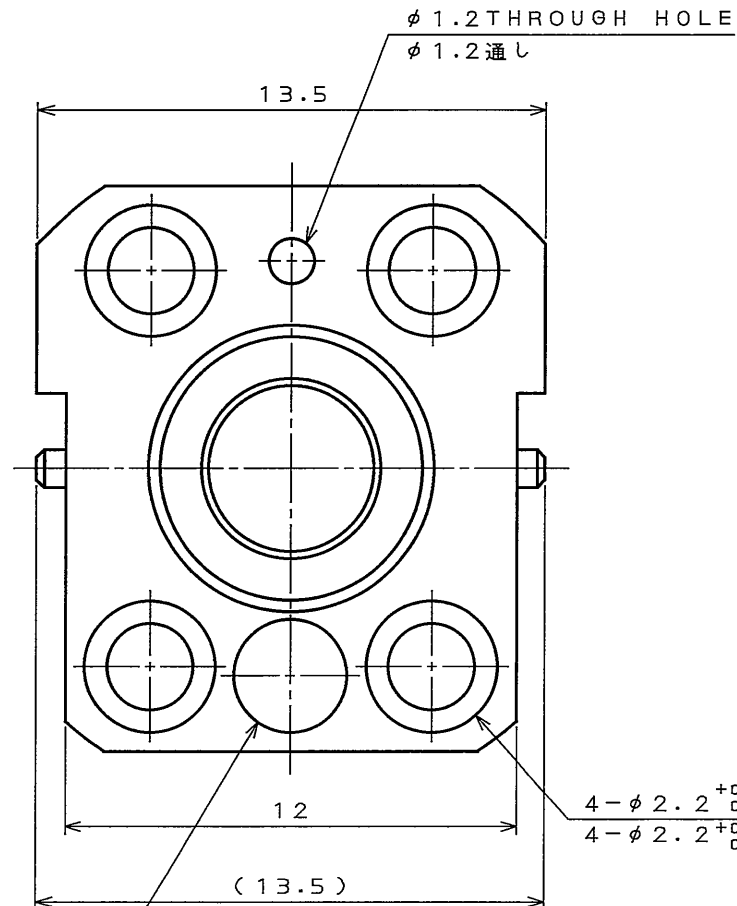
SJ104350

(DRAWING NO.) 図番

| 版数<br>REV. | 年月日<br>DATE | DCN NO. | 変更内容<br>DESCRIPTION | 製図<br>DR. | 担当<br>CHK. | 査閲<br>APPD. | 承認<br>APPD. |
|------------|-------------|---------|---------------------|-----------|------------|-------------|-------------|
|            |             |         |                     |           |            |             |             |
|            |             |         |                     |           |            |             |             |



note.1  
The shape of indicated radius part is not strict requirement.  
指示部の形状は、R形状でなくともよい。



APPLICABLE PANEL DIMENSION (REFERENCE)

パネル取り付け寸法(参考)

φ 3 DEPTH 0.3 SPOT FACING  
φ 3座ぐり深さ0.3

|                       |                   |                                   |                 |   |                     |
|-----------------------|-------------------|-----------------------------------|-----------------|---|---------------------|
| 2                     | PARALLEL PIN      | 2                                 | STAINLESS STEEL |   |                     |
| 1                     | REAR SHELL        | 1                                 | COPPER ALLOY    | NICKEL PLATING  |                     |
| 符号<br>NO.             | 名称<br>DESCRIPTION | 個数<br>QTY.                        | 材料<br>MATERIAL  | 仕上<br>FINISH  | 備考<br>REMARKS       |
| 仕様書(SPECIFICATION)    |                   | 第1版(ORIGINAL DATE)<br>30.Jun.2005 |                 | 尺度(SCALE)<br>5:1  | シリーズ(SERIES)<br>OPT |
| 公差(GENERAL TOLERANCE) |                   | 製図<br>DR.<br>Y.HIROKI             |                 | 名称(TITLE)<br>FO-FC-RS-A-R                                       |                     |
| 寸法(DIMENSION)         |                   | 担当<br>CHK.<br>Y.HIROKI            |                 | 日本航空電子工業株式会社<br>JAPAN AVIATION<br>ELECTRONICS<br>INDUSTRY, LTD. |                     |
| 角度(ANGLES)            |                   | 査閲<br>APPD.<br>H. Shinogi         |                 |   |                     |
| . ±0.8                |                   | 承認<br>APPD.<br>A. Onogawa         |                 |   |                     |
| .X ±0.4               |                   |                                   |                 | 図面番号(DRAWING NO.)<br>SJ104350                                   |                     |
| .XX ±0.1              |                   |                                   |                 | 質量(MASS)  |                     |
| .XXX ±                |                   |                                   |                 | 版数<br>(REV.)<br>1   |                     |

