

### APPLICATIONS

The premium-performance 05-CBLED22-32W-PRM-CP is a low-profile 2' x 2' LED center basket luminaire, which offers industry-leading lumens per watt (LPW). The 05-CBLED22-32W-PRM-CP is designed as a direct replacement for 2' x 2' fluorescent luminaires installed in grid or plaster ceilings. It is also designed to deliver general ambient lighting in a variety of indoor settings, including schools, offices, hospitals and stores, and is the perfect choice for both new construction and retrofits. This high-efficacy luminaire provides long-life and uniform illumination, as well as standard 0-10vdc dimming capability.

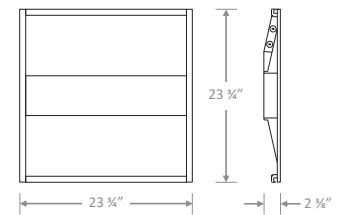
### FEATURES

- Available in 3000k (warm white), 3500k (warm/neutral white), 4000k (neutral white) & 5000k (cool white) color temperatures.\*
- Long-life LEDs provide 199,000 hours of operation with at least 70% of initial lumen output ( $L_{70}$ ).\*\*
- Provides 4,195 luminaire lumens (131 lumens per watt, LPW) at 3000k; 4,293 luminaire lumens (134 LPW) at 3500k; 4,371 luminaire lumens (137 LPW) at 4000k; and 4,527 luminaire lumens (141 LPW) at 5000k.\*
- Uniform illumination with no visible LED pixelation.
- Universal 120-277 AC voltage (50-60Hz) is standard.
- 0-10vdc dimming capability is standard.
- Power factor > 0.90.
- Total harmonic distortion < 20%.
- Color rendering index > 80.
- Steel housing and acrylic lens.
- Easy installation in new construction or retrofit. Fits in standard 2' x 2' grid ceilings.
- Standard earthquake clips provide secure installation in grid ceilings.
- Standard mounting options include recessed mounting in grid ceilings, or suspended mounting using attached hanging brackets. For other mounting options, see Mounting Kits.

\* Contact factory for other color temperatures and lumen packages.

\*\*  $L_{70}$  hours are IES TM-21-11 calculated hours.

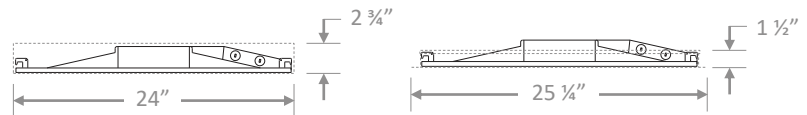
### DIMENSIONS



### MOUNTING KITS

Optional **Surface Mount Kits** (LEDSMKT-22) provide for installation on plaster or other hard ceilings.

**Flange Mount Kit** (FLANGEKIT22-ET) mounts above plaster or other hard ceilings, and the center basket is mounted flush to the ceiling.



### WARRANTY & LISTINGS

- UL listed for damp locations and insulated ceilings (IC-rated) for use in ambient temperatures from -20°C to 40°C (-4°F to 104°F).
- DLC Premium listed.
- Flicker-free per IEEE1789-2015 (low risk of adverse effects of flicker at 100% light output level).
- Complies with RoHS (Restriction on Hazardous Substances) requirements.
- Complies with FCC Part 15, part B.
- Complies with IEEE C.62.41-1991, input transient surge protection (2kV).
- 5-year warranty of all electronics and housing.

### PRODUCT PARAMETER

| MODEL        | LUMINAIRE WATTS | LUMINAIRE LUMENS | LUMENS PER WATT | COLOR TEMPERATURE | INPUT VOLTAGE | DLC LISTING | OPTIONS   |
|--------------|-----------------|------------------|-----------------|-------------------|---------------|-------------|---|
| CLTR22D-3230 | 32              | 4195             | 131             | 3000K             | (120-277V)    | DLC Premium | SMK22 = Surface Mounting Kit for 2x2<br>FLANGE22 = Flange Mounting Kit for 2x2<br>PNL-CMK6 = Cable Mounting Kit, Quantity 6, 1 meter long, 1/16" diameter, with spring clips & adjustable, locking ceiling attachment |
| CLTR22D-3235 | 32              | 4293             | 134             | 3500K             |               |             |   |
| CLTR22D-3240 | 32              | 4371             | 137             | 4000K             |               |             |   |
| CLTR22D-3250 | 32              | 4527             | 141             | 5000K             |               |             |   |

### ELECTRICAL DATA

| MODEL        | COLOR TEMP. | CRI <sup>1</sup> | LUMINAIRE LUMENS | LUMINAIRE WATTS | LUMENS/WATT | INPUT VOLTAGE <sup>2</sup> | INPUT CURRENT (A) |      |      | POWER FACTOR | THD <sup>3</sup> | L <sub>70</sub> HOURS <sup>4</sup> |
|--------------|-------------|------------------|------------------|-----------------|-------------|----------------------------|-------------------|------|------|--------------|------------------|------------------------------------|
|              |             |                  |                  |                 |             |                            | 120V              | 240V | 277V |              |                  |                                    |
| CLTR22D-4030 | 3000k       | >80              | 4195             | 32              | 131         | 120-277                    | 0.27              | 0.13 | 0.12 | >90%         | <20%             | 199,000                            |
| CLTR22D-4035 | 3500k       | >80              | 4293             | 32              | 134         | 120-277                    | 0.27              | 0.13 | 0.12 | >90%         | <20%             | 199,000                            |
| CLTR22D-4040 | 4000k       | >80              | 4371             | 32              | 137         | 120-277                    | 0.27              | 0.13 | 0.12 | >90%         | <20%             | 199,000                            |
| CLTR22D-4050 | 5000k       | >80              | 4527             | 32              | 141         | 120-277                    | 0.27              | 0.13 | 0.12 | >90%         | <20%             | 199,000                            |

<sup>1</sup> Color rendering index.

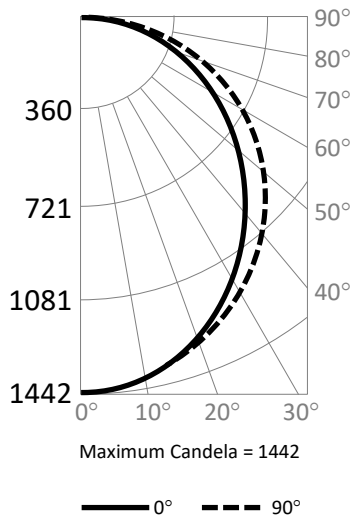
<sup>2</sup> All 50-60Hz.

<sup>3</sup> Total harmonic distortion.

<sup>4</sup> L<sub>70</sub> refers to the number of hours at which lumen output declines to 70% of the initial level. L<sub>70</sub> hours are IES TM-21-11 calculated hours.

### PHOTOMETRIC DATA

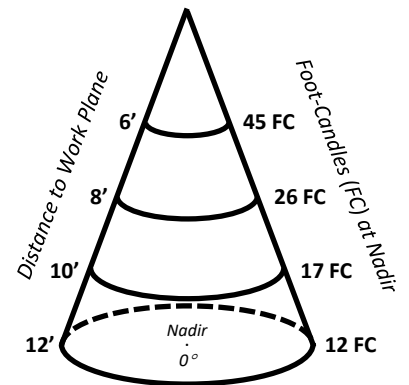
#### CLTR22D-3250 (4,195 Lumens)



|     | 0°    | 90°   |
|-----|-------|-------|
| 0°  | 1,437 | 1,437 |
| 10° | 1,401 | 1,406 |
| 20° | 1,307 | 1,325 |
| 30° | 1,158 | 1,204 |
| 40° | 972   | 1,051 |
| 50° | 762   | 887   |
| 60° | 541   | 723   |
| 70° | 318   | 561   |
| 80° | 117   | 314   |
| 90° | 1     | 1     |

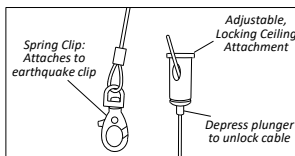
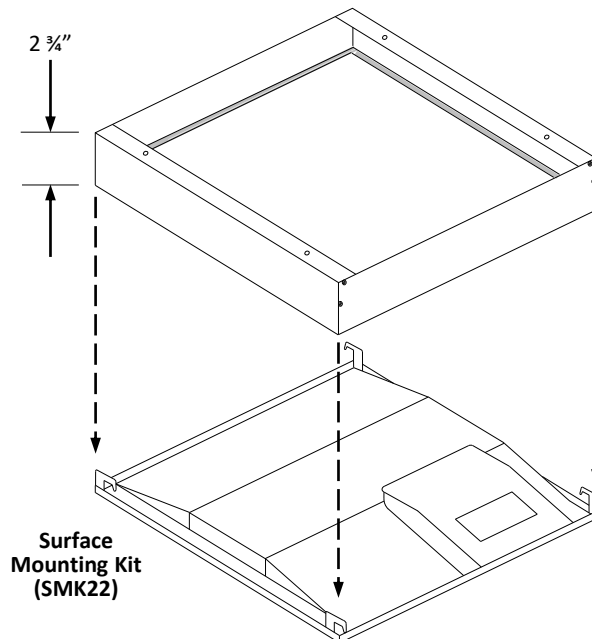
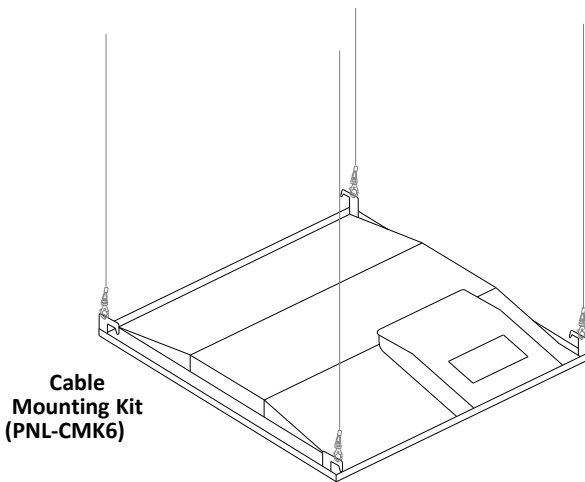
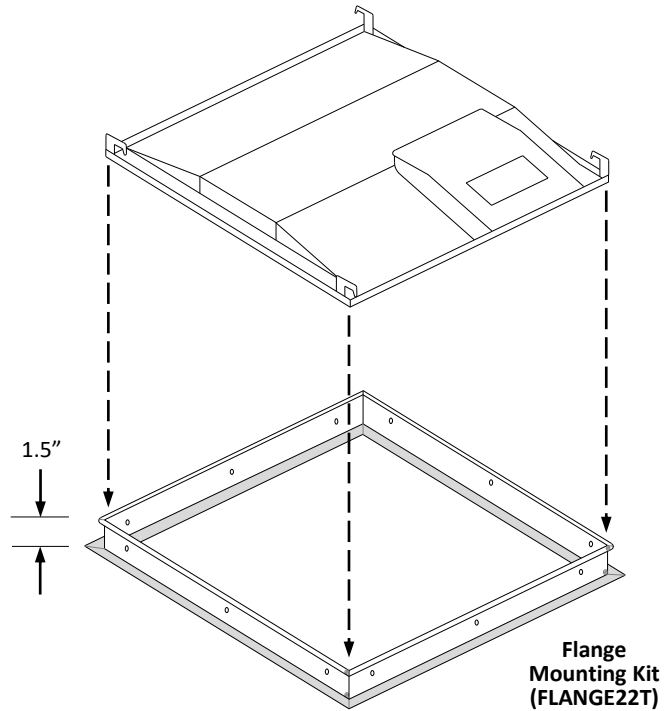
| Zone       | Lumens | % Fixture |
|------------|--------|-----------|
| 0° - 10°   | 136    | 3.2%      |
| 0° - 20°   | 523    | 12.5%     |
| 0° - 30°   | 1,105  | 26.3%     |
| 0° - 40°   | 1,799  | 42.9%     |
| 0° - 50°   | 2,515  | 60.0%     |
| 0° - 60°   | 3,173  | 75.6%     |
| 0° - 70°   | 3,712  | 88.5%     |
| 0° - 80°   | 4,081  | 97.3%     |
| 0° - 90°   | 4,188  | 99.8%     |
| 90° - 180° | 7      | 0.2%      |
| 0° - 180°  | 4,195  | 100.0%    |

#### Cone of Light



### MOUNTING KITS (Continued)

- Optional Surface Mounting Kit (SMK22) mounts below the ceiling.
- Optional Flange Mount Kit provides for recessed installation on plaster or other hard ceilings. Attach Flange Mount Kit (FLANGE22) to ceiling joists or other stationary structures, and the panel is mounted flush to the ceiling.
- Optional Cable Mount Kit provides additional security, as well as suspended mounting. Attach one end of the Cable Mount Kit (PNL-CMK6) to luminaire earthquake clips using spring clips, and attach the other end to stationary structures using the adjustable, locking ceiling attachment (see picture below right).



- Cable Mount Kit:**
- Spring Clip
  - Adjustable, locking ceiling attachment