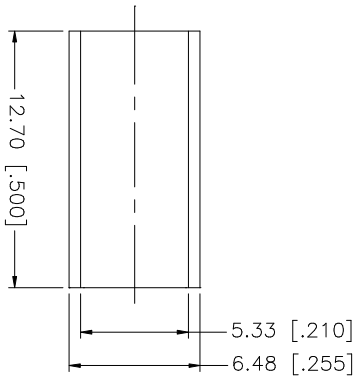
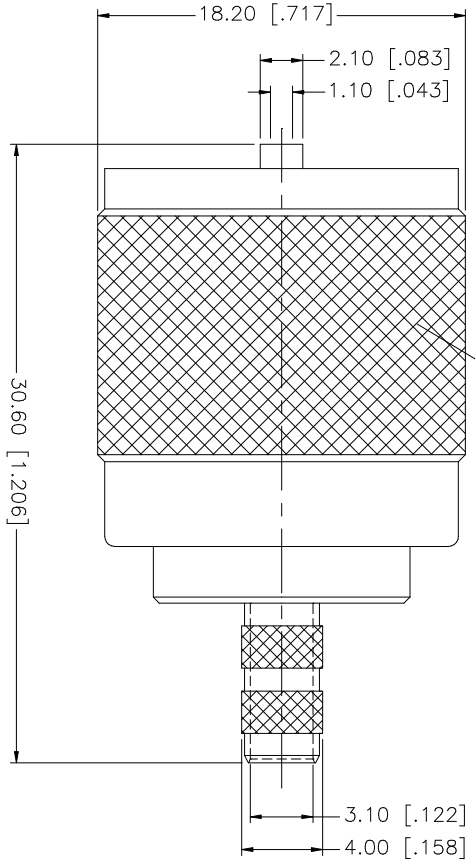
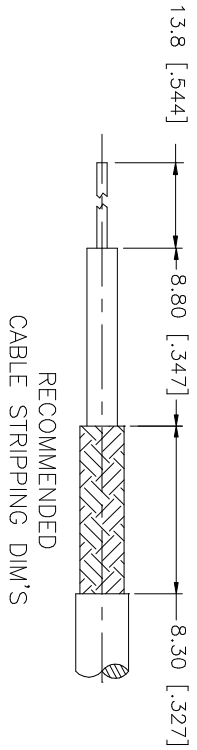


REV.	DATE	DESCRIPTION
A	02/27/01	ADD CABLE DESCRIPTION
B	07/29/02	MODIFY PART SIZE AND DESCRIPTION
C	01/17/06	UPDATE DRAWING FORMAT



QTY	DESCRIPTION	MATERIAL	FINISH	QTY	UNLESS OTHERWISE SPECIFIED DIMENSIONS ARE IN INCHES AND FOR CUSTOMER REFERENCE ONLY.	UNLESS OTHERWISE SPECIFIED TOLERANCES FOR MILLIMETERS ARE:	UNLESS OTHERWISE SPECIFIED DIMENSIONS ARE IN INCHES AND FOR CUSTOMER REFERENCE ONLY.	UNLESS OTHERWISE SPECIFIED TOLERANCES FOR MILLIMETERS ARE:	UNLESS OTHERWISE SPECIFIED DIMENSIONS ARE IN INCHES AND FOR CUSTOMER REFERENCE ONLY.	UNLESS OTHERWISE SPECIFIED TOLERANCES FOR MILLIMETERS ARE:
1	8 FERRULE	COPPER	NICKEL	1	0.020 - .315 = ± 0.007"	0.05 - 0.20mm ± 0.020mm	0.020 - .315 = ± 0.007"	0.05 - 0.20mm ± 0.020mm	0.020 - .315 = ± 0.007"	0.05 - 0.20mm ± 0.020mm
1	7 HEX NUT	BRASS	NICKEL	1	.315 - 1.180 = ± 0.015"	0.20 - 1.20mm ± 0.50mm	.315 - 1.180 = ± 0.015"	0.20 - 1.20mm ± 0.50mm	.315 - 1.180 = ± 0.015"	0.20 - 1.20mm ± 0.50mm
1	6 WASHER	BRASS	NICKEL	1	1.180 - 4.724 = ± 0.020"		1.180 - 4.724 = ± 0.020"		1.180 - 4.724 = ± 0.020"	
1	4 GASKET	SILICONE	RED	1						
1	3 CONTACT PIN	BER. COPPER	GOLD	1						
1	2 INSULATOR BODY	TEFLON BRASS	NATURAL NICKEL	1						
	DESCRIPTION	MATERIAL	FINISH	QTY	DO NOT SCALE DRAWING					

**Amphenol Connex**

UHF CRIMP PLUG  
(FOR RG-142/U CABLE)

182310

APPROVALS	DATE	PART DESCRIPTION
G.R.S.	01/17/06	UHF CRIMP PLUG (FOR RG-142/U CABLE)
CAD FILE	C:/182/182310.DWG	DWG. NO. 182310.DWG
SHEET 1 OF 1		REV. C
		SIZE A
		SCALE NA