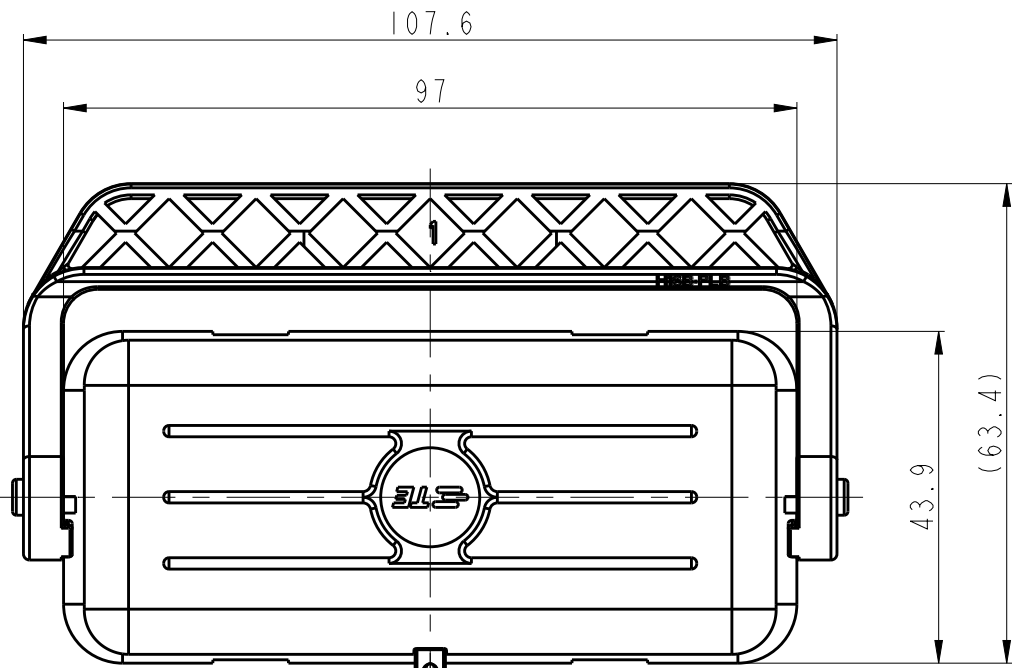
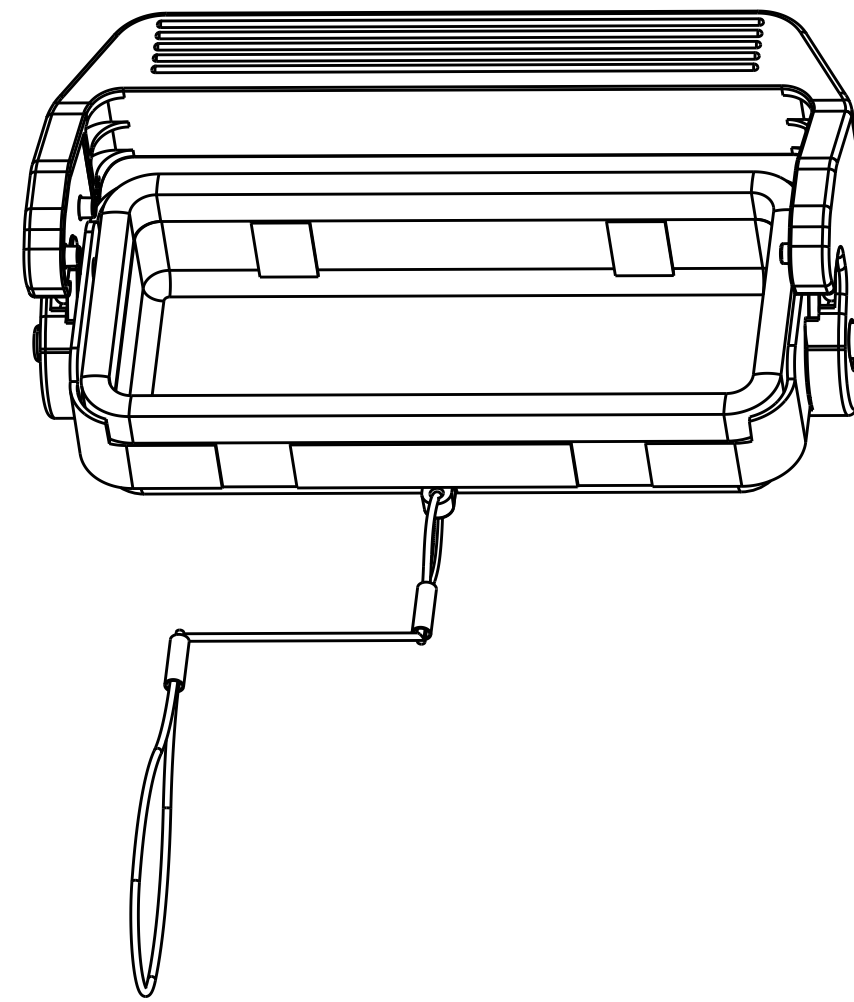


THIS DRAWING IS UNPUBLISHED. RELEASED FOR PUBLICATION
 © COPYRIGHT copyright.d8te- ALL RIGHTS RESERVED.

REVISIONS					
P	LTR	DESCRIPTION	DATE	DWN	APVD
	A	INITIAL	21JAN2017	CH	CW
	AI	ECR-17-007543	27MAY2017	CH	CW

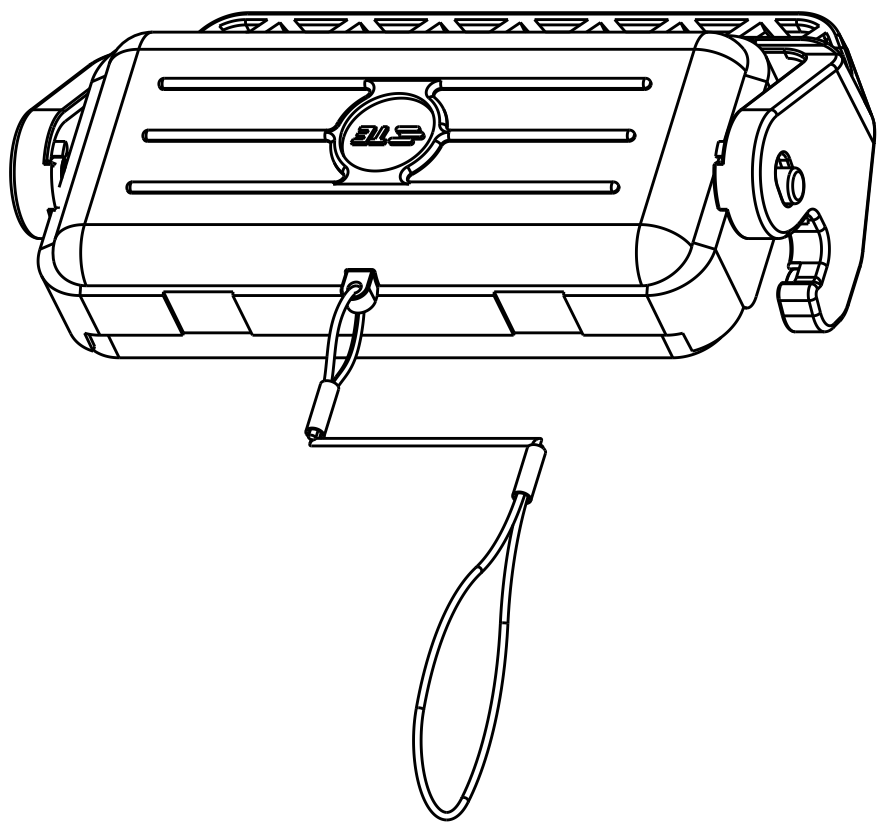
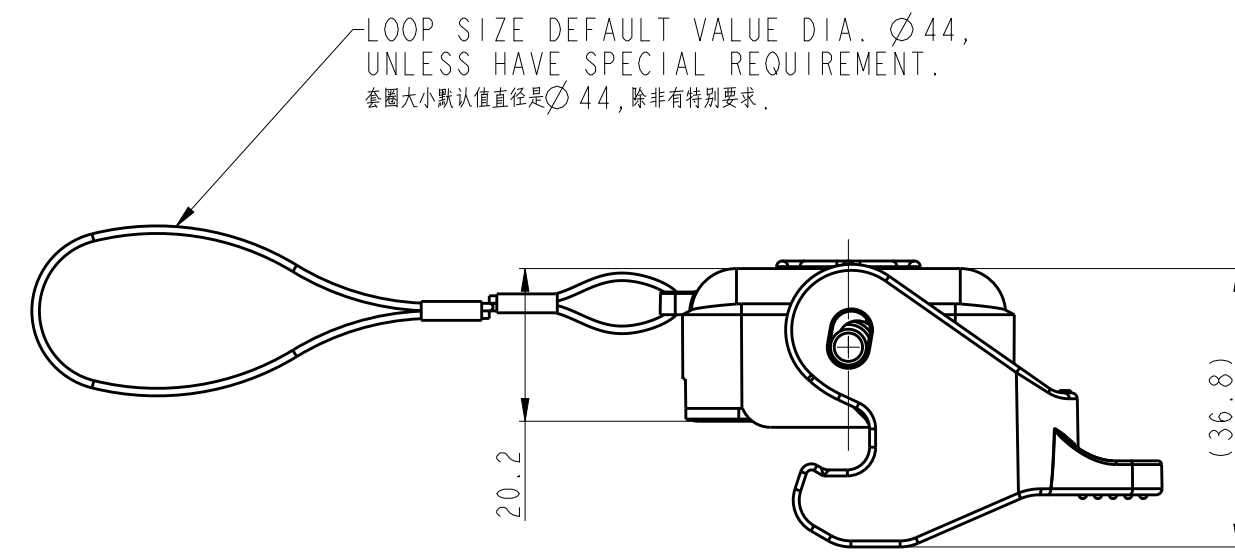
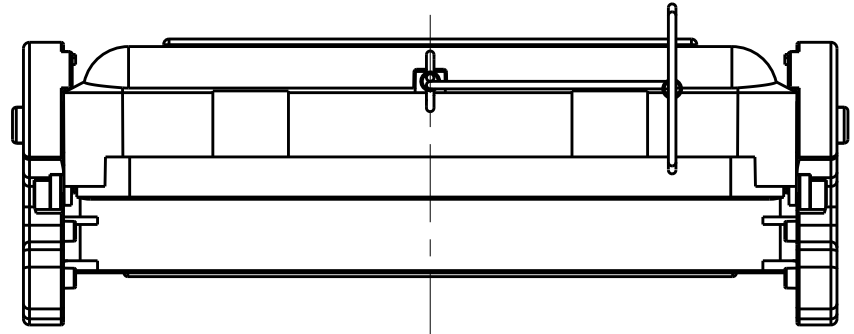


TRANSPARENT NYLON ROPE:
 TOTAL LENGTH 380mm,
 DIA. Ø1.0mm
 透明尼龙绳: 总长380mm, 直径Ø1.0mm



NOTES:
 1. TECHNICAL CHARACTERISTICS:
 COVER MATERIAL: PC, GREY
 PLASTIC SINGLE LOCKING MATERIAL: NYLON, GREY
 SEALING MATERIAL: EPDM, BLACK

注释:
 1. 技术参数:
 保护盖材质: PC, 灰色
 塑料单扣材质: 尼龙, 灰色
 密封材质: EPDM, 黑色



T1010161500-000	H16B-KDTP-LB	H16B HOOD PLASTIC PROTECTION COVER, PLASTIC SINGLE LOCKING, SEALING, NYLON ROPE, GREY H16B上壳塑料保护盖, 塑料单扣, 带密封, 尼龙绳, 灰色
PART NUMBER 料号	PART DESCRIPTION 描述	

THIS DRAWING IS A CONTROLLED DOCUMENT.		DWN CHARLIE HU 21 JAN 2017	TE Connectivity	
		CHK KYLE ZENG 21 JAN 2017		
		APVD CHRIS WANG 21 JAN 2017	NAME H16B-KDTP-LB	
DIMENSIONS: mm		TOLERANCES UNLESS OTHERWISE SPECIFIED:		PRODUCT SPEC
		0 PLC ±	1 PLC ±	APPLICATION SPEC
		2 PLC ±	3 PLC ±	
		4 PLC ±	ANGLES ±	
MATERIAL		FINISH	WEIGHT	RESTRICTED TO
CUSTOMER DRAWING		SCALE 1:1	SHEET OF	REV AI