

Customer Information Sheet

DRAWING No.: P70-10X0045R

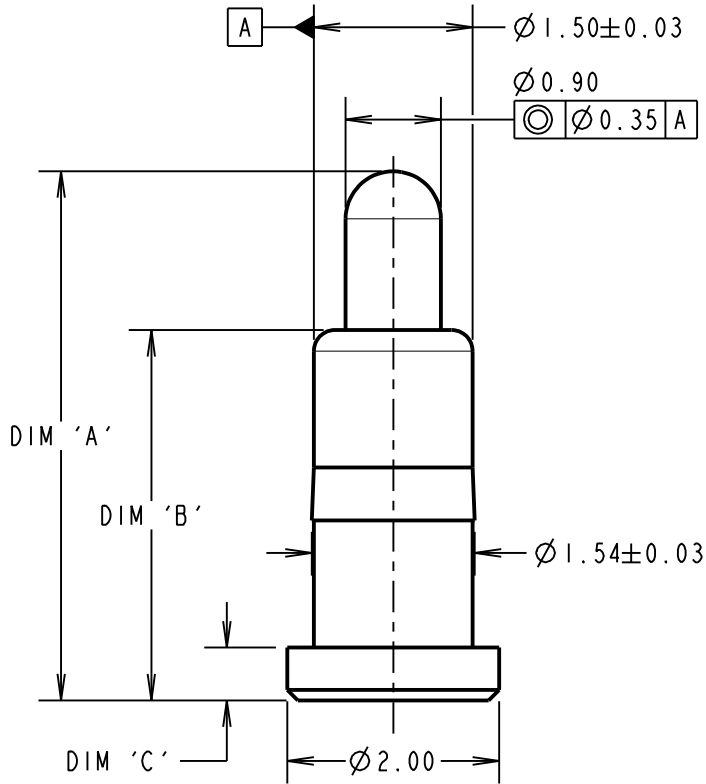
IF IN DOUBT - ASK

©

NOT TO SCALE

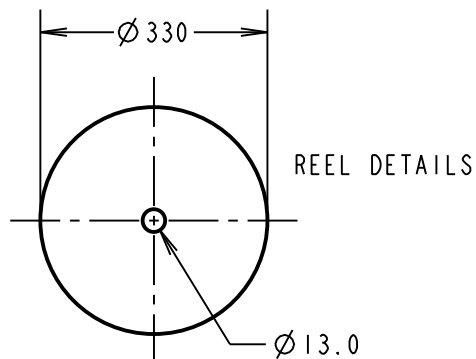
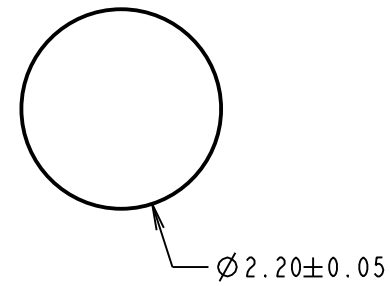
THIRD ANGLE PROJECTION

ALL DIMENSIONS IN mm

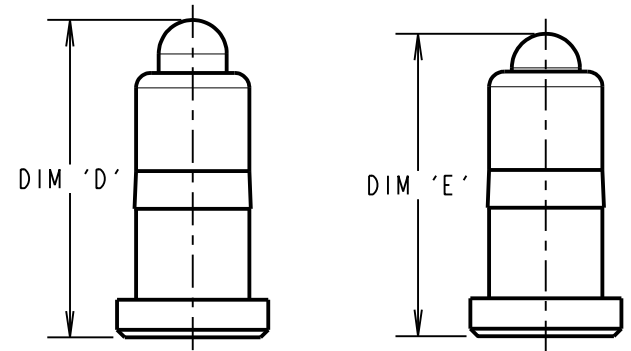
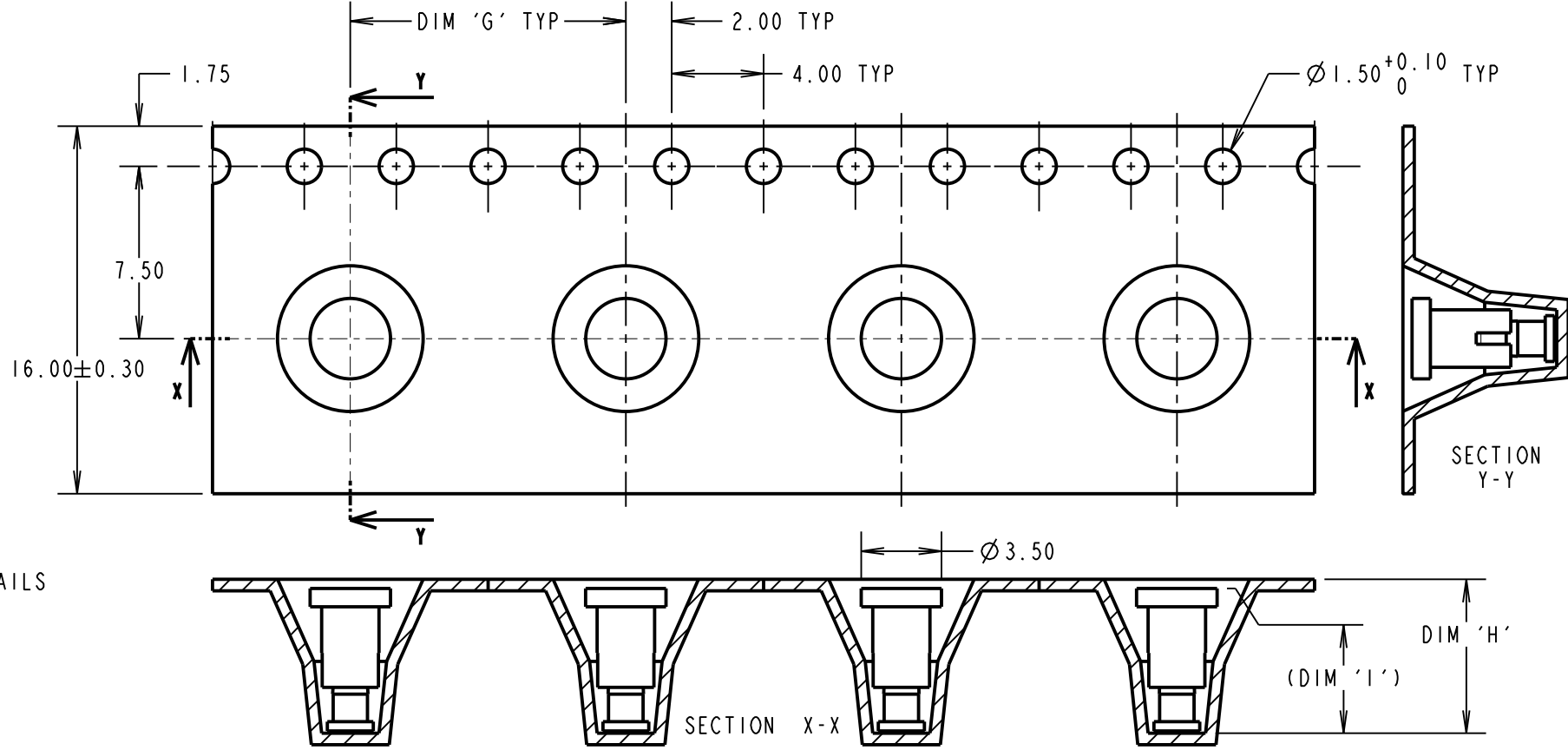


COMPONENT DETAILS

RECOMMENDED PCB PAD LAYOUT



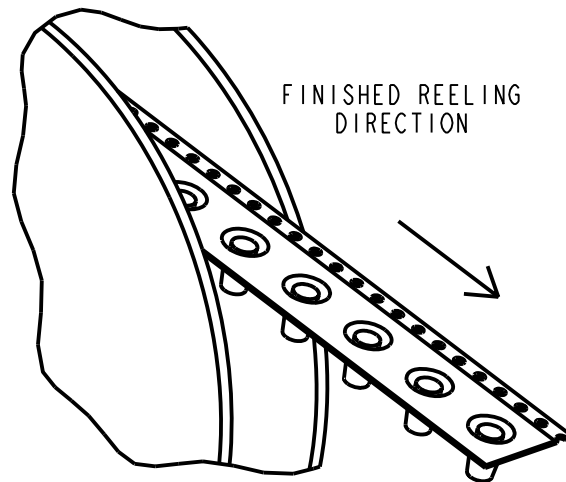
REEL DETAILS



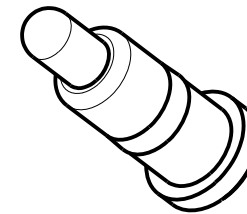
MAXIMUM WORKING HEIGHT

NORMAL WORKING HEIGHT

MINIMUM WORKING HEIGHT/MAX ALLOWED TRAVEL



FINISHED REELING DIRECTION



SPECIFICATION:
MATERIAL:
 BODY & PLUNGER = BRASS
 SPRING = STAINLESS STEEL WIRE
PLATING:
 BODY = 0.1µm GOLD OVER 1.4µm NICKEL
 PLUNGER = 0.4µm GOLD OVER 1.4µm NICKEL
ELECTRICAL:
 CONTACT RESISTANCE = 30mΩ MAX
 CURRENT RATING = 2.0A
MECHANICAL:
 FORCE AT NORMAL HEIGHT = SEE TABLE
 DURABILITY = 10,000 CYCLES
ENVIRONMENTAL:
 OPERATING TEMPERATURE = -40°C TO 85°C

- NOTES:**
- IF ASSEMBLING PIN INTO MOULDING:
 RECOMMENDED HOLE SIZE = $\varnothing 1.49$ MIN.
 RECOMMENDED MATERIAL = GLASS FILLED PA46.
 - ALL PRODUCTS ARE RoHS COMPLIANT.
 - PRODUCT IS TAPE AND REELED IN GENERAL ACCORDANCE WITH EIA-481 (ELECTRONIC INDUSTRIES ASSOCIATION).

PART No.	DIM 'A'	DIM 'B'	DIM 'C'	DIM 'D'	DIM 'E'	DIM 'F'	DIM 'G'	DIM 'H'	DIM 'I'	PACK SIZE	MECHANICAL FORCE
P70-1000045R	3.50±0.20	2.50	0.40	3.00	2.90	2.70	8.00	6.00	5.10	1400	0.88N ±0.29N
P70-1010045R	5.00±0.15	3.50	0.50	4.20	4.00	3.70	12.00	6.70	6.30	800	1.17N ±0.29N
P70-1020045R	5.50±0.15	4.00		4.70	4.50	4.20		7.00	6.70	700	1.17N +0.29/-0.19N
P70-1030045R	7.30±0.15	5.80	1.00	6.50	6.20	6.00		9.00	8.50	600	1.29N ±0.29N

ORDER CODE:

P70-10X0045R

PART No.: _____
 0, 1, 2, 3
 SEE TABLE FOR SIZES.

HARWIN

www.harwin.com
 technical@harwin.com

THIS DRAWING AND ANY INFORMATION OR DESCRIPTIVE MATTER SET OUT HEREON ARE CONFIDENTIAL AND COPYRIGHT PROPERTY OF THE HARWIN GROUP AND MUST NOT BE DISCLOSED, LOANED, COPIED OR USED FOR MANUFACTURING, TENDERING OR FOR ANY OTHER PURPOSE WITHOUT THEIR WRITTEN PERMISSION.

TOLERANCES
 X. = ±1mm
 X.X = ±0.50mm
 X.XX = ±0.20mm
 X.XXX = ±0.01mm
 ANGLES = ±5°
 UNLESS STATED

MATERIAL:
 SEE ABOVE
FINISH: SEE ABOVE
S/AREA: mm²

TITLE:
 SMT SPRING LOADED POGO PIN IN TAPE AND REEL

DRAWING NUMBER:
P70-10X0045R SHT 2 OF 2

RTP	4	02.07.21	30572
NAME	ISS.	DATE	CN/CO
APPROVED:		R.PORTLOCK	
CHECKED:		M.RUDKIN	
DRAWN:		S.BENNETT	
CUSTOMER REF.:			
ASSEMBLY DRG:			