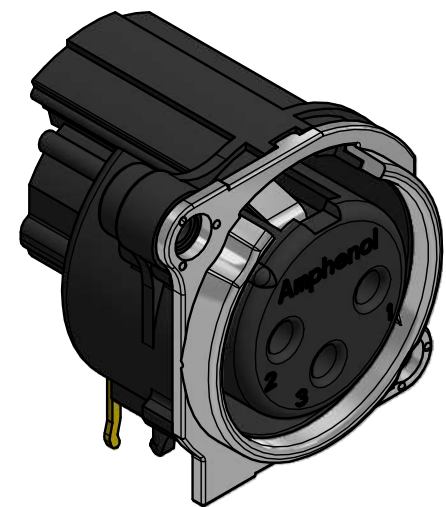


LEGEND = KEY PRODUCT CHARACTERISTICS

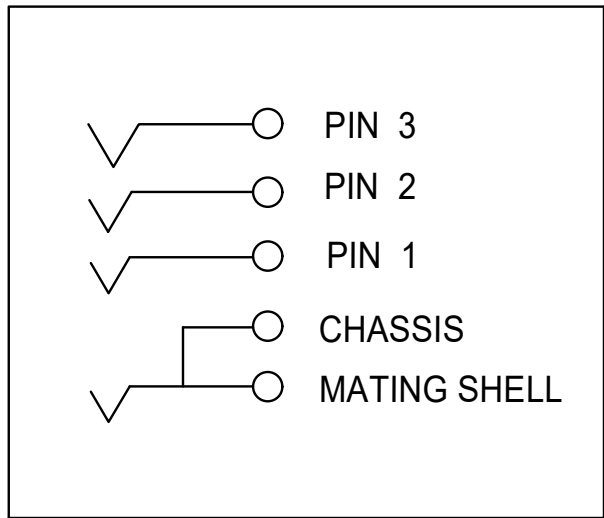
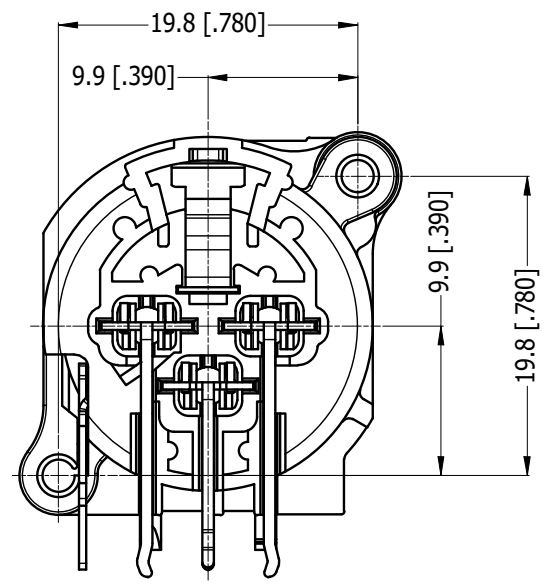
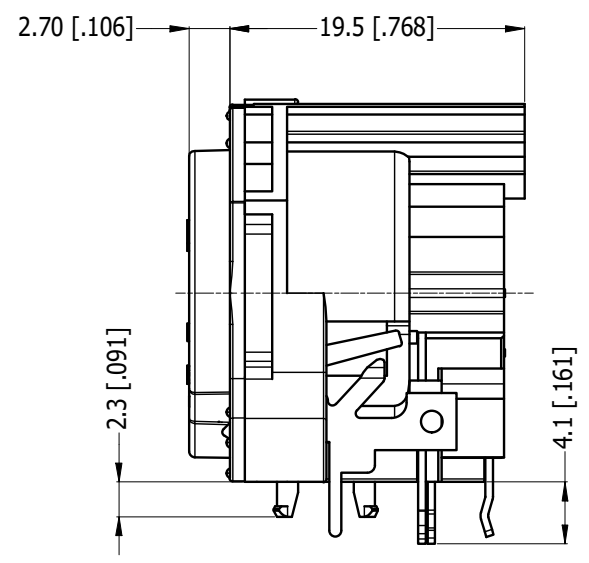
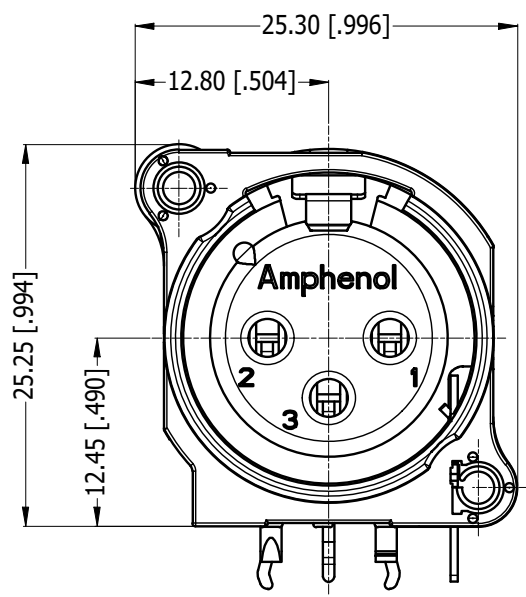
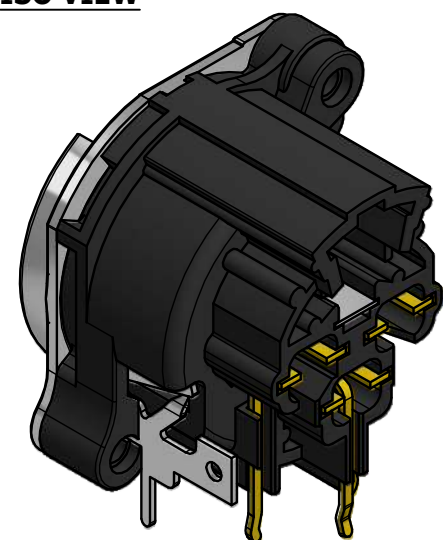


REVISION HISTORY				
REV	DESCRIPTION	DATE	BY	CHG/No
0	FIRST ISSUE	26-10-20	MH	----
1	UPDATE DWG TO CORRECT GROUNDING	09-08-21	MH	----

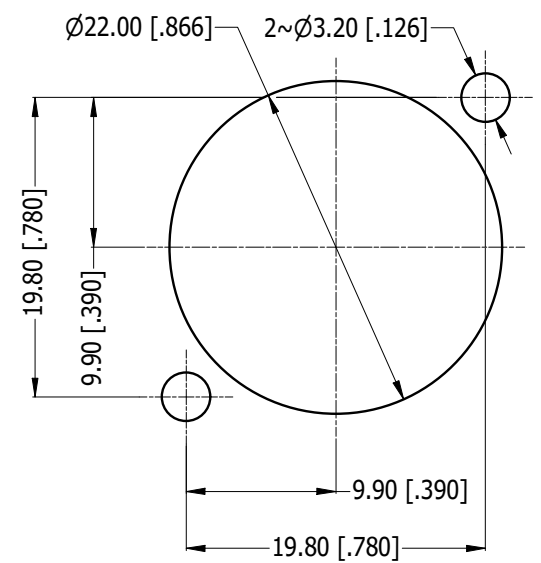
A
B
C
D
E
F



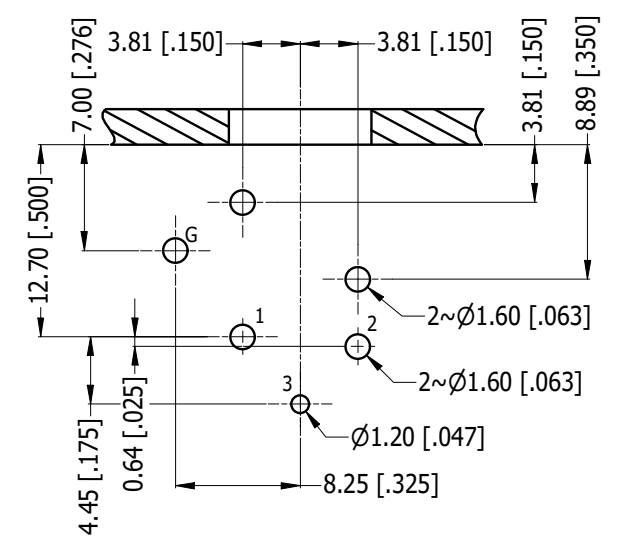
ISO VIEW



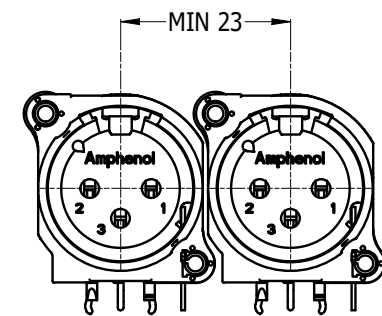
SCHEMATIC CHART



PANEL CUT OUT
REAR VIEW



PCB-LAYOUT
COMPONENT SIDE
TOLERANCE: ±0.05mm [.002"]



MIN MOUNTING PITCH
SCALE 1:1

PART NUMBER TABLE	
PART NUMBER	METAL FLANGE FINISH
AC3FBHL2-AU-PRE	SATIN NICKEL
AC3FBHBL2-AU-PRE	MATT BLACK

<small>UNLESS OTHERWISE SPECIFIED TOLERANCE TO BE</small> <table border="1"> <tr> <th>LINEAR</th> <th>ANGULAR</th> </tr> <tr> <td>X ±0.5</td> <td>X° ±1</td> </tr> <tr> <td>X.X ±0.2</td> <td>X.X' ±30'</td> </tr> <tr> <td>X.XX ±0.1</td> <td>X.XX" ±15'</td> </tr> </table>	LINEAR	ANGULAR	X ±0.5	X° ±1	X.X ±0.2	X.X' ±30'	X.XX ±0.1	X.XX" ±15'	THIS DOCUMENT IS THE PROPERTY OF AMPHENOL AUSTRALIA PTY. LTD. NO PART THEREOF MAY BE REPRODUCED AND USED WITHOUT THE PRIOR WRITTEN CONSENT OF THE OWNER			Amphenol Amphenol Australia Pty.Ltd, 22 Industry Blvd, Carrum Downs, VIC 3201	
	LINEAR	ANGULAR											
X ±0.5	X° ±1												
X.X ±0.2	X.X' ±30'												
X.XX ±0.1	X.XX" ±15'												
BREAK ALL SHARP EDGES AND REMOVE ALL BURRS DO NOT SCALE DIMENSIONS IN MILLIMETRES	MATERIAL: REFER TO COMPONENT FINISH: REFER TO COMPONENT	DRN: MH CKD: MH APP'D: PM SCALE: 2:1	DATE: 26-10-20 DATE: 09-08-21 DATE: 09-08-21	TITLE: AC3FBHL2-AU-PRE HORIZONTAL FEMALE CUSTOMER DRAWING	PART No: REFER TO TABLE DRAWING NO. 55011433-000-2 SHEET 2/2								

1 2 3 4 5 6 7 8