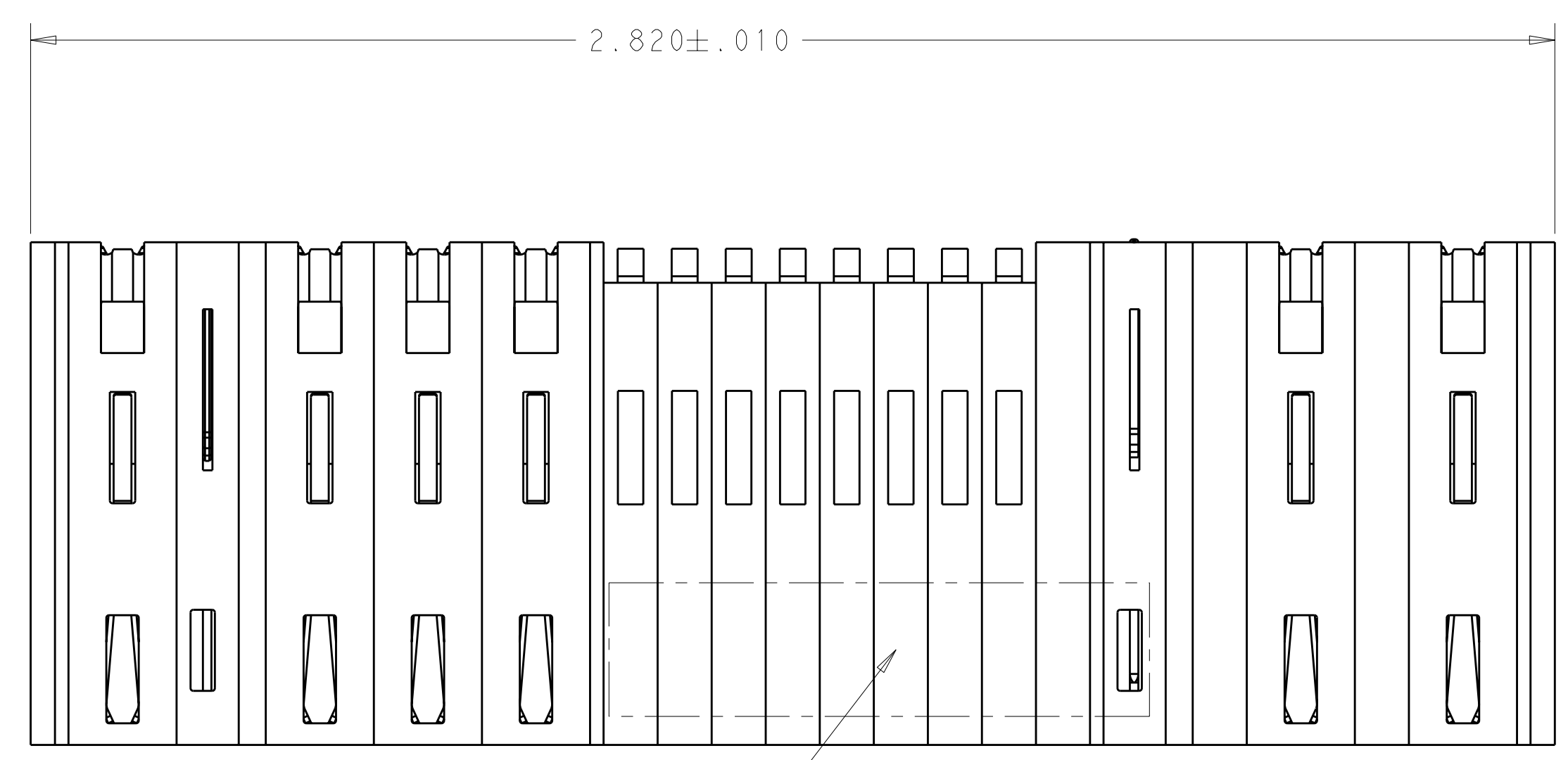
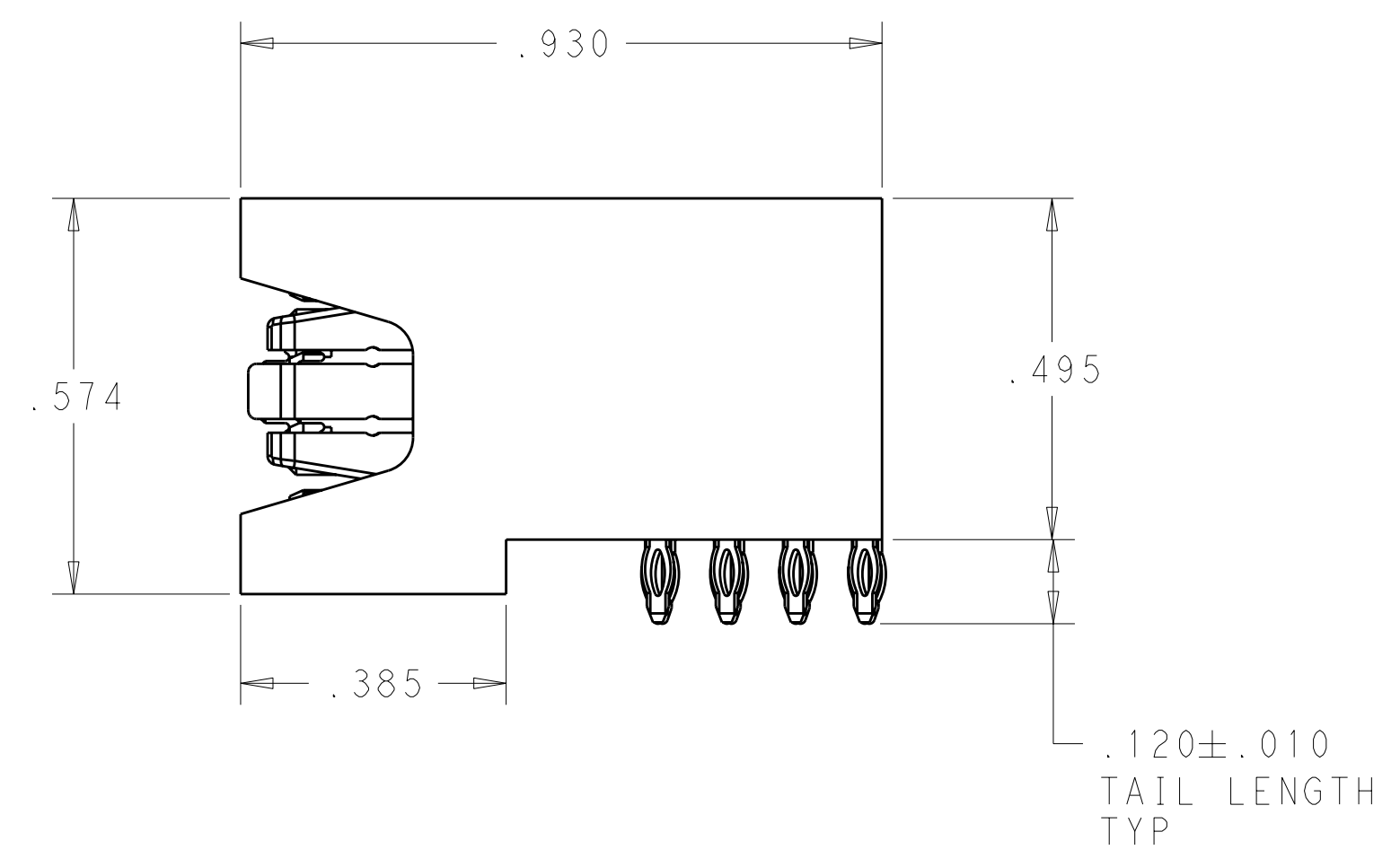
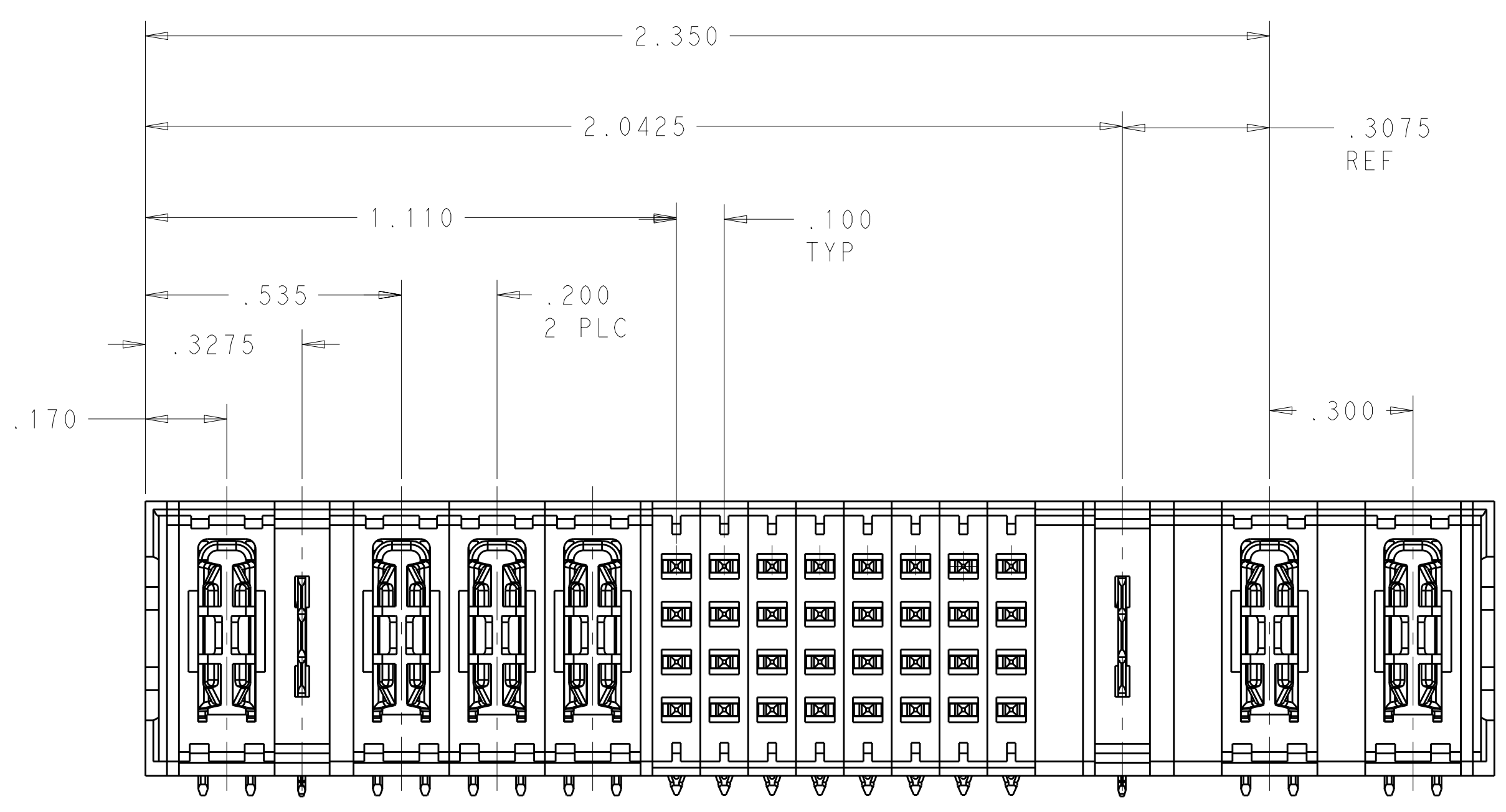


LOC	DIST	REVISIONS			
ES	00	REV	DATE	DWN	APVD
		A	REV PER ECR-10-003012	20FEB2010	CZ SY



- 1 "AMP", PART NUMBER, AND DATECODE TO BE MARKED IN AREA SHOWN. PARTS UNDER 2.00" LONG MAY BE MARKED ON BOTH SIDES.
- 2 MATERIAL: HOUSING - GLASS FILLED HIGH TEMP THERMO PLASTIC, BLACK, UL94 V-0
 SIGNAL CONTACT - COPPER ALLOY
 POWER CONTACT - HIGH CONDUCTIVITY COPPER ALLOY
- 3 CONTACT PLATING: SIGNAL CONTACTS - .000050 MIN Ni UNDER ALL.
 .000030 MIN Au ON CONTACT AREA.
 .000100 MIN Sn AT PCB INTERFACE.)
 POWER CONTACTS - .000050 MIN Ni UNDER ALL.
 .000030 MIN Au AT CONTACT AREA.
 .000100 MIN Sn AT PCB INTERFACE.
- 4 MECHANICAL CONNECTOR KEEP OUT ZONE.
- 5 DATUM AND BASIC DIMENSIONS ESTABLISHED BY CUSTOMER.
- 6 PCB - HOLE DIAMETERS ARE FINISHED HOLE SIZE.
- 7 PCB - .0453 ± .0010 DRILLED HOLES PLATED WITH .0003 MIN Sn OVER .001 TO .003 Cu PLATING TO ACHIEVE A .040 DIA HOLE.

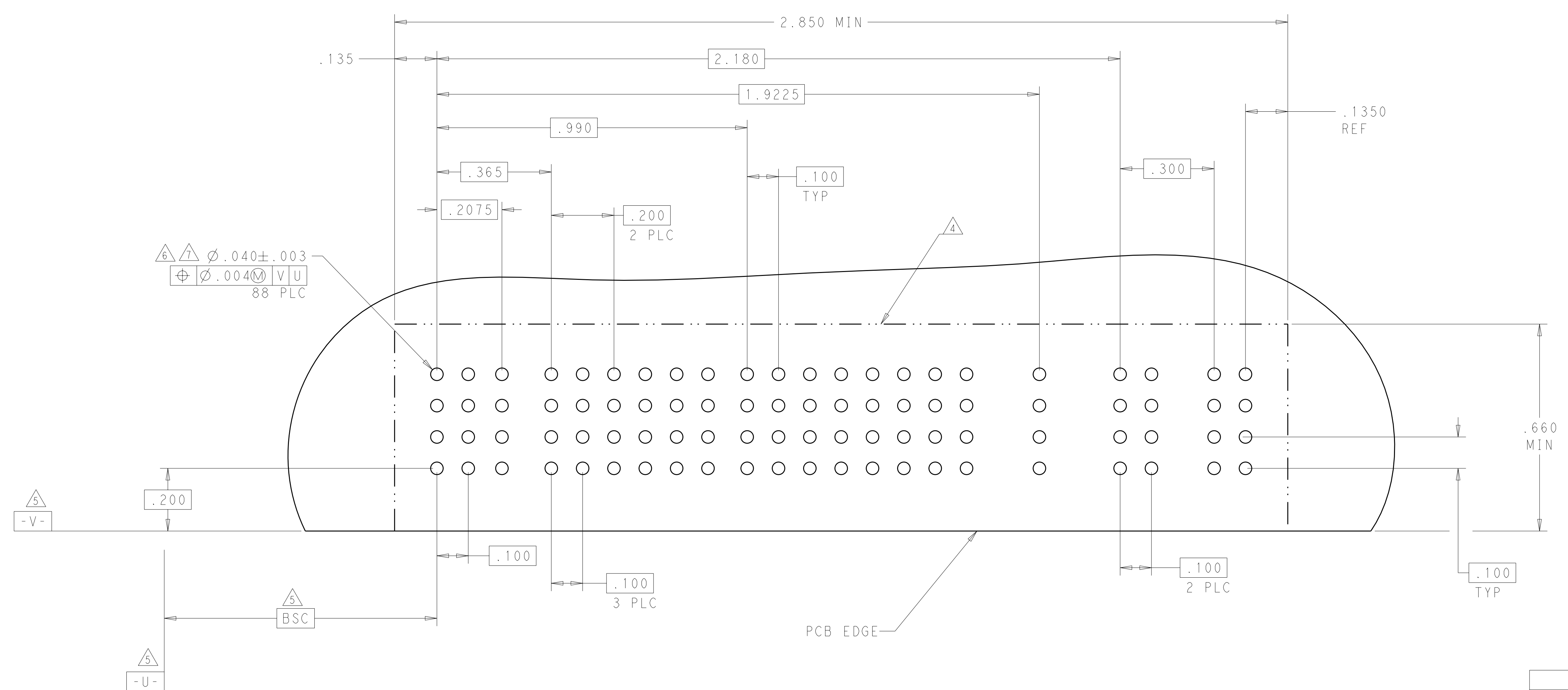


1HDP + 1LP + 3HDP + 32S + 1LP + 2ACP	6450849-5
DESCRIPTION	PART NUMBER

<small>THIS DRAWING IS UNPUBLISHED. RELEASED FOR PUBLICATION 20 BY TYCO ELECTRONICS CORPORATION, ALL INTERNATIONAL RIGHTS RESERVED.</small>		DWN: C. ZHOU 18NOV2009 CHK: S. ZHAO APVD:	Tyco Electronics Corporation Shanghai, P.R.China, 200233
DIMENSIONS: INCHES 9 PLC ± 3 PLC ± 5 PLC ±.005 4 PLC ±.0020 ANGLE ±.0020 FINISH #2	TOLERANCES UNLESS OTHERWISE SPECIFIED: 9 PLC ± 3 PLC ± 5 PLC ±.005 4 PLC ±.0020 ANGLE ±.0020 FINISH #2	NAME: S. ZHAO PRODUCT SPEC: 108-2292 APPLICATION SPEC: 114-13251 WEIGHT:	Tyco Electronics RIGHT ANGLE HEADER ASSEMBLY W/LP CONTACT WITH GUIDELESS MULTI BEAM XLE SIZE: A100779 CAGE CODE: C=6450849-5 RESTRICTED TO:
MATERIAL:		CUSTOMER DRAWING	SCALE: 1:1 SHEET 1 OF 2 REV A

LOC	DIST	REVISIONS			
ES	00	REV	DATE	BY	APPD
		1	SEE SHEET 1		

PART NUMBER	ROWS	POWER		POWER				SIGNAL								LP	POWER	
		P1	LPI	P2	P3	P4	1	2	3	4	5	6	7	8	LP2	P5	P6	
6450849-5	D C B A	TT	LT	TT	TT	TT	Z5	Z5	Z5	Z5	Z5	Z5	Z5	Z5	LT	TT	TT	
							Y5	Y5	Y5	Y5	Y5	Y5	Y5	Y5				
							R5	R5	R5	R5	R5	R5	R5	R5				
							O1	O5	O5	O5	O5	O5	O5	O5				
1HDP + 1LP + 3HDP + 32S + 1LP + 2ACP																		



DESCRIPTION	IDENTIFIER
HOLD DOWN	HD
.120 SIGNAL PRESS FIT CON, ROW A,MLBF	O1
.120 SIGNAL PRESS FIT CON, ROW A,STD	O5
.120 SIGNAL PRESS FIT CON, ROW B,STD	R5
.120 SIGNAL PRESS FIT CON, ROW C,STD	Y5
.120 SIGNAL PRESS FIT CON, ROW D,STD	Z5
.120 PRESS FIT LOWER POWER CON,STD	LT
.120 PRESS FIT POWER CON	TT

DIMENSIONS: INCHES 		TOLERANCES UNLESS OTHERWISE SPECIFIED: 9 PLC ±. 1 PLC ±. 2 PLC ±. 3 PLC ±.005 4 PLC ±.0020 ANGLES #2 FINISH		DWN C. ZHOU 18NOV2009 CHK S. ZHAO APVD PRODUCT SPEC 108-2292 APPLICATION SPEC 114-13251 WEIGHT CUSTOMER DRAWING		Tyco Electronics Corporation Shanghai, P.R.China. 200233 NAME RIGHT ANGLE HEADER ASSEMBLY W/LP CONTACT WITH GUIDELESS MULTI BEAM XLE SIZE CAGE CODE DRAWING NO RESTRICTED TO A100779C=6450849-5 SCALE 1:1 SHEET 2 OF 2 REV A	
---------------------------	--	----------------------------------------------------------------------------------------------------------------------------------	--	-----------------------------------------------------------------------------------------------------------------------------------	--	------------------------------------------------------------------------------------------------------------------------------------------------------------------------------------------------------------------------------------------------------	--