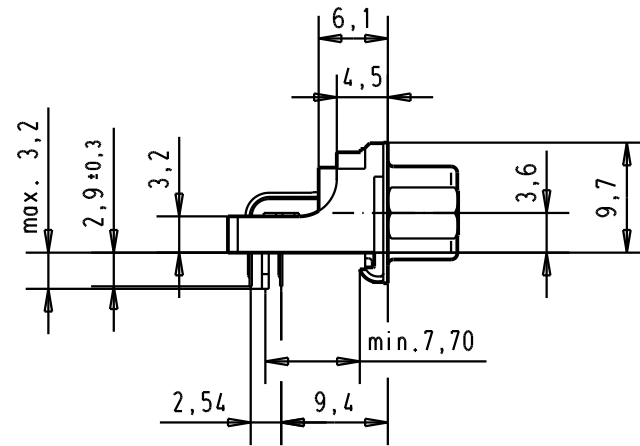
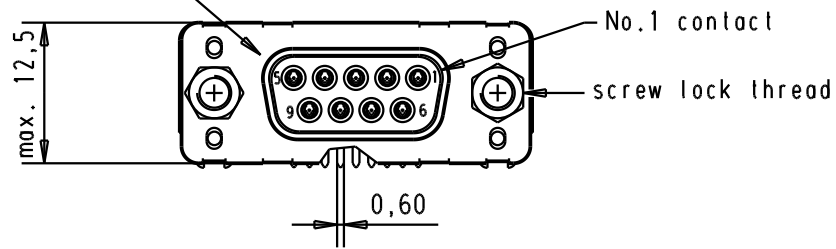
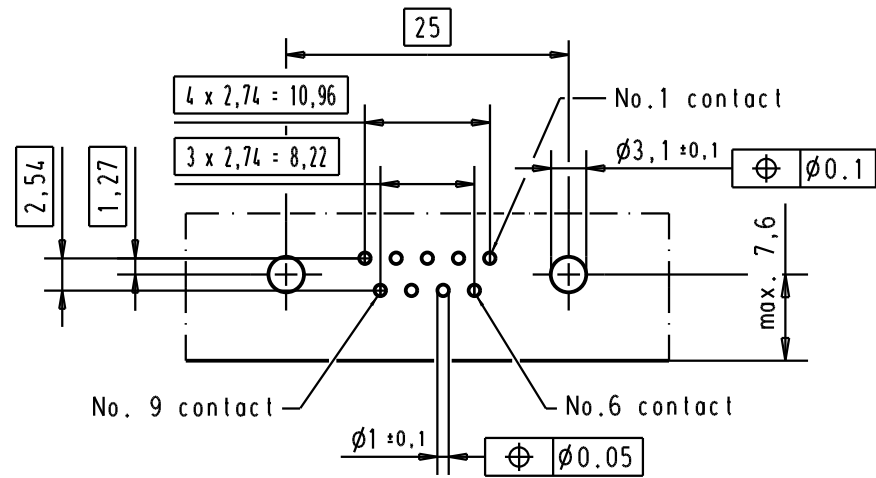
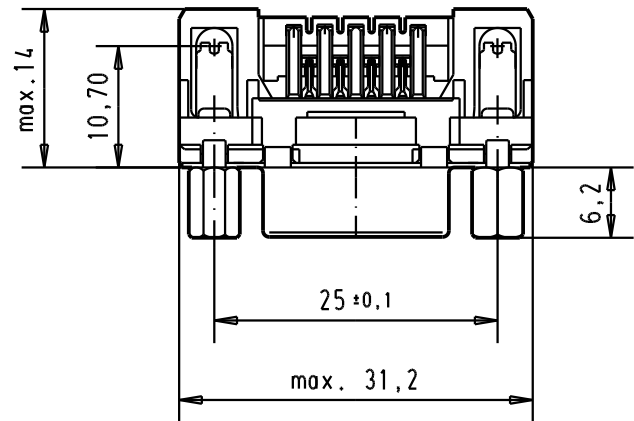


5 4 3 2 1



Mating face according to : MIL-C-24308 / DIN 41652 / CECC 75301-802



PCB layout hole component side



Connector retention and insertion forces on the PCB = 25 / 80 newtons

				31892	05/05/04	JH	Detail.	02/sept/00	jfb	 All Dim. in mm Orig. Size DIN A 4	D-Sub 09 poles low profil angle female, solder pin with screw lock and grounding board lock. Maßstab/Scale 1.5:1
				31084	04/SEP/02	YT	Insp.				
09 66 152 3617	4-40 UNC	1	27961	24/nov/00	jfb	Stand.					
09 66 152 6617	4-40 UNC	2	27952	26/oct/00	jfb	HARTING EUROL F-95972 Paris				TB 0966152x61x Sub.	Blatt/ Page 3 / 5
09 66 152 7617	4-40 UNC	3	27948	02/sept/00	jfb						
Part number	Screw lock thread	Performance level	Mod.	Dat.	Name						