



## 2 Watt RF Load with Chain Up to 26.5 GHz with SMA Male Passivated Stainless Steel

### RF Terminations Technical Data Sheet

**PE6TR677**

#### Features

- DC to 26.5 GHz Frequency Range
- VSWR 1.35:1 Max
- Max Power 2 Watts (CW)
- SMA Male Coaxial Interface
- Includes Beaded Chain

#### Applications

- Wireless
- Radar Systems
- Commercial and Military Communication
- SatCom
- Test and Measurement

#### Description

RF termination (also called RF load or dummy load) PE6TR677 from Pasternack operates from DC to 26.5 GHz and handles up to 2 Watts (CW). This SMA termination (or load) has a male gender. PE6TR677 SMA load termination offers 1.35:1 max VSWR.

RF terminations / loads are critical passive components in many RF, microwave and millimeter wave systems where signal reflection from unused ports can reduce the signal integrity and can potentially damage the device. By terminating an unused port with a matched load (dummy load), the incident energy will be absorbed with minimal reflection. These radio frequency termination components are commonly used to terminate devices such as couplers, circulators, and switches. Loads / terminations are also widely used in measurement systems to ensure accurate results. Pasternack offers a large selection of in-stock RF, microwave and millimeter wave terminations up to 65 GHz with great performance over the entire operating range and with power handling capabilities up to 800 Watts (CW).

#### Electrical Specifications

Description	Minimum	Typical	Maximum	Units
Frequency Range	DC		26.5	GHz
Impedance		50		Ohms
VSWR			1.35:1	
Input Power (CW) derated linearly to 0W at +125°C			2	Watts
Input Power (Peak) 5µs pulse, 0.01% duty cycle			500	Watts

#### Performance by Frequency

Description	F1	F2	F3	F4	F5	Units
Frequency Range	DC to 4	4 to 12.4	12.4 to 26.5			GHz
VSWR, Max	1.1:1	1.2:1	1.35:1			

Click the following link (or enter part number in "SEARCH" on website) to obtain additional part information including price, inventory and certifications: [2 Watt RF Load with Chain Up to 26.5 GHz with SMA Male Passivated Stainless Steel PE6TR677](#)



2 Watt RF Load with Chain Up to 26.5 GHz with SMA Male Passivated Stainless Steel

**RF Terminations Technical Data Sheet**

**PE6TR677**

**Mechanical Specifications**

**Size**

Length 0.52 in [13.21 mm]  
Width 0.315 in [8 mm]  
Weight 0.0118 lbs [5.35 g]

**Configuration**

Connector SMA Male  
Connector Specification MIL-STD-348  
Hex Size 5/16 inch

**Material Specifications**

Description	Material	Plating
Connector 1 Contact	Beryllium Copper	Gold MIL-PRF-39012
Insulation	PTFE	
Body	Passivated Stainless Steel	
Coupling Nut	Passivated Stainless Steel	
Housing	Passivated Stainless Steel	

**Environmental Specifications**

**Temperature**

Operating Range -55 to +125 deg C

**Compliance Certifications** (see [product page](#) for current document)

**Plotted and Other Data**

Notes:

Click the following link (or enter part number in "SEARCH" on website) to obtain additional part information including price, inventory and certifications: [2 Watt RF Load with Chain Up to 26.5 GHz with SMA Male Passivated Stainless Steel PE6TR677](#)



## 2 Watt RF Load with Chain Up to 26.5 GHz with SMA Male Passivated Stainless Steel

### RF Terminations Technical Data Sheet

**PE6TR677**

2 Watt RF Load with Chain Up to 26.5 GHz with SMA Male Passivated Stainless Steel from Pasternack Enterprises has same day shipment for domestic and International orders. Our RF, microwave and millimeter wave products maintain a 99.4% availability and are part of the broadest selection in the industry.

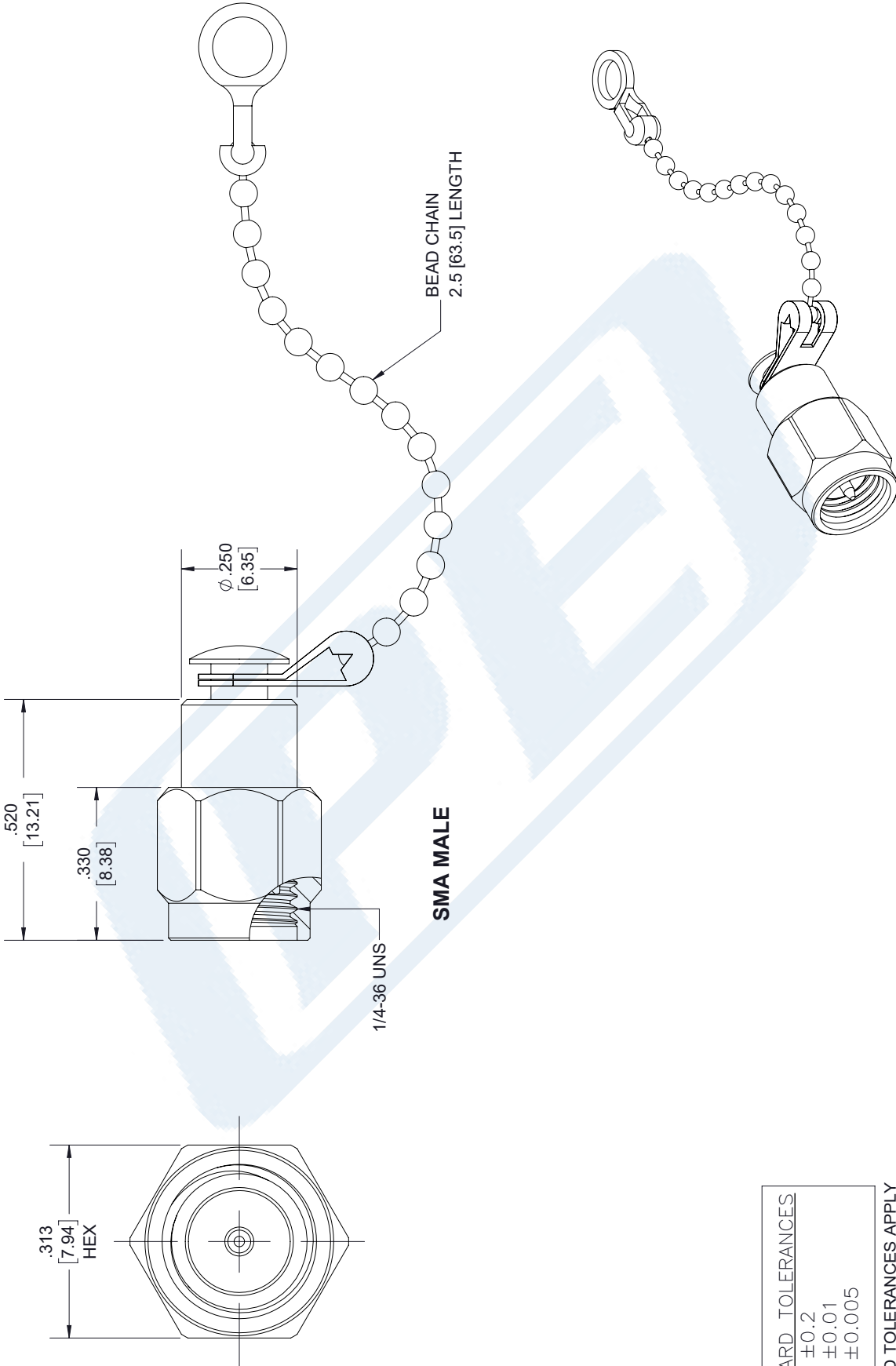
Click the following link (or enter part number in "SEARCH" on website) to obtain additional part information including price, inventory and certifications: [2 Watt RF Load with Chain Up to 26.5 GHz with SMA Male Passivated Stainless Steel PE6TR677](https://www.pasternack.com/2-watts-sma-male-rf-load-26.5-ghz-pe6tr677-p.aspx)

URL: <https://www.pasternack.com/2-watts-sma-male-rf-load-26.5-ghz-pe6tr677-p.aspx>

The information contained in this document is accurate to the best of our knowledge and representative of the part described herein. It may be necessary to make modifications to the part and/or the documentation of the part, in order to implement improvements. Pasternack reserves the right to make such changes as required. Unless otherwise stated, all specifications are nominal. Pasternack does not make any representation or warranty regarding the suitability of the part described herein for any particular purpose, and Pasternack does not assume any liability arising out of the use of any part or documentation.

# PE6TR677 CAD Drawing

2 Watt RF Load with Chain Up to 26.5 GHz with SMA Male Passivated Stainless Steel



STANDARD TOLERANCES	
.X	±0.2
.XX	±0.01
.XXX	±0.005

\*STANDARD TOLERANCES APPLY ONLY TO DIMENSIONS IN INCHES



Pasternack Enterprises, Inc.  
 P.O. Box 16759 | Irvine | CA | 92623  
**Phone:** (949) 261-1920 | **Fax:** (949) 261-7451  
**Website:** [www.pasternack.com](http://www.pasternack.com) | **E-Mail:** [sales@pasternack.com](mailto:sales@pasternack.com)

DWG TITLE	PE6TR677
CAGE CODE	53919

NOTES:	1. UNLESS OTHERWISE SPECIFIED ALL DIMENSIONS ARE NOMINAL. 2. ALL SPECIFICATIONS ARE SUBJECT TO CHANGE WITHOUT NOTICE AT ANY TIME. 3. DIMENSIONS ARE IN INCHES [mm].
CAD FILE	07/25/18
SCALE	N/A
SIZE	A
	7361