



Sensors > Position Sensors > Potentiometer Sensors > Cable Actuated Position Sensors > SE1 String Pot Incremental Encoder



Cable Actuated Position Sensor Product Type: **SP Series, String Pots**

Full Stroke Ranges: **1270 mm, 635 mm [ 50 in ]**

Output Signal: **Incremental Encoder**

Cable Actuated Position Sensor Accuracy: **.1 % of FS**

Repeatability: **.02 % of FS**

[All SE1 String Pot Incremental Encoder \(2\)](#)

## Features

### Product Type Features

Cable Actuated Position Sensor Product Type	SP Series, String Pots
---	------------------------

### Signal Characteristics

Output Signal	Incremental Encoder
---------------	---------------------

### Body Features

Cable Actuated Position Sensor Housing Material	Polycarbonate + Stainless Mounting Bracket
---	--

### Usage Conditions

Operating Temperature Range	-10 – 85 °C[14 – 185 °F]
-----------------------------	--------------------------

### Operation/Application

Resolution	2.22 ppm mm
------------	-------------

### Industry Standards

IP Rating	IP50
Hazardous Area Approval	No

### Other

Full Stroke Ranges	1270 mm, 635 mm[50 in]
Cable Actuated Position Sensor Accuracy	.1 % of FS

Repeatability	.02 % of FS
Encoder Drive	No
Measuring Cable	Nylon-Coated Stainless Steel

## Product Compliance

[For compliance documentation, visit the product page on TE.com>](#)

EU RoHS Directive 2011/65/EU	Compliant
EU ELV Directive 2000/53/EC	Out of Scope
China RoHS 2 Directive MIIT Order No 32, 2016	No Restricted Materials Above Threshold
EU REACH Regulation (EC) No. 1907/2006	Current ECHA Candidate List: JUNE 2023 (235) Candidate List Declared Against: JUL 2021 (219) Does not contain REACH SVHC
Halogen Content	Not Yet Reviewed for halogen content
Solder Process Capability	Not reviewed for solder process capability

### Product Compliance Disclaimer

This information is provided based on reasonable inquiry of our suppliers and represents our current actual knowledge based on the information they provided. This information is subject to change. The part numbers that TE has identified as EU RoHS compliant have a maximum concentration of 0.1% by weight in homogenous materials for lead, hexavalent chromium, mercury, PBB, PBDE, DBP, BBP, DEHP, DIBP, and 0.01% for cadmium, or qualify for an exemption to these limits as defined in the Annexes of Directive 2011/65/EU (RoHS2). Finished electrical and electronic equipment products will be CE marked as required by Directive 2011/65/EU. Components may not be CE marked. Additionally, the part numbers that TE has identified as EU ELV compliant have a maximum concentration of 0.1% by weight in homogenous materials for lead, hexavalent chromium, and mercury, and 0.01% for cadmium, or qualify for an exemption to these limits as defined in the Annexes of Directive 2000/53/EC (ELV). Regarding the REACH Regulation, the information TE provides on SVHC in articles for this part number is based on the latest European Chemicals Agency (ECHA) 'Guidance on requirements for substances in articles' posted at this URL: <https://echa.europa.eu/guidance-documents/guidance-on-reach>

## Compatible Parts

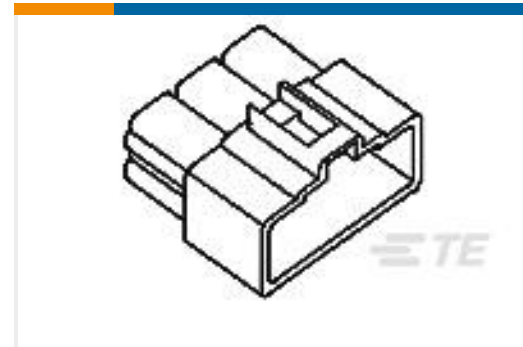
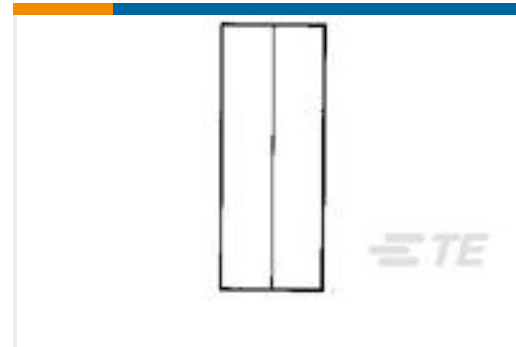
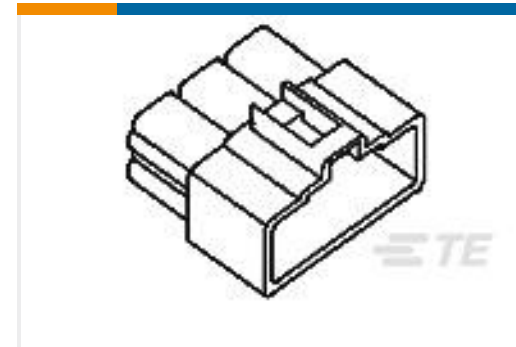
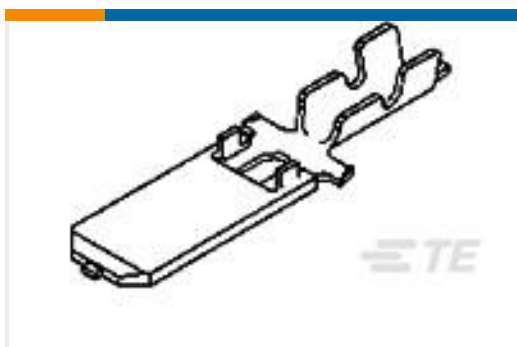


Also in the Series | [MEAS SP](#)



Cable Actuated Position Sensors(22)

## Customers Also Bought

TE Part #SP1-25  
STRING POT 25.0 INCH RANGETE Part #171897-1  
FF 250 REC HSG 6P NYLON NATTE Part #34319  
SPLICE,SOLIS PARA 6TE Part #172133-1  
FF 250 REC HSG 4P NYLON NATTE Part #170340-1  
FF 250 TAB 20-14AWG BR WITHOUT  
LATCHTE Part #2-2176338-1  
CRGCO 0402 2K2 5%TE Part #GA10K3A1A  
DISCRETE 10K OHMS,+/-0.1C FROM  
0C TO 70CTE Part #SP3-25  
SP SERIES, STRING POTSTE Part #G-NSDOG1-006  
AXISENSE-1 V-OUT-180 TILT SENSOR

## Documents

### CAD Files

[3D PDF](#)

[3D](#)

[Customer View Model](#)

[ENG\\_CVM\\_CVM\\_SE1-50\\_A.2d\\_dxf.zip](#)

English

[Customer View Model](#)

[ENG\\_CVM\\_CVM\\_SE1-50\\_A.3d\\_igs.zip](#)



English

Customer View Model

[ENG\\_CVM\\_CVM\\_SE1-50\\_A.3d\\_stp.zip](#)

English

By downloading the CAD file I accept and agree to the [Terms and Conditions](#) of use.

---

## Datasheets & Catalog Pages

[SE1](#)

English