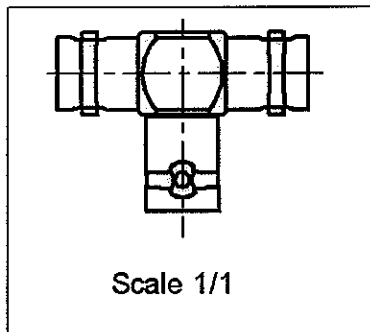
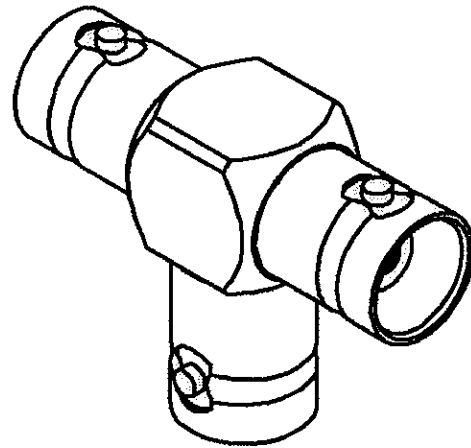
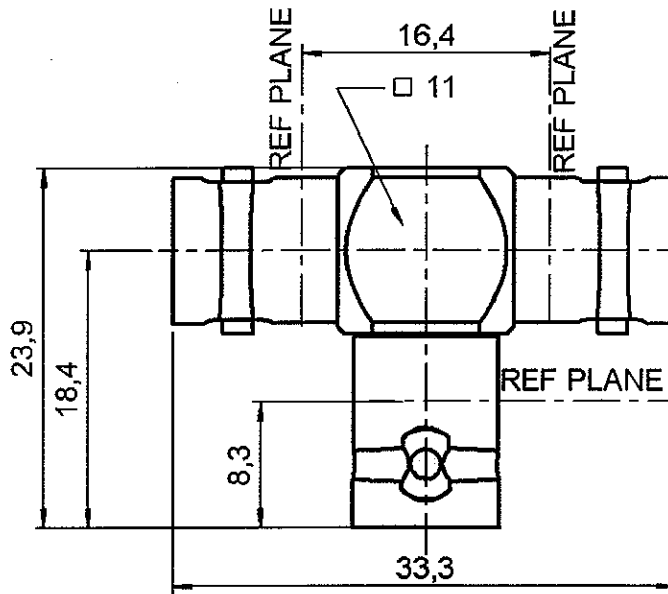


**TE FEMALE-FEMALE/FEMALE ADAPTOR**

**R141.782.000**

Series : BNC



All dimensions are in mm.

COMPONENTS	MATERIALS	PLATING
BODY	BRASS	NICKEL 2 µm
CENTRE CONTACT	BERYLLIUM COPPER	GOLD 0.5 OVER NICKEL 2 µm
OUTER CONTACT	-	- µm
INSULATOR	PTFE	
GASKET	-	
OTHERS PARTS	-	- µm
.	-	-
.	-	-



Edition : 9848 C

Design changes may be in order to improve the product.

**TE FEMALE-FEMALE/FEMALE ADAPTOR****R141.782.000**Series : **BNC****ELECTRICAL CHARACTERISTICS**

Impedance		<b>50</b> Ω
Frequency		<b>0-4</b> GHz
VSWR	NA +	<b>0.000</b> x F(GHz) Maxi
Insertion loss		<b>0.175</b> √F(GHz) dB Maxi
RF leakage	- (	<b>57</b> - F(GHz)) dB mini
Voltage rating		<b>500</b> Veff Maxi
Dielectric withstanding voltage		<b>1500</b> Veff mini
Insulation resistance		<b>5000</b> MΩ mini

**SPECIFICATION****ENVIRONMENTAL**

Operating temperature	<b>-65/+165</b> °C
Hermetic seal	NA Atm.cm <sup>3</sup> /s
Leakage – pressurised only	NA Mpa

**OTHERS CHARACTERISTICS**

Assembly instruction NA

Others :  
-**MECHANICAL CHARACTERISTICS**

Centre contact retention		
Axial force – Mating end		<b>18</b> N mini
Axial force – Opposite end		<b>18</b> N mini
Torque		<b>2.8</b> N.cm mini
Recommended torque		
Mating		NA N.cm
Panel nut		NA N.cm
Mating life		<b>500</b> Cycles mini
Weight		<b>19.000</b> g

**RADIALL**®

Edition : 9848 C

Design changes may be in order to improve the product.