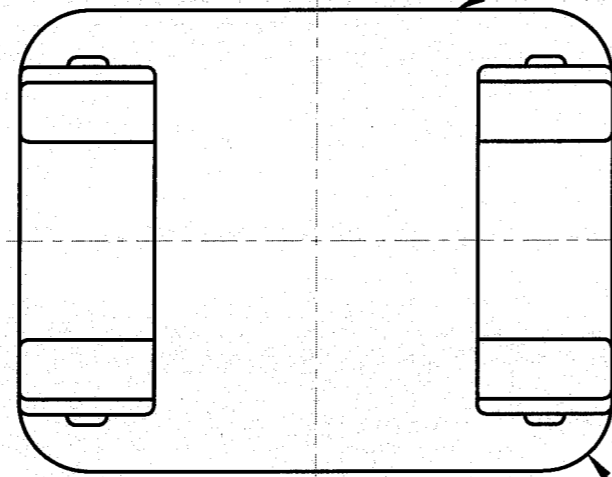


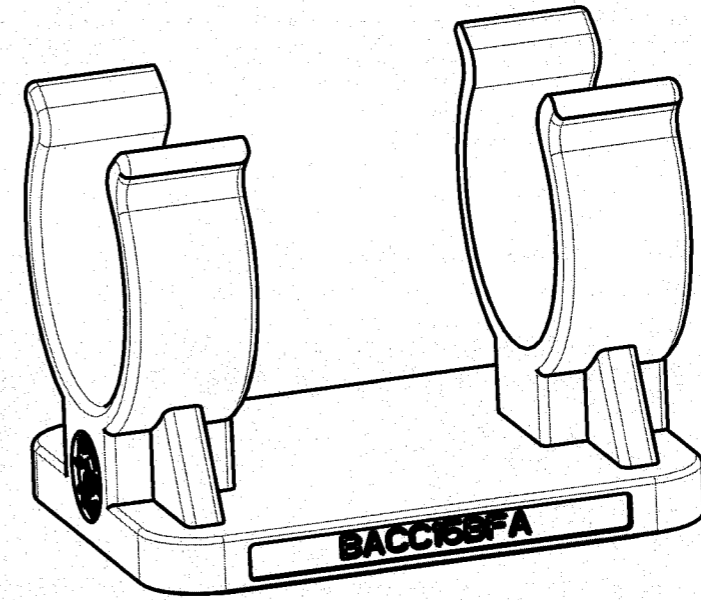
SJS345000

REV	ECN	APP'D
A	6351	JT 9/11/09
B	6441	JT 11/3/09

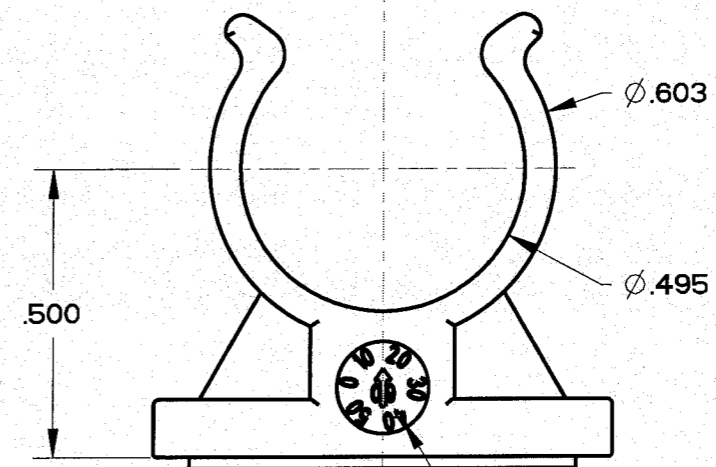
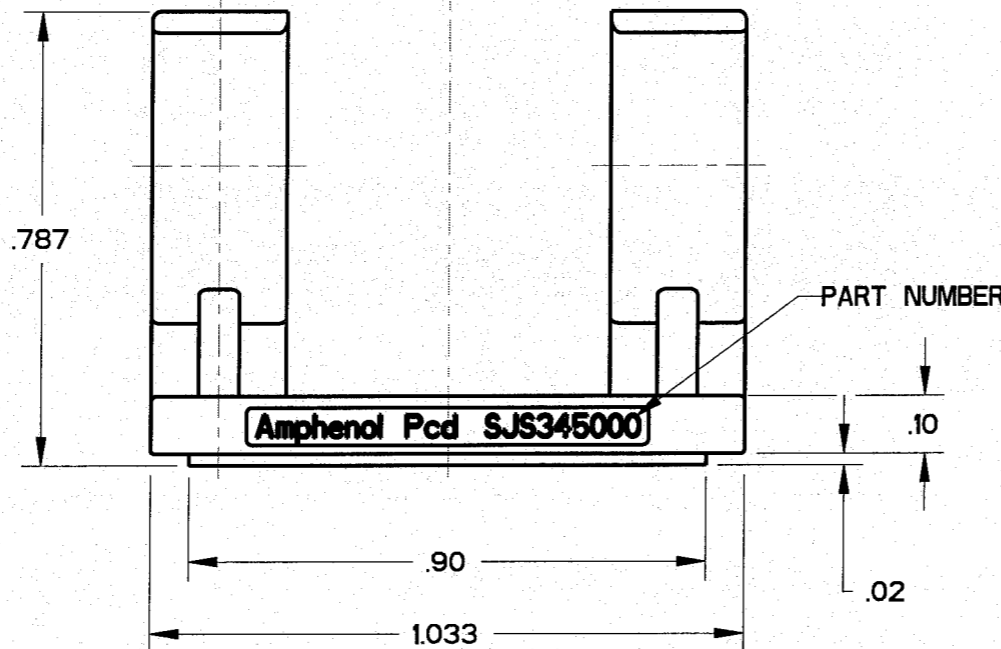
LOGO "BACC15BFA"



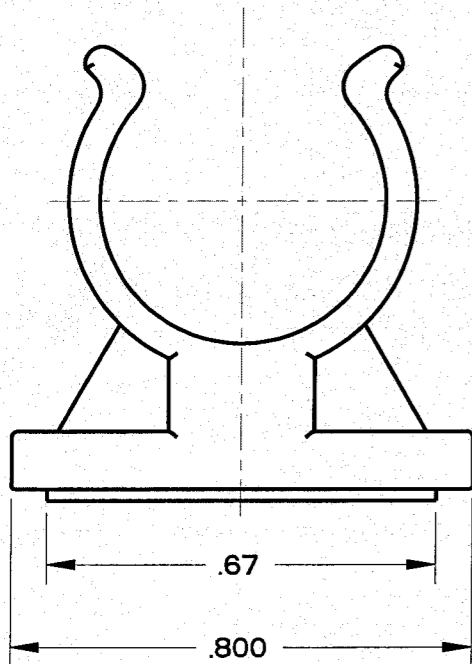
4X R.120



2X .235



DATE CODE  
ARROW CHARACTERS: YY (YEAR)  
OUTER CHARACTERS: WW (WEEK)



NOTES:  
1. MATERIALS:  
MOUNTING SMALL CRADLE : PA6/6  
ADHESIVE TAPE: 3M 5958FR VHB  
2. WEIGHT: 2.7 GRAMS

<b>DIMENSIONS</b> ANSI Y14.5M UNITS: INCHES Pro/E FILE	<b>TOLERANCES</b> .XX ±0.01 .XXX ±0.005 ANGLES ±1.0°	<b>PROJECTION</b> 	<b>Amphenol Pcd</b> SPECIFICATION DRAWING ENGR Frank.Li 29-Apr-09		<b>TITLE</b> BACC15BFA MOUNTING CRADLE, SHELL SIZE A WITH ADHESIVE TAPE	
			ORIGINAL 	THIS DOCUMENT CONTAINS PROPRIETARY INFORMATION WHICH IS THE CONFIDENTIAL PROPERTY OF AMPHENOL PCD INC., BEVERLY, MA		CHKD  11/3/09 APPD  11/3/09
			CODE: 58982	SCALE: 3:1	SHEET 1 OF 1	

SJS345000

SJS345000