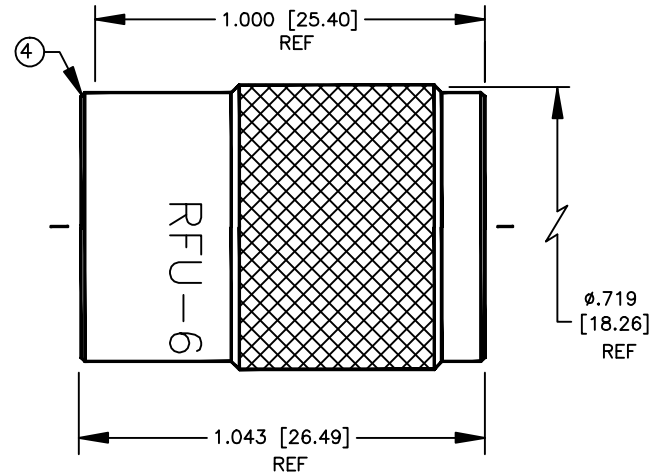
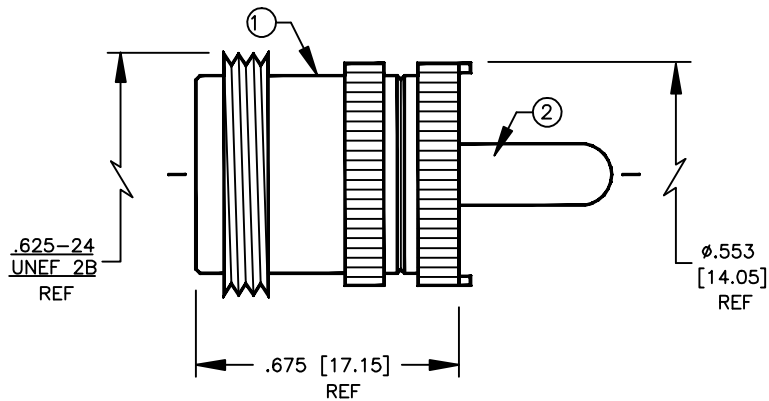


SPECIFICATION CONTROL DRAWING

THIS DRAWING CONTAINS INFORMATION PROPRIETARY TO RF INDUSTRIES, LTD. ANY UNAUTHORIZED USE OF THIS DRAWING IS EXPRESSLY PROHIBITED ANY VIOLATION IS PUNISHABLE UNDER U.S. COPYRIGHT LAWS.

REV	DESCRIPTION	DWN	DATE	APPROVED
A	ENGINEERING RELEASE	PB	11/19/92	J. BENZ
B	CHANGE BODY LENGTH AND PIN LENGTH	KMM		



SPECIFICATIONS:

IMPEDANCE: NON-CONSTANT
 VOLTAGE RATING: 335 VOLTS PEAK
 FREQUENCY RANGE: 0-500 MHz

DIMENSIONS ARE IN INCHES OVER MILLIMETERS.
 UNLESS OTHERWISE NOTED TOLERANCES ARE:
 DECIMALS ANGLES

DRAWN K. MAXWELL	12/9/93
CHECKED	
ISSUED J. BENZ	12/9/93
ORJ DRAWN P. BREAUX	11/19/92
APPROVALS	DATE

RFconnectors

DIVISION OF RF INDUSTRIES, LTD.

7620 MIRAMAR RD
 SAN DIEGO, CA 92126
 (619)549-6340
 (619)549-6345 FAX

RFU-645

MINI UHF MALE TO UHF MALE ADAPTER

ITEM	DESCRIPTION	QTY	MATERIAL	FINISH
4	SHELL	1	BRASS	NICKEL
	DIELECTRIC	1	DELTRIN	NONE
2	CONTACT	1	BRASS	SILVER
1	BODY	1	BRASS	NICKEL

SIZE A	CABLE GROUP N/A	DWG NO. RFU-645	REV B
SCALE: 2:1		CAD FILE: ARC117\7825B	SHEET 1 OF 1