

推奨基板穴寸法 (部品実装面、基板厚: 1.6)
PCB LAYOUT (COMPONENT SIDE, THK=1.6)

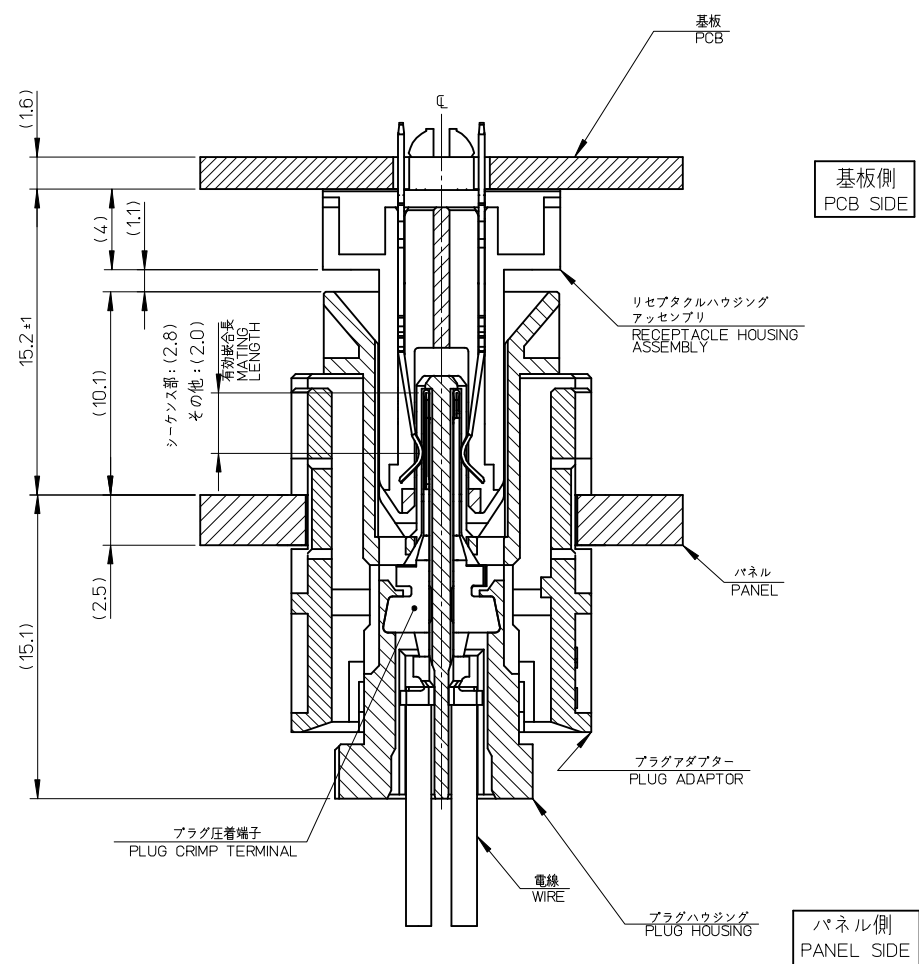
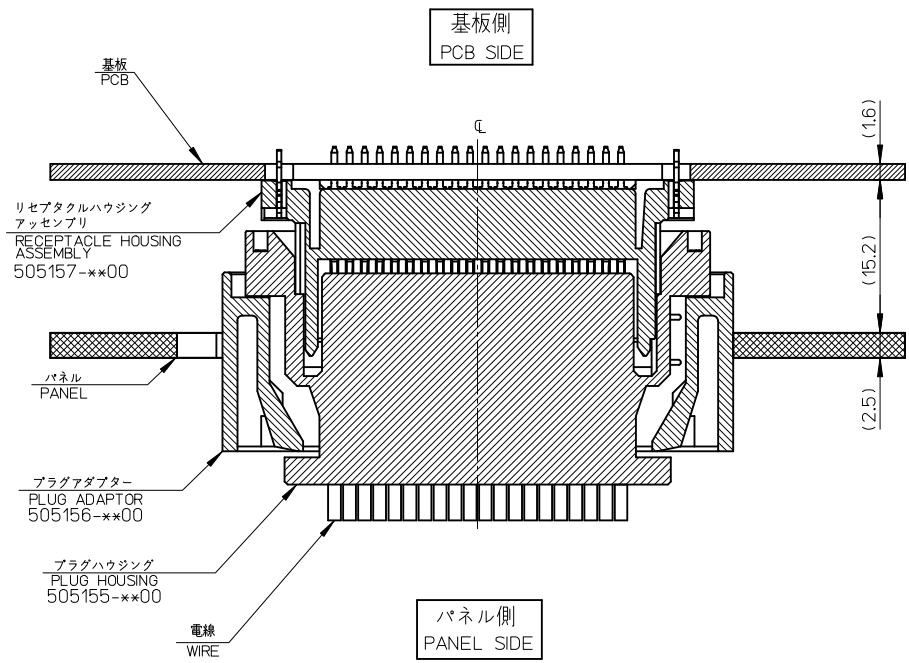
注記:
NOTES

- 材質 MATERIAL
ハウジング: ポリエステル (PBT)、ガラス充填、UL94V-0、黒色
HOUSING: POLYETHYLENE (PBT), GLASS FILLED, UL94V-0, BLACK
ターミナル: 銅合金 (t=0.3)
TERMINAL: COPPER ALLOY (t=0.3)
金具: りん青銅 (t=0.48)
METAL PEG: PHOSPHOR BRONZE (t=0.48)
- メッキ仕様 FINISHES
ターミナル TERMINAL
接点部: ニッケル下地金メッキ
CONTACT AREA: GOLD OVER NICKEL PLATING.
金メッキ 0.1マイクロメートル以上
GOLD 0.1 MICROMETERS MINIMUM
ニッケル下地メッキ 1.0マイクロメートル以上
NICKEL 1.0 MICROMETERS MINIMUM
半田付け部: ニッケル下地錫メッキ
SOLDER TAIL: TIN OVER NICKEL PLATING
錫メッキ 1.0マイクロメートル以上
TIN 1.0 MICROMETERS MINIMUM
ニッケル下地メッキ 1.0マイクロメートル以上
NICKEL 1.0 MICROMETERS MINIMUM
金具: ニッケル下地錫メッキ
METAL PEG: TIN OVER NICKEL PLATING
錫メッキ 1.0マイクロメートル以上
TIN 1.0 MICROMETERS MINIMUM
ニッケル下地メッキ 1.0マイクロメートル以上
NICKEL 1.0 MICROMETERS MINIMUM
- 嵌合相手: 505155**00
MATING CONNECTOR: 505155**00
- 製品仕様及び取り扱いについては、製品仕様書PS-505157-001及び、コネクタ取扱説明書AS-505157-001を参照願います。
PLEASE REFER TO PRODUCTS SPECIFICATION PS-505157-001 AND USER'S MANUAL AS-505157-001.
- ELV及びRoHS適合品。
ELV AND RoHS COMPLIANT.

16.7	39.5	28.5	43	5051574000	505157**00	40
15.2	36.5	25.5	40	5051573600		36
D	C	B	A	TRAY PACKAGE	MODEL NO.	極数 CIRCUITS
				オーダー番号 ORDER No.		

REVISED EC NO: J2016-0061 DRWN:SSAT002 CHKD: APPR:NUKITA	DESCRIPTION 2015/07/21 2015/07/21	GENERAL TOLERANCES (UNLESS SPECIFIED)		DIMENSION STYLE		SCALE	DESIGN UNITS	THIRD ANGLE PROJECTION
				MM ONLY		2:1	METRIC	
		0.25 UNDER	±0.03	DRAWN BY	DATE	TITLE		
		0.25 OVER 0.5 UNDER	±0.05	SSAT002	2014/07/25	1.5 FLOATING CONN. REC. HS'G ASS'Y		
		0.5 OVER 1.0 UNDER	±0.1	CHECKED BY	DATE			
1.0 OVER 10 UNDER	±0.2	KASAKAWA	2014/08/22					
10 OVER 30 UNDER	±0.25	APPROVED BY	DATE					
30 OVER	±0.3	NUKITA	2014/09/02					
ANGULAR ±1 °		MATERIAL NO.		DOCUMENT NO.		SHEET NO.		
DRAFT WHERE APPLICABLE MUST REMAIN WITHIN DIMENSIONS		SEE CHART		SD-505157-001		1 OF 2		
		SIZE	THIS DRAWING CONTAINS INFORMATION THAT IS PROPRIETARY TO MOLEX INCORPORATED AND SHOULD NOT BE USED WITHOUT WRITTEN PERMISSION					
A		A3						

嵌合図



Scale 4:1

REVISED EC NO: J2016-0061 DRWN:SSAT002 2015/07/21 CHKD: APPR:NUKITA 2015/07/21 A	GENERAL TOLERANCES (UNLESS SPECIFIED)		DIMENSION STYLE MM ONLY		SCALE 2:1	DESIGN UNITS METRIC	THIRD ANGLE PROJECTION
	0.25 UNDER	±0.03	DRAWN BY SSAT002	DATE 2014/07/25	TITLE 1.5 FLOATING CONN. REC. HS'G ASS'Y		
	0.25 OVER 0.5 UNDER	±0.05	CHECKED BY KASAKAWA	DATE 2014/08/22	molex DOCUMENT NO. SD-505157-001 SHEET NO. 2 OF 2		
	0.5 OVER 1.0 UNDER	±0.1	APPROVED BY NUKITA	DATE 2014/09/02			
	1.0 OVER 10 UNDER	±0.2	MATERIAL NO. SEE SHEET 1				
10 OVER 30 UNDER	±0.25	SIZE A3		THIS DRAWING CONTAINS INFORMATION THAT IS PROPRIETARY TO MOLEX INCORPORATED AND SHOULD NOT BE USED WITHOUT WRITTEN PERMISSION			
30 OVER	±0.3	DRAFT WHERE APPLICABLE MUST REMAIN WITHIN DIMENSIONS					
ANGULAR	±1 °						