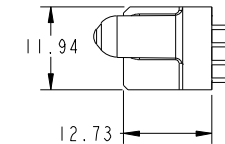
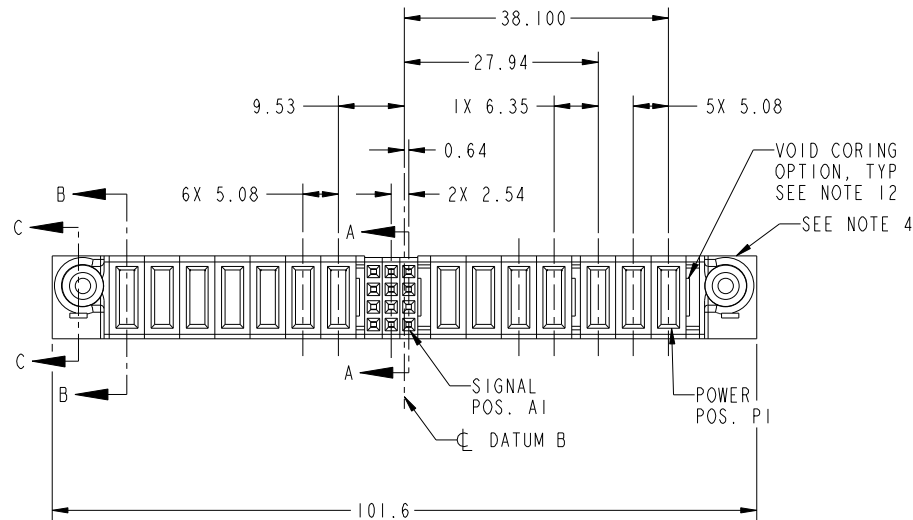


Tous droits strictement reserves. Reproduction ou communication a des tiers interdite sous quelque forme que ce soit sans autorisation écrite du propriétaire. Propriete de c FCI. Droits de reproduction FCI.



All rights strictly reserved. Reproduction or issue to third parties in any form whatever is not permitted without written authority from the proprietor. Property of FCI. Copyright FCI.

PRODUCT NO.	ROWS	POWER							SIGNAL			POWER										
		E2	P14	P13	P12	P11	P10	P9	P8	3	2	1	P7	P6	P5	P4	P3	P2	P1	E1		
51940-251-- NOTE: 3	D C B A		PA	X	PA	X	PA	X	PA	X	PA	E	E	E	X	X	PA	PA	X	PA	PA	



CODE	DIM "M" MATING LENGTH	CONTACT TYPE
E	[N/A]	SIGNAL
PA	[1.07]	POWER
X	OMITTED	

mat'l code				SEE NOTES		tolerances unless otherwise specified		CUSTOMER		FCI	
ltr	ecn no.	dr	date	linear	0.X ±0.5	projection		COPY		www.fciconnect.com	
A	DG08-0115	SH	05/12/08	angles	0.XX ±0.25	MIM		title		7P + 12S + 7P VERTICAL SOLDER RECEPT	
				dr	0.XXX ±0.1	scale		product family		PwrBlade code	
				enr	0° ±2°	1:1		size		213	
				chr	Sincere He 05/06/08			dwg no		sheet	
				appd	Sincere He 05/06/08			A		1 of 4	
					Gary Hsieh 05/06/08			51940-251			
					Joseph Hsia 05/06/08						
sheet index	revision sheet	A	A	A	A						
		1	2	3	4						

cage code 22526

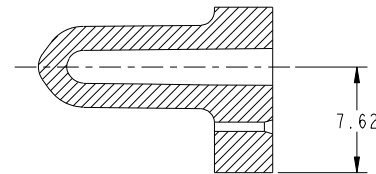
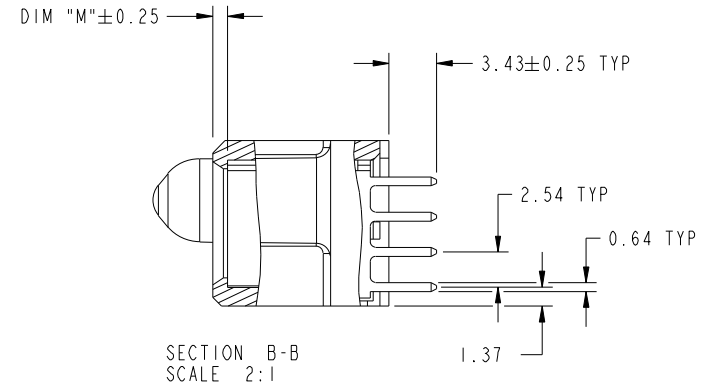
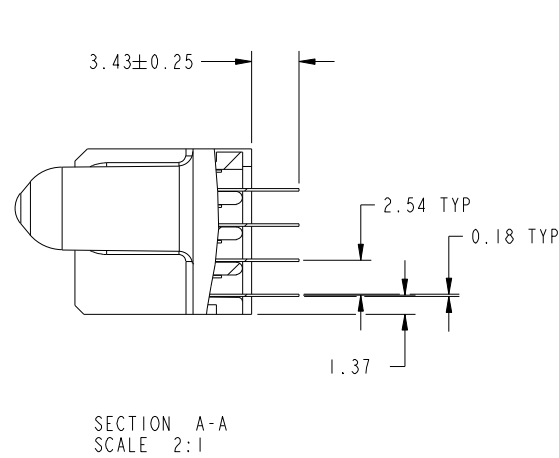
Pro/E

Tous droits strictement reserves. Reproduction ou communication a des tiers interdite sous quelque forme que ce soit sans autorisation écrite du propriétaire. Propriete de c FCI. Droits de reproduction FCI.



All rights strictly reserved. Reproduction or issue to third parties in any form whatever is not permitted without written authority from the proprietor. Property of FCI. Copyright FCI.

PRODUCT NUMBER
51940-251--
NOTE: 3



mat'l code				tolerances unless otherwise specified		CUSTOMER		FCI	
ltr	ecr no.	dr	date	linear	0.X ± 0.5	COPY		www.fciconnect.com	
A					0.XX ± 0.25	projection		title	
				angles	0.XXX ± 0.1			7P + 12S + 7P VERTICAL SOLDER RECEPT	
				dr	Sincere He 05/06/08			product family PwrBlade code	
				enr	Sincere He 05/06/08			size	
				chr	Gary Hsieh 05/06/08	scale		dwg no	
				appd	Joseph Hsia 05/06/08	1:1		51940-251	
sheet index		revision sheet						sheet	
								2 of 4	

cage code 22526

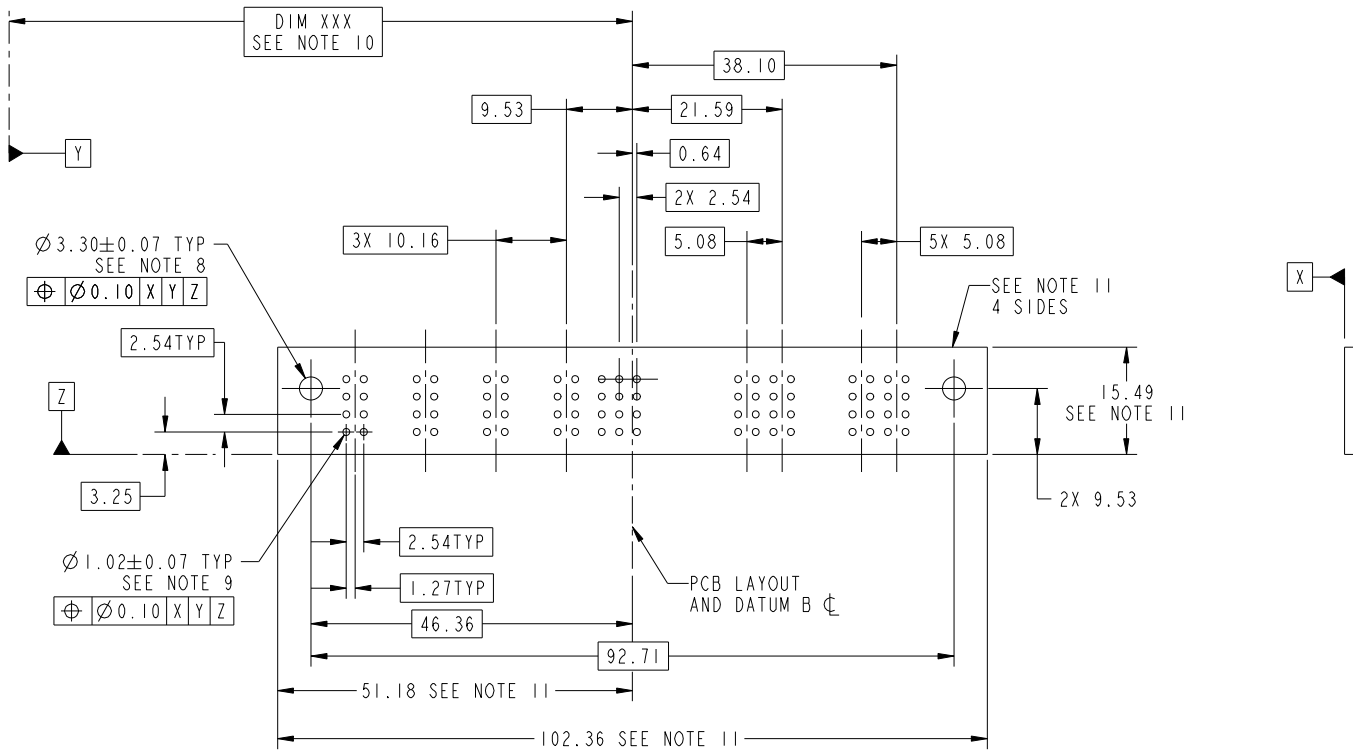
Pro/E

Tous droits strictement reserves. Reproduction ou communication a des tiers interdite sous quelque forme que ce soit sans autorisation écrite du propriétaire. Propriete de c FCI. Droits de reproduction FCI.



All rights strictly reserved. Reproduction or issue to third parties in any form whatever is not permitted without written authority from the proprietor. Property of FCI. Copyright FCI.

PRODUCT NUMBER
51940-251--
NOTE: 3



RECOMMENDED PCB LAYOUT

mat'l code				tolerances unless otherwise specified		CUSTOMER		
ltr	ecn no.	dr	date	linear	0.X ± 0.5	COPY	www.fciconnect.com	
A				linear	0.XX ± 0.25	projection	title	
				angles	0.XXX ± 0.1		7P + 12S + 7P VERTICAL SOLDER RECEPT	
				dr	0° ± 2°	MIM	product family	PwrBlade
				enr	Sincere He 05/06/08	scale	size	code
				chr	Sincere He 05/06/08	1:1	dwg no	213
				appd	Gary Hsieh 05/06/08		51940-251	sheet
					Joseph Hsia 05/06/08			3 of 4
sheet index	revision sheet							

cage code 22526

Pro/E

Tous droits strictement reserves. Reproduction ou communication a des tiers interdite sous quelque forme que ce soit sans autorisation écrite du propriétaire. Propriete de c FCI. Droits de reproduction FCI.



All rights strictly reserved. Reproduction or issue to third parties in any form whatever is not permitted without written authority from the proprietor. Property of FCI. Copyright FCI.

PRODUCT NUMBER
51940-251--
NOTE: 3

NOTES:

1. DIMENSIONS AND TOLERANCES ARE IN ACCORDANCE WITH ASME Y14.5M, 1994 UNLESS OTHERWISE SPECIFIED.

CONNECTOR NOTES:

- 2 HOUSING MATERIAL: UL 94 V-0 GLASS FILLED HIGH-TEMP THERMOPLASTIC
POWER CONTACT MATERIAL: COPPER ALLOY
SIGNAL PIN MATERIAL: COPPER ALLOY
- 3. PLATING SPEC.
51940-251, 51940-251LF PLATING SPEC. WAS SHOWN IN THE PRINT OF 10064183.
- 4 MANUFACTURER'S NAME, P/N, AND DATE CODE TO APPEAR ON THIS SURFACE.
- 5. PRODUCT SPECIFICATION GS-12-149.
APPLICATION SPECIFICATION BUS-20-067.
- 6. PACKAGED IN TRAYS.

PCB NOTES:

- 7. ALL HOLE DIAMETERS ARE FINISHED HOLE SIZE.
- 8 MOUNTING HOLES, WHERE APPLICABLE, ARE UNPLATED.
- 9 $\varnothing 1.151 \pm 0.025$ DRILLED HOLES PLATED WITH
0.008 MIN SnPb OR Sn OVER 0.03
TO 0.08 Cu PLATING TO ACHIEVE
 $\varnothing 1.02 \pm 0.07$ HOLE.
- 10 "DIM XXX" TO BE DETERMINED BY THE CUSTOMER.
- 11 CONNECTOR KEEP-OUT ZONE.
- 12. THE VOID CORING IN BETWEEN POWER MODULES, SIGNAL MODULES AND END MODULES ARE OPTIONAL AND THE SHAPE MAY BE DIFFERENT FOR OPTIMIZE THE MOLDING PROCESS. THE VOID CORING WILL NOT EFFECT TO PRODUCT FUNCTION.

mat'l code				tolerances unless otherwise specified		CUSTOMER		FCI	
ltr	ecn no.	dr	date	linear	0.X ± 0.5	COPY		www.fciconnect.com	
A					0.XX ± 0.25	projection		title	
				angles	0.XXX ± 0.1			7P + 12S + 7P VERTICAL SOLDER RECEPT	
				dr	Sincere He 05/06/08	MIM		product family PwrBlade code	
				enr	Sincere He 05/06/08			size 213	
				chr	Gary Hsieh 05/06/08	scale		dwg no 51940-251 sheet	
				appd	Joseph Hsia 05/06/08	1:1		4 of 4	
sheet index		revision sheet							

cage code 22526

Pro/E