

MATERIALS AND FINISHES:

SMA JACK RP BULKHEAD  
IP68 CONNECTOR:

BODY, CRIMP TUBE, JAM NUT: BRASS  
PLATED GOLD

CENTER CONTACT: BRASS  
PLATED GOLD

INSULATOR: PTFE

LOCK WASHER: PHOSPHOR BRONZE  
PLATED GOLD

GASKET: SILICONE RUBBER

MHF® I LK CONNECTOR:

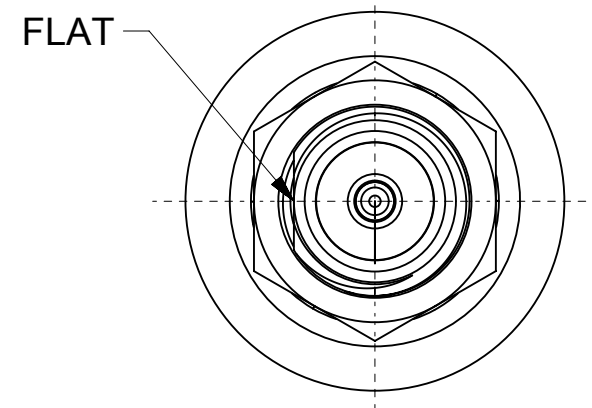
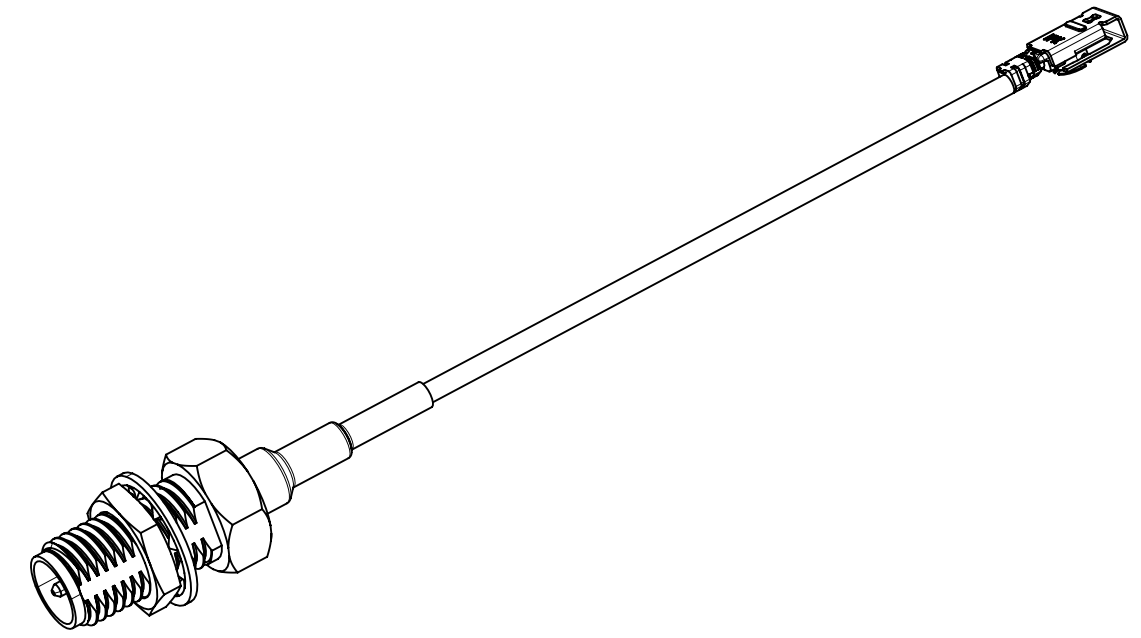
CABLE: 1.13MM CABLE

HEAT SHRINK TUBE: PE

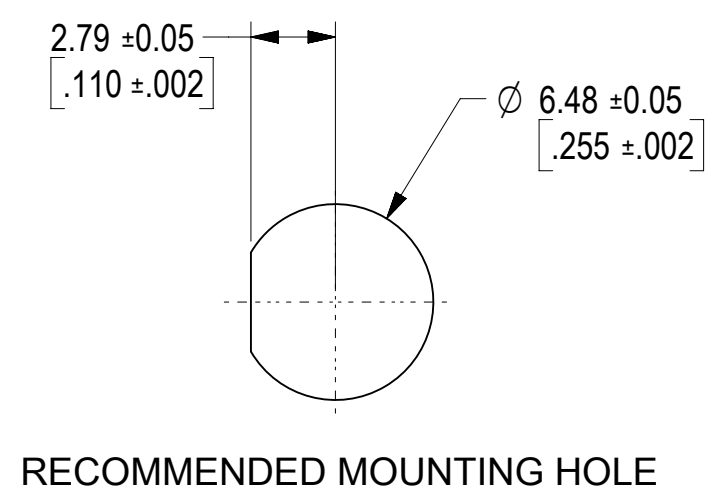
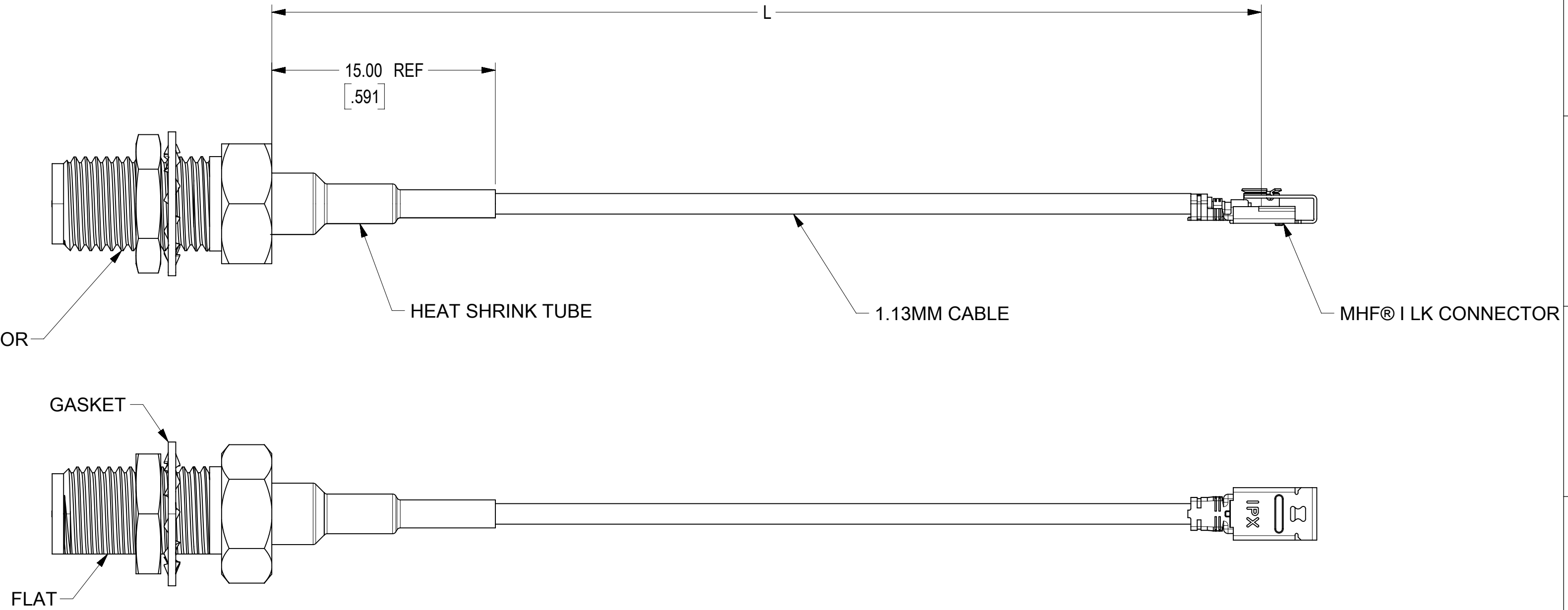
PERFORMANCE REQUIREMENTS

FREQUENCY RANGE: 0-6GHz  
 IMPEDANCE: 50 Ω  
 WITHSTAND VOLTAGE(AC): 350V @0.5mA  
 CONTINUITY: 100% TEST  
 PANEL LEAKAGE: IP68

PACKAGING BY PLASTIC BAG



SMA JACK RP BULKHEAD IP68 CONNECTOR  
73251-5041



73230-6255	50.80±3.00	2.00±.118
73230-6254	101.60±6.00	4.00±.236
73230-6253	152.40±6.00	6.00±.236
73230-6252	203.20±6.00	8.00±.236
73230-6251	254.00±6.00	10.00±.236
73230-6250	305.00±6.00	12.00±.236
MOLEX PART NO.	MM	IN
	L	

FUNCTIONAL SYMBOLS $\nabla_A = 0$ $\nabla_C = 0$ $\nabla_P = 0$	THIS DRAWING CONTAINS INFORMATION THAT IS PROPRIETARY TO MOLEX ELECTRONIC TECHNOLOGIES, LLC AND SHOULD NOT BE USED WITHOUT WRITTEN PERMISSION		CURRENT REV DESC: ADD NEW LENGTHS			
	DIMENSION UNITS	SCALE				
	MM/INCH	4:1				
	GENERAL TOLERANCES (UNLESS SPECIFIED)		EC NO: 745951 DRWN: MYLU07 CHK'D: YHUANG11 APPR: LCHEN03			
DIVISIONAL SYMBOLS 4 PLACES ± 3 PLACES ± 2 PLACES ± 1 PLACE ± 0 PLACES ±	ANGULAR TOL ± °		2023/02/20 2023/04/28 2023/05/04			
	INITIAL REVISION:		PRODUCT CUSTOMER DRAWING			
	DRWN: MYLU07 APPR: LCHEN03		DOCUMENT NUMBER <b>732306250</b>			
	DRAFT WHERE APPLICABLE MUST REMAIN WITHIN DIMENSIONS		DOC TYPE DOC PART REVISION PSD 000 A3			
THIRD ANGLE PROJECTION		DRAWING	SERIES	MATERIAL NUMBER	CUSTOMER	SHEET NUMBER
		C-SIZE	73230	SEE TABLE	GENERAL MARKET	1 OF 1