

Technical specification/

Technische Daten:

Electrical specifications/

Elektrische Daten:

Meets/
Erfüllt:

ANSI/EIA-568-C.2 Cat 6A
channel specification

Degree of protection/
Schutzart:

IP67, rated when covered or fully
mated with the appropriate mating
connector
*IP67 bei Verwendung mit Kappe oder
passendem Gegenstecker*

Contact resistance/
Kontaktwiderstand:

20 mOhm max.

Insulation resistance/
Isolationswiderstand:

500 MOhm min. @ 100 V DC

Current rating/
Strombelastbarkeit:

1 A max. at 25 °C

Working voltage/
Betriebsspannung:

72 V DC

Dielectric withstanding
voltage/
Spannungsfestigkeit:

1000 V DC / 60 s contact to contact/
Kontakt zu Kontakt
1500 V DC / 60 s contact to metal shell/
Kontakt zu Metall-Shell

Temperature range/
Temperaturbereich:

- 40 °C ... + 85 °C

Materials/

Werkstoffe:

Receptacle housing/
Anschlussgehäuse:

Zinc die-cast, nickel plated/
Zinkdruckguss, vernickelt

Panel nut (M28 x 1,5)/
Einbaumutter (M28 x 1,5)

Brass, nickel plated/
Messing, vernickelt

Panel gasket/
Einbaudichtung:

Silicon, transparent/
Silikon, transparent

Cat 6A RJ45
Inline coupler metal shell/
Cat 6A RJ45
Inline-Kupplung Metall-Shell:

Copper alloy, nickel plated/
Kupferlegierung, vernickelt

Cat 6A RJ45
Inline coupler plastic housing/
Cat 6A RJ45 Inline-Kupplung
Kunststoff-Gehäuse:

Glass filled PBT UL 94 V-0,
black/schwarz

Cat 6A RJ45
Inline coupler contact/
Cat 6A RJ45
Inline-Kupplung Kontakt:

Phosphor bronze,
finish: min. 50 µm gold over nickel/
Veredelung: min. 50 µm Gold über Nickel

Installation specification/

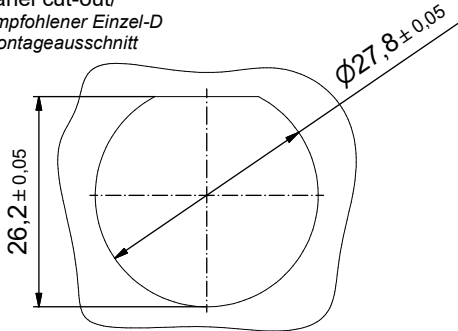
Montagedaten:

Recommended mounting
for panel nut torque/
empfohlenes Drehmoment
für Einbaumutter:

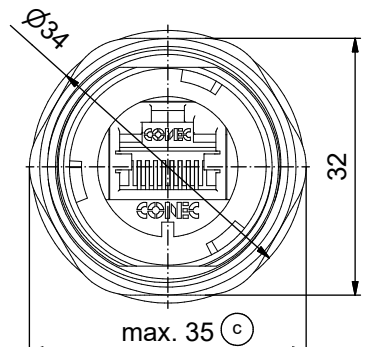
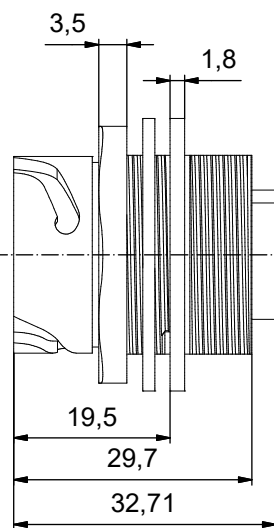
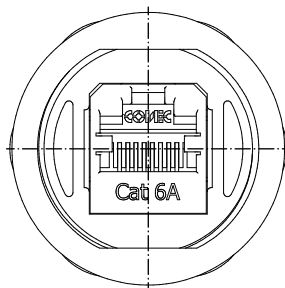
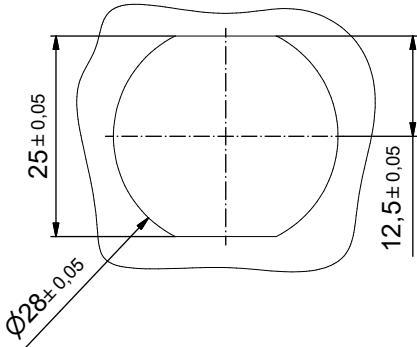
20 in.LB / max. 25 in.LB/
226 Ncm / max. 282 Ncm

Connector can be front or rear mounted to a maximum panel
thickness of 3,2 mm/
*Der Stecker eignet sich zur Vorderwand- und auch Hinterwand-Montage, bei einer
maximalen Wandstärke von 3,2 mm*

Recommended single-D
panel cut-out/
Empfohlener Einzel-D
Montageausschnitt



Recommended double-D
panel cut-out/
Empfohlener Doppel-D
Montageausschnitt



Part no./

Art.-Nr.

17-150174

| | | | | | | | |
|----------------------------|---------------------------|-----------------------------|---------------------------|--|--|------------------------------|--------|
| Tolerance | | 0 PLC ± 0.50 | Scale/Maßstab: 1,5 : 1 | | Receptacle Assembly Kit with zinc die-cast receptacle housing and with shielded Cat 6A RJ45 inline coupler <i>Durchführung mit Zinkdruckguss Anschlussgehäuse und mit geschirmter Cat 6A RJ45 Inline-Kupplung</i> | dwg no / Z.-nr.: 17K1A262 | DIN-A3 |
| Unless otherwise specified | | 1 PLC ± 0.38 | | | | | |
| | | 2 PLC ± 0.25 | | | | | |
| | | 3 PLC ± 0.10 ANGLES ± 3° | | | | | |
| Index: | c Ä21-0426 02.11.2021 ABU | | | | | | |
| RoHS compliant/konform | | | | | | | 1 / 1 |

The reproduction, distribution and sale of this document as well as the communication of its content to others without express authorization is prohibited. Offenders will be held liable for the payment of damages. We reserve the right to withdraw advertising and/or to discontinue the publication of this document at any time without notice.