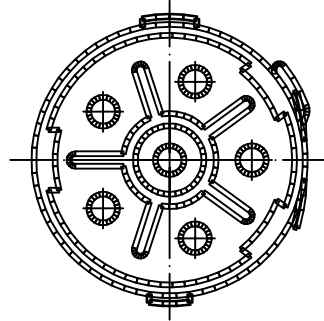
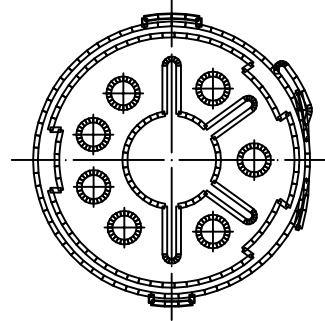


# Views from "X"

6-Pole  
(5+1)

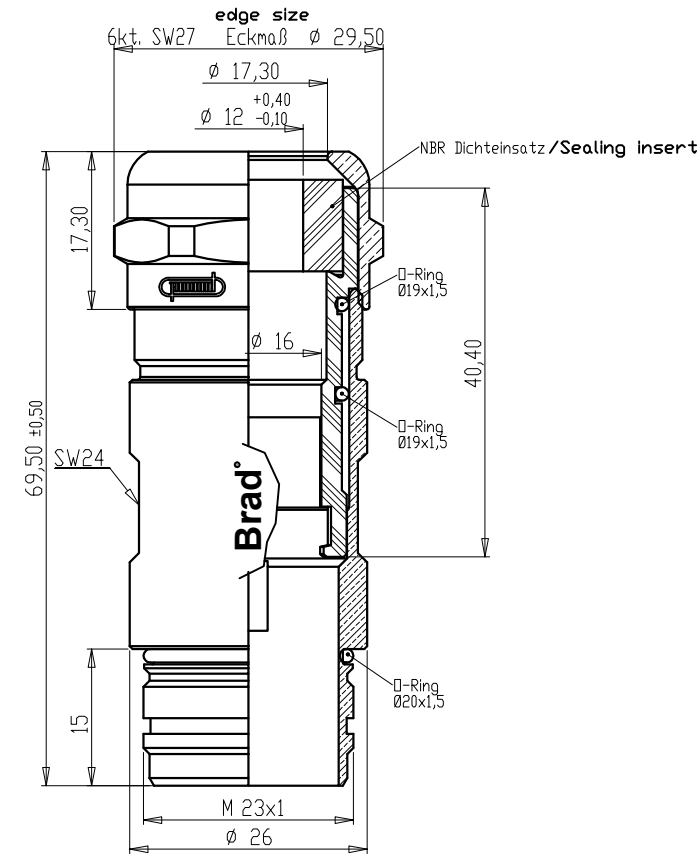


8-Pole



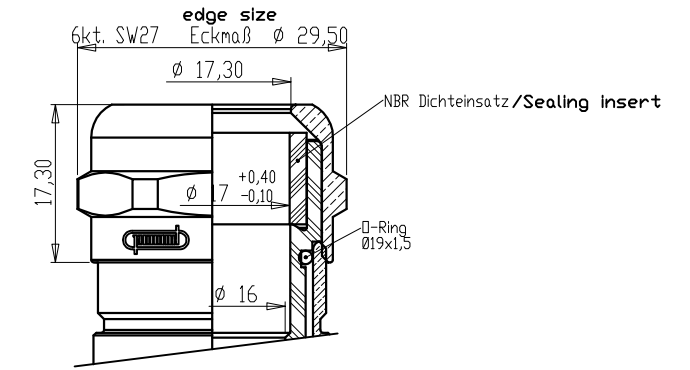
Cable Diameter

7 - 12 mm



Cable Diameter

11 - 17 mm



Cable Diameter		Crimp Contacts	Without Contacts
6 Pole (5+PE)	7 - 12mm	KAP6S06-105	KAP6S06-005
		1202330017	1202330019
	11 - 17mm	KAP6S06-109	KAP6S06-009
		1202330018	1202330020
	Crimp range*	0,75-2,5mm <sup>2</sup>	
8 Pole	7 - 12mm	KAP8S06-115	KAP8S06-005
		1202330021	1202330023
	11 - 17mm	KAP8S06-119	KAP8S06-009
		1202330022	1202330024
	Crimp range*	0,25-1,0mm <sup>2</sup> /0,75-2,5mm <sup>2</sup>	

\*Crimp range only applies to "Crimp Contacts" version

Notes:

Tolerances (unless specified): DIN ISO 2768 m

DESCRIPTION EC NO.: WEU2009-0135 DRWN: BBRAUCH 2008/11/19 CH'KD: --- APPR: JKOLB 2009/03/02	QUALITY SYMBOLS	GENERAL TOLERANCES (UNLESS SPECIFIED)		DIMENSION STYLE	SCALE	DESIGN UNITS	FIRST ANGLE PROJECTION
	▽ = 0	mm	INCH	MM	---	METRIC	
	▽C = 0	4 PLACES ±----	±----	DRAWN BY	DATE	M23 FIELD-ATTACHABLE CABLE CONNECTOR MALE STRAIGHT	
		3 PLACES ±----	±----	BB	2008/11/19		
		2 PLACES ±0.05	±----	CHECKED BY	DATE		
	1 PLACE ±0.1	±----	JKO	2008/12/09	MOLEX INCORPORATED		
	ANGULAR ± --- °		APPROVED BY	DATE			
	DRAFT WHERE APPLICABLE MUST REMAIN WITHIN DIMENSIONS			MATERIAL NO.	DOCUMENT NO.	SHEET NO.	
1	REV			see table	SD-120233-003	1 OF 1	
				SIZE	THIS DRAWING CONTAINS INFORMATION THAT IS PROPRIETARY TO MOLEX INCORPORATED AND SHOULD NOT BE USED WITHOUT WRITTEN PERMISSION		
				A3			