

LTC7806

6V to 36V Input, 24V, 10A Output, Synchronous Boost Regulator with Input Current Monitor

DESCRIPTION

Demonstration circuit 2951A is a boost regulator featuring the **LTC®7806**. The DC2951A operates from a 6V to 36V input voltage range and generates 24V, 10A output from a 12V input. When $V_{IN} \geq 24V$, V_{OUT} follows V_{IN} . Also, the LTC7806 has precision voltage reference, which can generate an output voltage with 2% tolerance over the full operating conditions. The 350kHz switching frequency operation results in small and efficient circuit. The converter achieves over 95% efficiency with 10A load. The demonstration circuit can be easily modified to regulate different output voltages.

The DC2951A provides a high performance cost-effective solution for generating output voltages up to 36V from inputs as low as 5V.

The LTC7806 data sheet gives a complete description of this part, its operation and application information and must be read in conjunction with this demo manual.

Design files for this circuit board are available.

All registered trademarks and trademarks are the property of their respective owners.

PERFORMANCE SUMMARY Specifications are at $T_A = 25^\circ C$

PARAMETER	CONDITIONS	MIN	TYP	MAX	UNITS
Minimum Input Voltage	$I_{OUT} = 0A$ to 10A		6		V
Maximum Input Voltage (Output Follows V_{IN} above 24V Input)	$I_{OUT} = 0A$ to 10A		36		V
Output Voltage	$V_{IN} = 6V$ to 23V, $I_{OUT} = 0A$		24 \pm 2%		V
Output Voltage Ripple	$V_{IN} = 12V$, $I_{OUT} = 10A$		300		mVp-p
Nominal Switching Frequency			350		kHz

BOARD PHOTO



QUICK START PROCEDURE

Demonstration circuit 2951A is easy to set up to evaluate the performance of the LTC7806. For proper measurement equipment setup refer to Figure 1 and follow the procedure below.

NOTE: When measuring the input or output voltage ripple, care must be taken to minimize the length of oscilloscope probe ground lead. Measure the input or output voltage ripple by connecting the probe tip directly across the V_{IN} or V_{OUT} and GND terminals as shown in Figure 2.

1. With power off, connect the input power supply to V_{IN} and GND.
2. Keep the load set to 0A or disconnected.
3. Turn the input power source on and slowly increase the input voltage.
NOTE: Make sure that the input voltage V_{IN} does not exceed 36V.
4. Set the input voltage to 12V and check for the proper output voltage of 24V. If there is no output, temporarily disconnect the load to make sure that the load is not set too high.
5. Once the proper output voltage is established, adjust the load, and observe the output voltage regulation, ripple voltage, efficiency, and other parameters.

QUICK START PROCEDURE

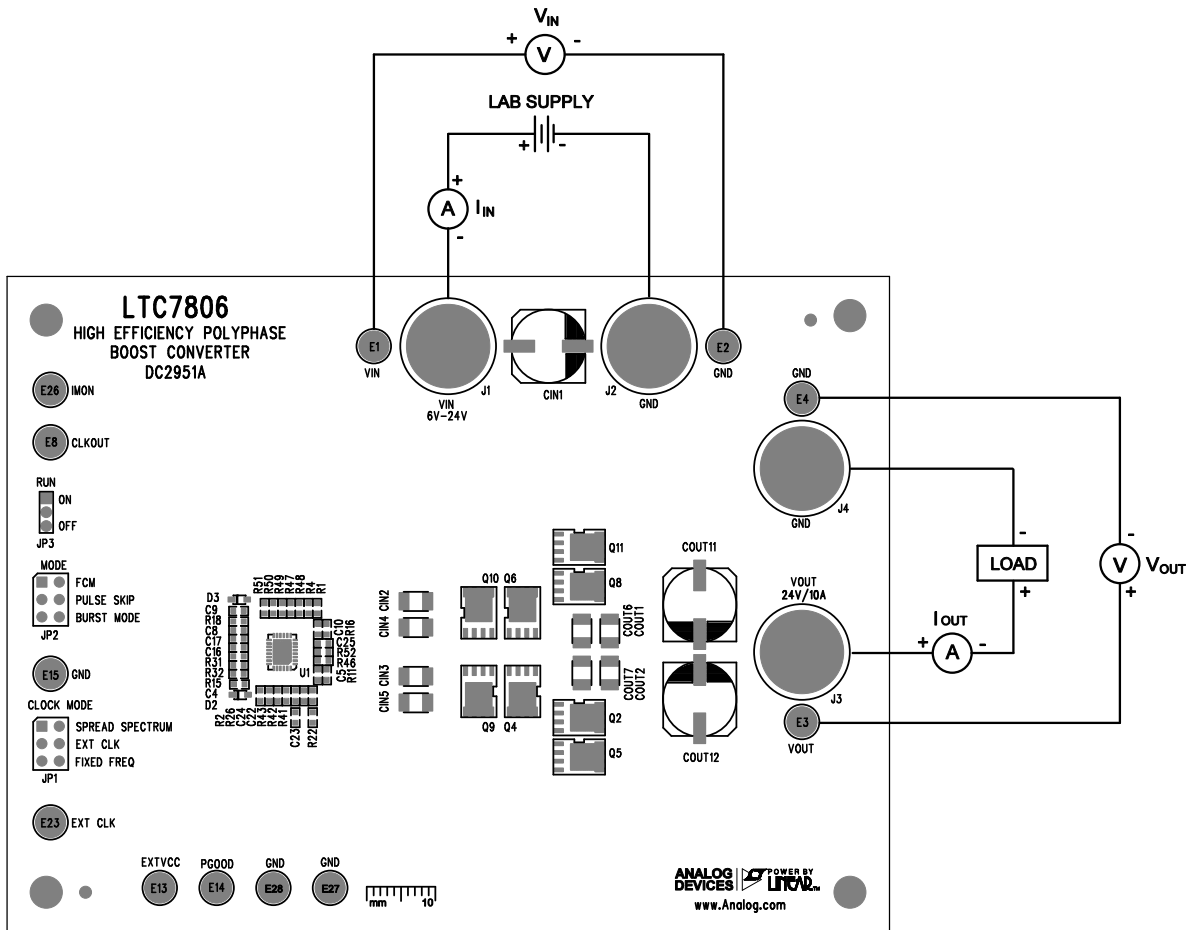


Figure 1. Proper Measurement Equipment Setup

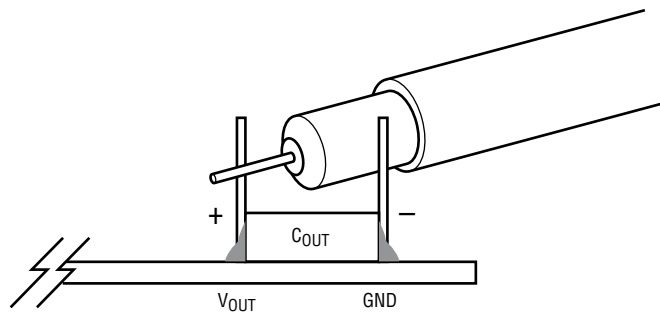


Figure 2. Measuring Input or Output Ripple

QUICK START PROCEDURE

Changing the Output Voltage

To change the output voltage from the programmed 24V, change the voltage setting resistors connected to LTC7806 FB pin (see Schematic Diagram section).

Converter Efficiency and Output Current

The DC2951A output current depends on the input voltage. Typical performance of DC2951A is shown in Figure 3. From Figure 3, the maximum output current is 20A with 12V input. The efficiency is high even at light loads thanks to Burst Mode[®] operation.

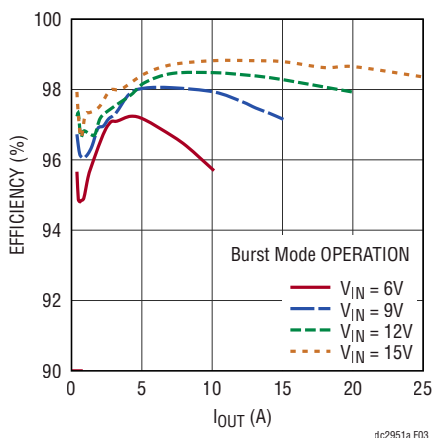


Figure 3. The 12V Input Efficiency is 98% with 20A Load

Output Load Step Response

The load step response of DC2951A is dependent on the amount and type of output caps used. For higher load steps more output capacitance can be added to keep the voltage transients at the desired level. The 5A load step transients with 12V input are shown in Figure 4. Other types of low ESR and high value capacitors can be used if space is available to reduce load transients to desired level.

The IMON function is used to monitor the input current and can be used by the system to limit the input current under heavy loads.

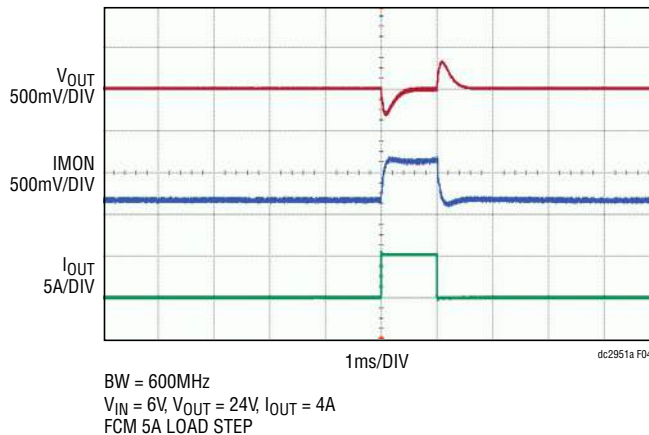


Figure 4. The LTC7806 Has Good Load Step Response with Small Output Capacitors

Start-up and Soft-Start Function

The DC2951A features soft-start circuit that ramps the output voltage up in monotonic fashion as shown in Figure 5. The soft-start circuit also prevents output voltage overshoot when output voltage ramp reaches regulation.

When RUN pin is enabled the output voltage will be kept close to V_{IN} level until soft-start function reaches the V_{IN} level at which point the controller starts ramping the output voltage up.

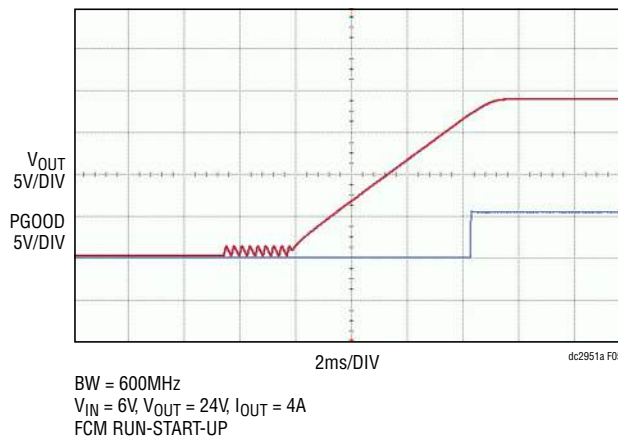


Figure 5. The DC2951A Ramps the Output Slowly at Startup without Output Voltage Overshoot

QUICK START PROCEDURE

Thermal Performance

The LTC7806 features excellent thermal performance due to high efficiency of synchronous boost circuit. The temperature rises of LTC7806 with 12V input and 10A load is shown in Figure 6.

The six-layer PCB layout features solid copper planes that provide heat spreading across the whole board.

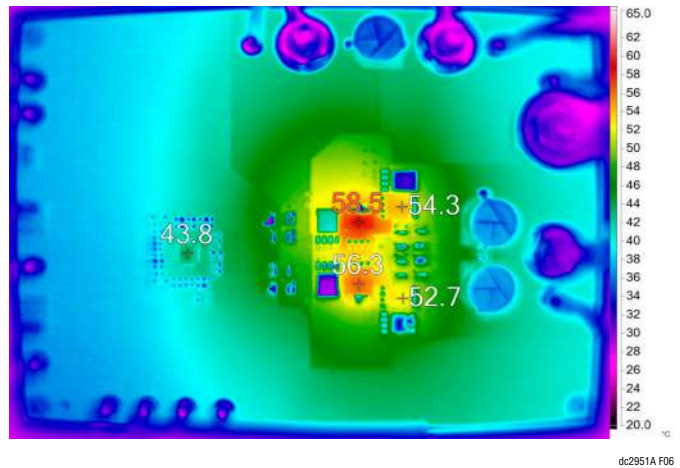


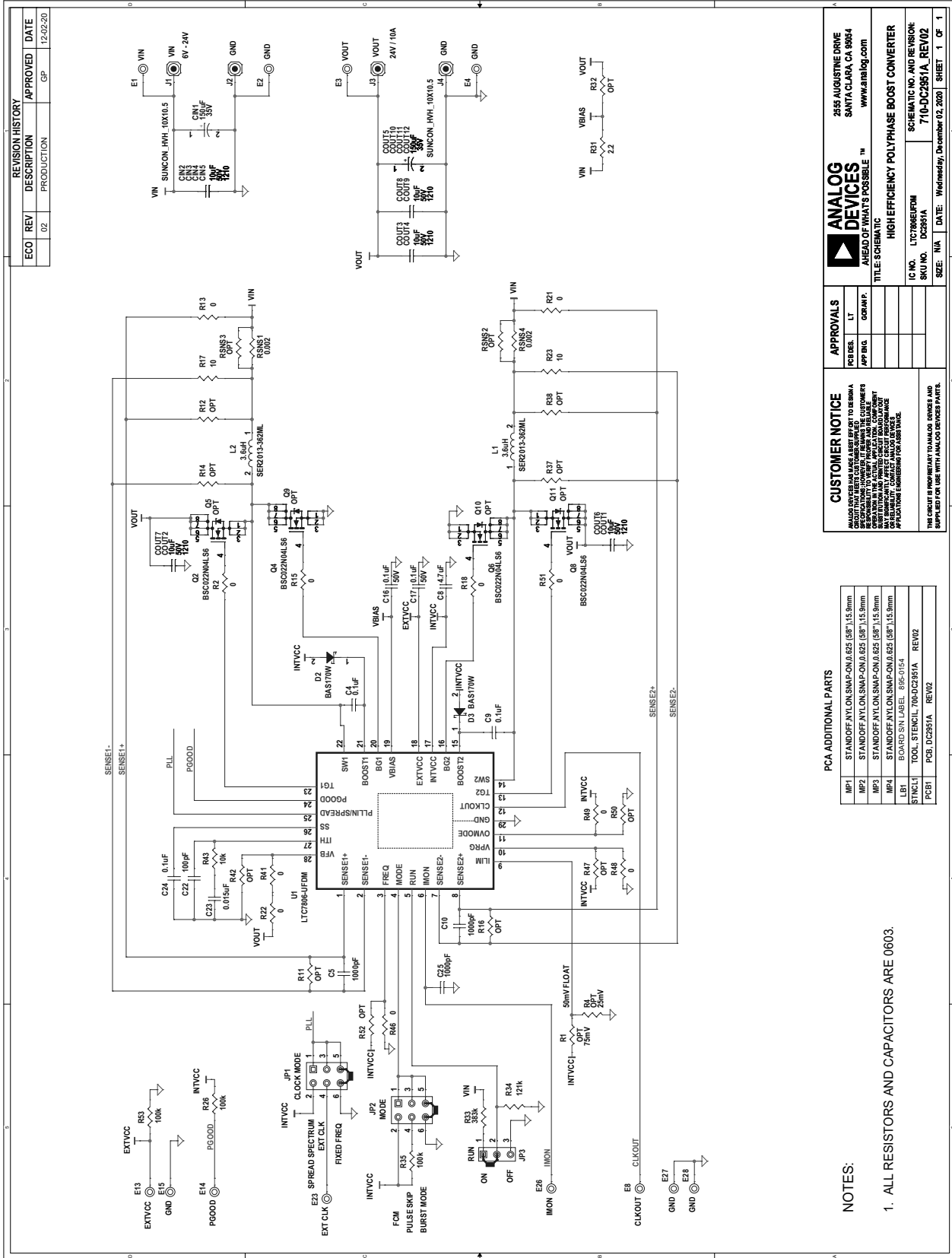
Figure 6. The LTC7806 Has Only 33.5°C Temperature Rise with 9V Input, 24V Output with 10A Load ($T_A = 25^\circ\text{C}$, No Cooling Fan)

DEMO MANUAL DC2951A

PARTS LIST

ITEM	QTY	REFERENCE	PART DESCRIPTION	MANUFACTURER/PART NUMBER
Required Circuit Components				
1	3	C4, C9, C24	CAP, 0.1 μ F, X7R, 16V, 10%, 0603	WURTH ELEKTRONIK, 885012206046
2	3	C5, C10, C25	CAP, 1000pF, C0G, 25V, 10%, 0603	AVX, 06033A102KAT2A
3	1	C8	CAP, 4.7 μ F, X5R, 25V, 20%, 0603	MURATA, GRM188R61E475ME11D
4	2	C16, C17	CAP, 0.1 μ F, X7R, 50V, 10%, 0603	AVX, 06035C104KAT2A
5	1	C22	CAP, 100pF, C0G, 50V, 10%, 0603	AVX, 06035A101KAT2A
6	1	C23	CAP, 0.015 μ F, X7R, 50V, 5%, 0603	AVX, 06035C153JAT2A
7	5	CIN1, COUT5, COUT10-COUT12	CAP, 150 μ F, ALUM. ELECT, 35V, 20%, 10mm x 10.5mm RADIAL, SMD, AEC-Q200, HVH SERIES	SUN ELECTRONIC IND. 35HVH150M
8	12	CIN2-CIN5, COUT1-COUT4, COUT6-COUT9	CAP, 10 μ F, X5R, 50V, 10%, 1210	TDK, C3225X5R1H106K250AB
9	2	D2, D3	DIODE, SCHOTTKY, 70V, 70mA, SOD-323, AEC-Q101	INFINEON, BAS170W
10	2	L1, L2	IND., 3.6 μ H, PWR, SHIELDED, 20%, 30A, 1.82m Ω , 19.69mm x 19.56mm x 12.95mm, SER2013, AEC-Q200	COILCRAFT, SER2013-362MLB
11	4	Q2, Q4, Q6, Q8	XSTR., MOSFET, N-CH, 40V, 100A, TDSON-8 FL	INFINEON, BSC022N04LS6
12	2	R17, R23	RES., 10 Ω , 5%, 1/10W, 0603, AEC-Q200	VISHAY, CRCW060310R0JNEA
13	2	R26, R53	RES., 100k, 5%, 1/10W, 0603, AEC-Q200	NIC, NRC06J104TRF
14	1	R31	RES., 2.2 Ω , 5%, 1/10W, 0603, AEC-Q200	PANASONIC, ERJ3GEYJ2R2V
15	1	R33	RES., 383k, 1%, 1/10W, 0603, AEC-Q200	PANASONIC, ERJ3EKF3833V
16	1	R34	RES., 121k, 1%, 1/10W, 0603, AEC-Q200	PANASONIC, ERJ3EKF1213V
17	1	R35	RES., 100k, 1%, 1/10W, 0603	STACKPOLE ELECTRONICS, INC., RMCF0603FG100K
18	1	R43	RES., 10k, 1%, 1/10W, 0603, AEC-Q200	VISHAY, CRCW060310K0FKEA
19	2	RSNS1, RSNS4	RES., 0.002 Ω , 1%, 1/2W, 2010, METAL, SENSE, AEC-Q200	VISHAY, WSL20102L000FEA
20	1	U1	IC, 2-PHASE SYN STEP-DOWN CTRLR, QFN-28, 40V LOW I _Q , DUAL	ANALOG DEVICES, LTC7806EUFDMPBF
Additional Demo Board Circuit Components				
1	0	Q5, Q9-Q11	XSTR., OPTION, MOSFET N-CH, PG-TDSON-8	
2	0	R1, R4, R11, R12, R14, R16, R32, R37, R38, R42, R47, R50, R52	RES., OPTION, 0603	
3	11	R2, R13, R15, R18, R21, R22, R41, R46, R48, R49, R51	RES., 0 Ω , 1/10W, 0603, AEC-Q200	VISHAY, CRCW06030000Z0EA
4	0	RSNS2, RSNS3	RES., OPTION, CURRENT SENSE	

SCHEMATIC DIAGRAM



REVISION HISTORY		
ECO	REV	DESCRIPTION
	02	PRODUCTION
		APPROVED
		DATE
		GP
		12/02/20

ANALOG DEVICES
 2555 AUGUSTINE DRIVE
 SANTA CLARA, CA 95054
 www.analog.com

CUSTOMER NOTICE
 ANALOG DEVICES MAKES NO WARRANTY OR REPRESENTATION, EITHER EXPRESS OR IMPLIED, REGARDING THE CUSTOMER'S USE OF THE PRODUCT OR THE RESULTS OF SUCH USE. THE CUSTOMER SHALL BE RESPONSIBLE FOR OBTAINING NECESSARY REGULATORY APPROVALS AND COMPLIANCE WITH ALL APPLICABLE LAWS AND REGULATIONS. ANALOG DEVICES IS NOT RESPONSIBLE FOR ANY DAMAGE TO PERSONS OR PROPERTY ARISING FROM THE USE OF THIS PRODUCT.

IC NO. LTC7868JFDM
SKU NO. DC2951A
DATE: Wednesday, December 02, 2020

SCHEMATIC NO. AND REVISION: 710-DC2951A_REV02

SIZE: N/A

APPROVALS
 PCB DES: LT
 APP ENG: GCR/AMP

TITLE & SCHEMATIC: HIGH EFFICIENCY POLYPHASE BOOST CONVERTER

SHEET 1 OF 1

PCA ADDITIONAL PARTS

MP1	STANDOFF NYLON SNAP-ON J.625 (5E) 1.15.9mm
MP2	STANDOFF NYLON SNAP-ON J.625 (5E) 1.15.9mm
MP3	STANDOFF NYLON SNAP-ON J.625 (5E) 1.15.9mm
MP4	STANDOFF NYLON SNAP-ON J.625 (5E) 1.15.9mm
LB1	BOARD S/N LABEL 955-0154
STNCL1	TOOL STENCIL 700-DC2951A_REV02
PCB1	PCB DC2951A_REV02

- NOTES:**
1. ALL RESISTORS AND CAPACITORS ARE 0603.



ESD Caution

ESD (electrostatic discharge) sensitive device. Charged devices and circuit boards can discharge without detection. Although this product features patented or proprietary protection circuitry, damage may occur on devices subjected to high energy ESD. Therefore, proper ESD precautions should be taken to avoid performance degradation or loss of functionality.

Legal Terms and Conditions

By using the evaluation board discussed herein (together with any tools, components documentation or support materials, the "Evaluation Board"), you are agreeing to be bound by the terms and conditions set forth below ("Agreement") unless you have purchased the Evaluation Board, in which case the Analog Devices Standard Terms and Conditions of Sale shall govern. Do not use the Evaluation Board until you have read and agreed to the Agreement. Your use of the Evaluation Board shall signify your acceptance of the Agreement. This Agreement is made by and between you ("Customer") and Analog Devices, Inc. ("ADI"), with its principal place of business at One Technology Way, Norwood, MA 02062, USA. Subject to the terms and conditions of the Agreement, ADI hereby grants to Customer a free, limited, personal, temporary, non-exclusive, non-sublicensable, non-transferable license to use the Evaluation Board FOR EVALUATION PURPOSES ONLY. Customer understands and agrees that the Evaluation Board is provided for the sole and exclusive purpose referenced above, and agrees not to use the Evaluation Board for any other purpose. Furthermore, the license granted is expressly made subject to the following additional limitations: Customer shall not (i) rent, lease, display, sell, transfer, assign, sublicense, or distribute the Evaluation Board; and (ii) permit any Third Party to access the Evaluation Board. As used herein, the term "Third Party" includes any entity other than ADI, Customer, their employees, affiliates and in-house consultants. The Evaluation Board is NOT sold to Customer; all rights not expressly granted herein, including ownership of the Evaluation Board, are reserved by ADI. CONFIDENTIALITY. This Agreement and the Evaluation Board shall all be considered the confidential and proprietary information of ADI. Customer may not disclose or transfer any portion of the Evaluation Board to any other party for any reason. Upon discontinuation of use of the Evaluation Board or termination of this Agreement, Customer agrees to promptly return the Evaluation Board to ADI. ADDITIONAL RESTRICTIONS. Customer may not disassemble, decompile or reverse engineer chips on the Evaluation Board. Customer shall inform ADI of any occurred damages or any modifications or alterations it makes to the Evaluation Board, including but not limited to soldering or any other activity that affects the material content of the Evaluation Board. Modifications to the Evaluation Board must comply with applicable law, including but not limited to the RoHS Directive. TERMINATION. ADI may terminate this Agreement at any time upon giving written notice to Customer. Customer agrees to return to ADI the Evaluation Board at that time. LIMITATION OF LIABILITY. THE EVALUATION BOARD PROVIDED HEREUNDER IS PROVIDED "AS IS" AND ADI MAKES NO WARRANTIES OR REPRESENTATIONS OF ANY KIND WITH RESPECT TO IT. ADI SPECIFICALLY DISCLAIMS ANY REPRESENTATIONS, ENDORSEMENTS, GUARANTEES, OR WARRANTIES, EXPRESS OR IMPLIED, RELATED TO THE EVALUATION BOARD INCLUDING, BUT NOT LIMITED TO, THE IMPLIED WARRANTY OF MERCHANTABILITY, TITLE, FITNESS FOR A PARTICULAR PURPOSE OR NON-INFRINGEMENT OF INTELLECTUAL PROPERTY RIGHTS. IN NO EVENT WILL ADI AND ITS LICENSORS BE LIABLE FOR ANY INCIDENTAL, SPECIAL, INDIRECT, OR CONSEQUENTIAL DAMAGES RESULTING FROM CUSTOMER'S POSSESSION OR USE OF THE EVALUATION BOARD, INCLUDING BUT NOT LIMITED TO LOST PROFITS, DELAY COSTS, LABOR COSTS OR LOSS OF GOODWILL. ADI'S TOTAL LIABILITY FROM ANY AND ALL CAUSES SHALL BE LIMITED TO THE AMOUNT OF ONE HUNDRED US DOLLARS (\$100.00). EXPORT. Customer agrees that it will not directly or indirectly export the Evaluation Board to another country, and that it will comply with all applicable United States federal laws and regulations relating to exports. GOVERNING LAW. This Agreement shall be governed by and construed in accordance with the substantive laws of the Commonwealth of Massachusetts (excluding conflict of law rules). Any legal action regarding this Agreement will be heard in the state or federal courts having jurisdiction in Suffolk County, Massachusetts, and Customer hereby submits to the personal jurisdiction and venue of such courts. The United Nations Convention on Contracts for the International Sale of Goods shall not apply to this Agreement and is expressly disclaimed.