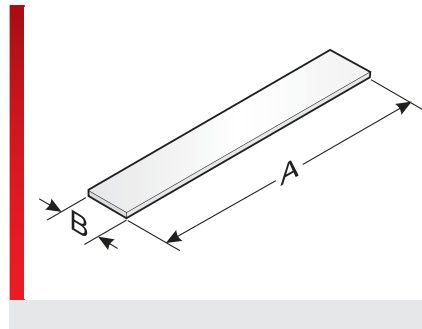
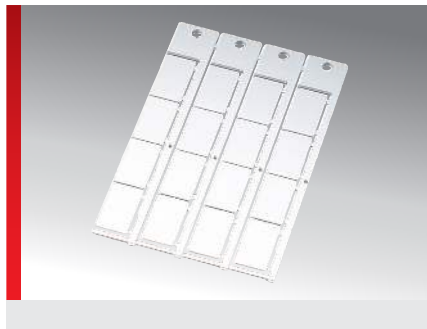


KS label plate (multi-line)



Single wire, cable, and conduit labelling

PRODUCT INFORMATION

High-quality, halogen-free, universal label for multi-line inscriptions.

- Available in various lengths and colours.
- The large printable area at the top provides room to reference individual projects.

The KS 15/x may be inserted into the KM 15* label holders or the BZS 15* and BZS/F 15* label rails.
The KS 22x22 is suitable for Siemens 3SB push-button and signal lamp holders.
Other sizes of the KS label are used for BT and BMA label holders.

SPECIFICATIONS

- Polycarbonate (PC)
- 40 – 130 °C
- V0
- Single-line and multi-line inscription

HF

Type	Order No.	Colour	RAL equiv.	Label size mm (B x A)	Title space mm	No. characters/lines	No. per frame	Base plate	Software Type	Pack qty.
Label length 26.5 mm for BT 22.5 and BT Harmony ZB4										
KS 8/26.5	86361060	White	9016	8.00 x 26.50	8.00 x 26.50	14 / 2	16	GP4	71	480
17 mm label length for KM 15*, BZS 15* and BZS/F 15*										
KS 15/17	86361040	White	9016	15.00 x 17.00	15.00 x 17.00	9 / 4	24	GP4	84	720
27 mm label length for KM 15/27, BT 15/27, BTK 15/27, BT-SR 15x27, BTK 22,5, BZS 15* and BZS/F 15*										
KS 15/27	86361010	White	9016	15.00 x 27.00	15.00 x 27.00	15 / 4	16	GP4	85	480
KS 15/27	86361012	Yellow	1018	15.00 x 27.00	15.00 x 27.00	15 / 4	16	GP4	85G	480
KS 15/27	86361008	Red	2012	15.00 x 27.00	15.00 x 27.00	15 / 4	16	GP4	85R	480
KS 15/27	86361002	Grey	7040	15.00 x 27.00	15.00 x 27.00	15 / 4	16	GP4	85U	480
49 mm label length for KM 15/49, BT 15/49, BTK 15/49 and BT-SR 15/49										
KS 15/49	86361014	White	9016	15.00 x 49.00	15.00 x 49.00	27 / 4	8	GP4	86	240
KS 15/49	86361015	Yellow	1018	15.00 x 49.00	15.00 x 49.00	27 / 4	8	GP4	86G	240
KS 15/49	86361013	Red	2012	15.00 x 49.00	15.00 x 49.00	27 / 4	8	GP4	86R	240
KS 15/49	86361003	Grey	7040	15.00 x 49.00	15.00 x 49.00	27 / 4	8	GP4	86U	240
Label length 49 mm for BT 15/49, BTK 15/49 and BT-SR 15/49										
KS 15/49 2x2.7	86361021	White	9016	15.00 x 49.00	15.00 x 36.00	20 / 4	8	GP4	086	240
67 mm label length for KM 15/67, BT 15/67, BTK 15/67 and BT-SR 15/67										
KS 15/67	86361016	White	9016	15.00 x 67.00	15.00 x 67.00	37 / 4	4	GP4	87	120
KS 15/67	86361017	Yellow	1018	15.00 x 67.00	15.00 x 67.00	37 / 4	4	GP4	87G	120
KS 15/67	86361009	Red	2012	15.00 x 67.00	15.00 x 67.00	37 / 4	4	GP4	87R	120

KS label plate (multi-line)

Type	Order No.	Colour	RAL equiv.	Label size mm (B x A)	Title space mm	No. characters/lines	No. per frame	Base plate	Software Type	Pack qty.
KS 15/67	86361004	Grey	7040	15.00 x 67.00	15.00 x 67.00	37 / 4	4	GP4	87U	120
22 mm label length for Siemens 3SB push-button and signal lamp holders										
KS 22x22	86361264	White	9016	22.00 x 22.00	22.00 x 22.00	12 / 6	8	GP3	113	144
KS 22x22	86361262	Grey	7040	22.00 x 22.00	22.00 x 22.00	12 / 6	8	GP3	114	144
27 mm label length for BT-SR 27x12,5										
KS 27/12.5	86361250	White	9016	12.50 x 27.00	12.50 x 27.00	15 / 3	12	GP3	82	216
KS 27/12.5	86361256	Grey	7040	12.50 x 27.00	12.50 x 27.00	15 / 3	12	GP3	83	216
27 mm label length for BT-SR 27x18 and BT-SR 27x18 Harmony										
KS 27/18	86361252	White	9016	18.00 x 27.00	18.00 x 27.00	15 / 5	10	GP3	105	180
KS 27/18	86361258	Grey	7040	18.00 x 27.00	18.00 x 27.00	15 / 5	10	GP3	89	180
27 mm label length for BT-SR 27x 27										
KS 27/27	86361254	White	9016	27.00 x 27.00	27.00 x 27.00	15 / 7	6	GP3	107	108
KS 27/27	86361260	Grey	7040	27.00 x 27.00	27.00 x 27.00	15 / 7	6	GP3	106	108

MATERIAL PROPERTIES



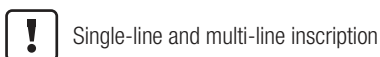
THERMAL PROPERTIES



FIRE BEHAVIOUR



GENERAL TECHNICAL DATA



TECHNICAL INFORMATION



INSTALLATION METHOD



KS label plate (multi-line)

LABELLING TECHNOLOGY



Plotter



Laser devices



Inkjet

All details given in our sales material prospectuses and catalogues as well as the information available online are based on our current knowledge of the products described.

The electronic data and files made available by Murrplastik, particularly CAD files are based on our current knowledge of the product described.

A legally binding assurance of certain properties or the suitability for a certain purpose can not be determined from this information.

All information with respect to the chemical and physical properties of Murrplastik products as well as application advice given verbally, in writing or by tests, is given to the best of our knowledge.

This does not free the purchaser of carrying out their own inspections and tests in order to determine the suitability of a product for a specific purpose.

Murrplastik accepts no responsibility for the available information being up-to-date, correct or complete. Neither do we accept responsibility for the quality of this information.

Murrplastik accepts no liability for damage caused as a result of using our products.

Murrplastik reserves the right to make technical changes and improvements through constant further development of products and services.

Our General Terms and Conditions apply.

© Murrplastik Systemtechnik GmbH • proID_60169~20170731~890286~acs_mod_ks_mehr