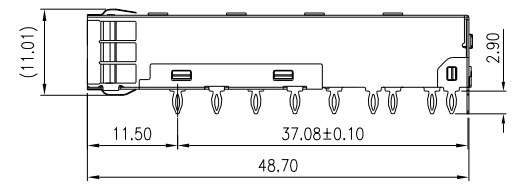
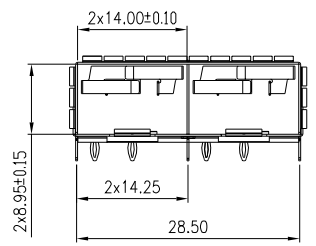
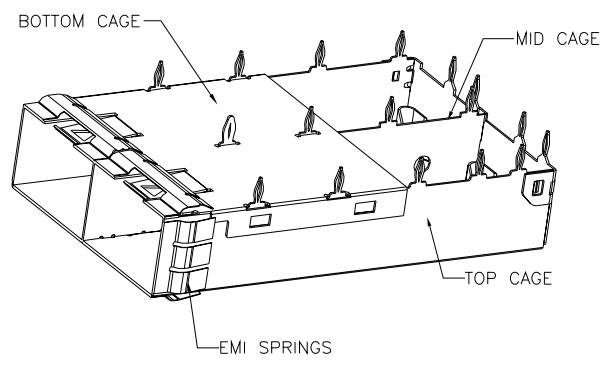
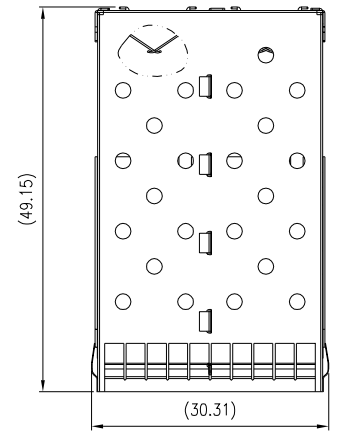


Product Number	Packaging
10127103-101LF	Tray



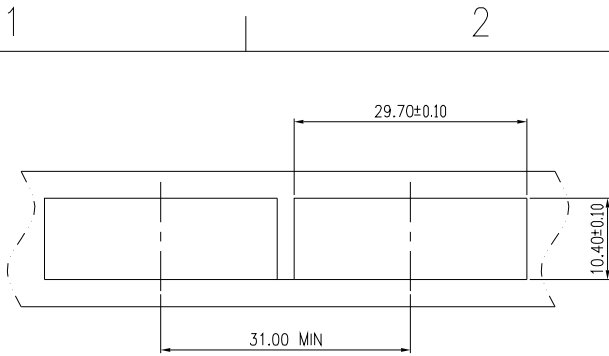
- NOTES:
- | 1, DESCRIPTION | Q'ty | MATERIAL                   | PLATING    |
|----------------|------|----------------------------|------------|
| TOP CAGE       | 1PCS | NICKEL SILVER ALLOY T=0.25 | NO PLATING |
| BOTTOM CAGE    | 1PCS | NICKEL SILVER ALLOY T=0.25 | NO PLATING |
| MID CAGE       | 1PCS | NICKEL SILVER ALLOY T=0.25 | NO PLATING |
| EMI SPRINGS    | 4PCS | COPPER ALLOY T=0.08        | Ni PLATED  |
- 2, PRODUCT SPECIFICATION: GS-12-1165  
3, APPLICATION SPECIFICATION: GS-20-0384  
4, PACKAGE PER GS-14-2344 AND GS-14-920



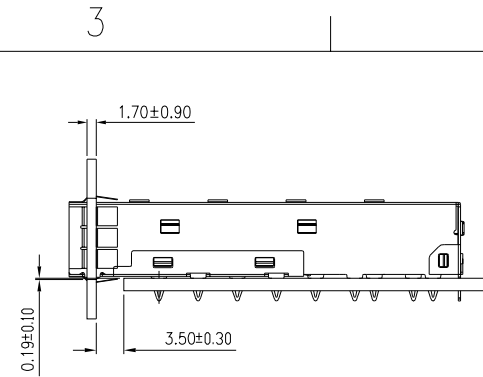
Copyright FCI.

spec ref	RELEASE	dr	Art Lin	2014-01-08	projection 	MM ←→	size	scale		
tolerance std	TOLERANCES UNLESS OTHERWISE SPECIFIED	eng	Zhen Luo	2014-01-08			A4	1:1		
ISO406		chr	Collins Lu	2014-01-09			ecn no			
ISO1101		appr	JEFFREY QIN	2014-01-09	product family	SFP+	rel level	Released		
surface ISO1302	linear	0.X	±0.25		title	SFP+ 1X2 CAGE EMI SPRING TYPE PRESS FIT	dwg no	10127103	rev	C
		0.XX	±0.20							
		0.XXX	±0.15							
	angular	0°	±0.5°	www.fci.com	cat. no.	-	Product-Customer Drw	sheet 1 of 2		

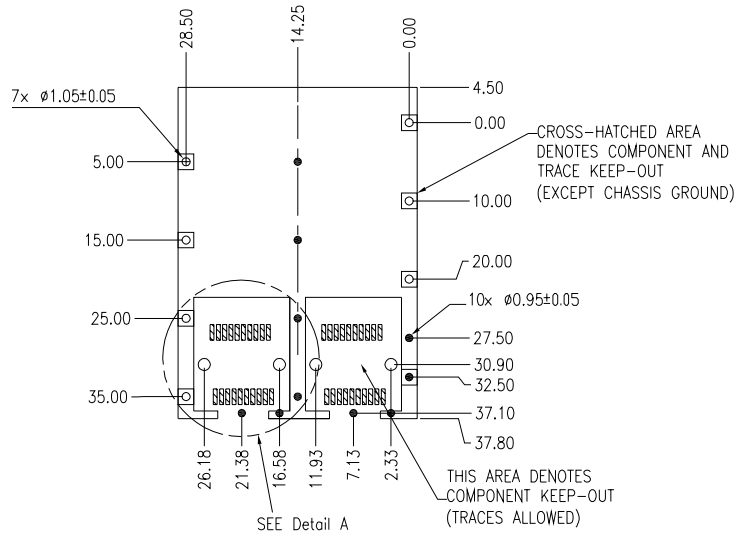
Pro/E File - REV C - 2009-06-09



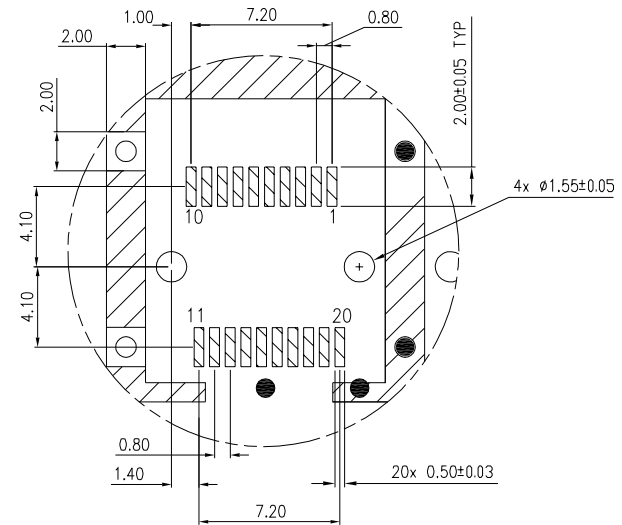
RECOMMENDED BEZEL CUT-CUT SINGLE SIDE APPLICATIONS



MOUNTED ON PC BOARD  
SHOWN THRU RECOMMENDED BEZEL



PCB LAYOUT THICKNESS=3.0MM (TOP VIEW)



Detail A  
SCALE 2.5:1



Copyright FCI.

spec ref	RELEASE	dr	Art Lin	2014-01-08	projection	MM	size	scale
tolerance std	TOLERANCES UNLESS OTHERWISE SPECIFIED	eng	Zhen Luo	2014-01-08				A4
ISO406		chr	Collins Lu	2014-01-09	ecn no			
ISO1101		appr	JEFFREY QIN	2014-01-09	product family	SFP+	rel level	Released
surface	linear	0.X	±0.25		title	dwg no	10127103	rev
		0.XX	±0.20					
0.XXX	±0.15							
angular	0°	±0.5°						
ISO1302		www.fci.com	cat. no.	-	Product-Customer Drw	sheet 2 of 2		