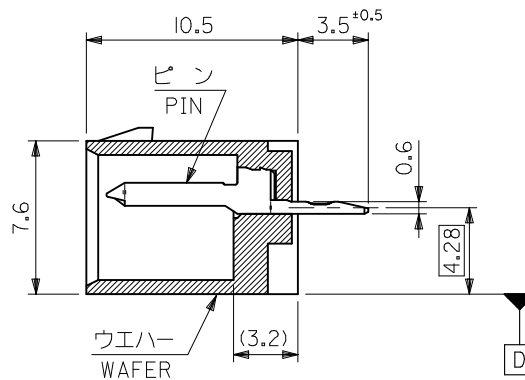


基板取付穴推奨寸法 (参考) (t=1.6)
RECOMMENDED P.C. BOARD HOLE DIM. (REF.)



8.7	54.6	53.2	49.0	53265-0820	8
				-0810	
	47.6	46.2	42.0	-0720	7
				-0710	
	40.6	39.2	35.0	-0620	6
				-0610	
	33.6	32.2	28.0	-0520	5
				-0510	
	26.6	25.2	21.0	-0420	4
				-0410	
8.7	19.6	18.2	14.0	-0320	3
				-0310	
6.1	12.6	11.2	7.0	-0220	2
				53265-0210	
(D)	C	B	A	TRAY PACKAGE	CKT. 極数
				ORDER No. オーダー番号	

注記 NOTES

1. 嵌合相手 : 51067 シリーズ
MATE WITH : 51067 SERIES

2. 材質
MATERIAL

ウエハー : PBTP (ガラス15%入り)、UL94V-0
WAFER : PBTP (G.F. 15%), UL94V-0

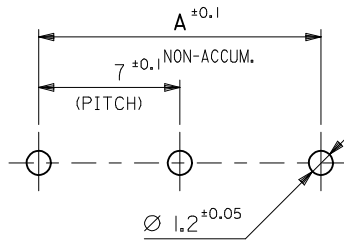
ピン : 53265-***10 [リン青銅、錫メッキ (T=0.254)]
PIN : [PHOS. BRO., PRE-TINNED (T=0.254)]

53265-***20 [黄銅、錫メッキ (T=0.254)]
[BRASS, PRE-TINNED (T=0.254)]

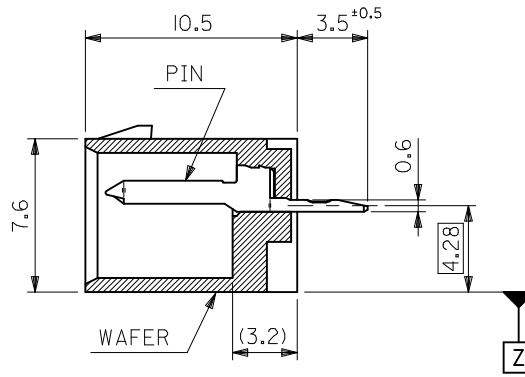
REVISED EC NO: J2009-1054 DRWN:MMABEI 2009/02/17 CHKD:HYAJIMA 2009/02/18 APPR:NUKITA 2009/02/18	GENERAL TOLERANCES (UNLESS SPECIFIED)		DIMENSION STYLE MM ONLY	SCALE ---	DESIGN UNITS METRIC	MODEL NO. 53265-***0
	10 UNDER	±0.2	DRAWN BY K. ASAKAWA	DATE '89/12/19	THIRD ANGLE PROJECTION	
	10 OVER 30 UNDER	±0.25	CHECKED BY H. HIRAMOTO	DATE '93/06/29	7.0 WIRE TO BOARD CONN. WAFER ASS'Y (ST.)	
	30 OVER	±0.30	APPROVED BY M. FUKUSHIMA	DATE '93/06/29	MOLEX INCORPORATED	
REV	DESCRIPTION	ANGULAR ±3 °	MATERIAL NO.	DOCUMENT NO.	SHEET NO.	
		DRAFT WHERE APPLICABLE MUST REMAIN WITHIN DIMENSIONS	SIZE A3	THIS DRAWING CONTAINS INFORMATION THAT IS PROPRIETARY TO MOLEX INCORPORATED AND SHOULD NOT BE USED WITHOUT WRITTEN PERMISSION		

NOTES

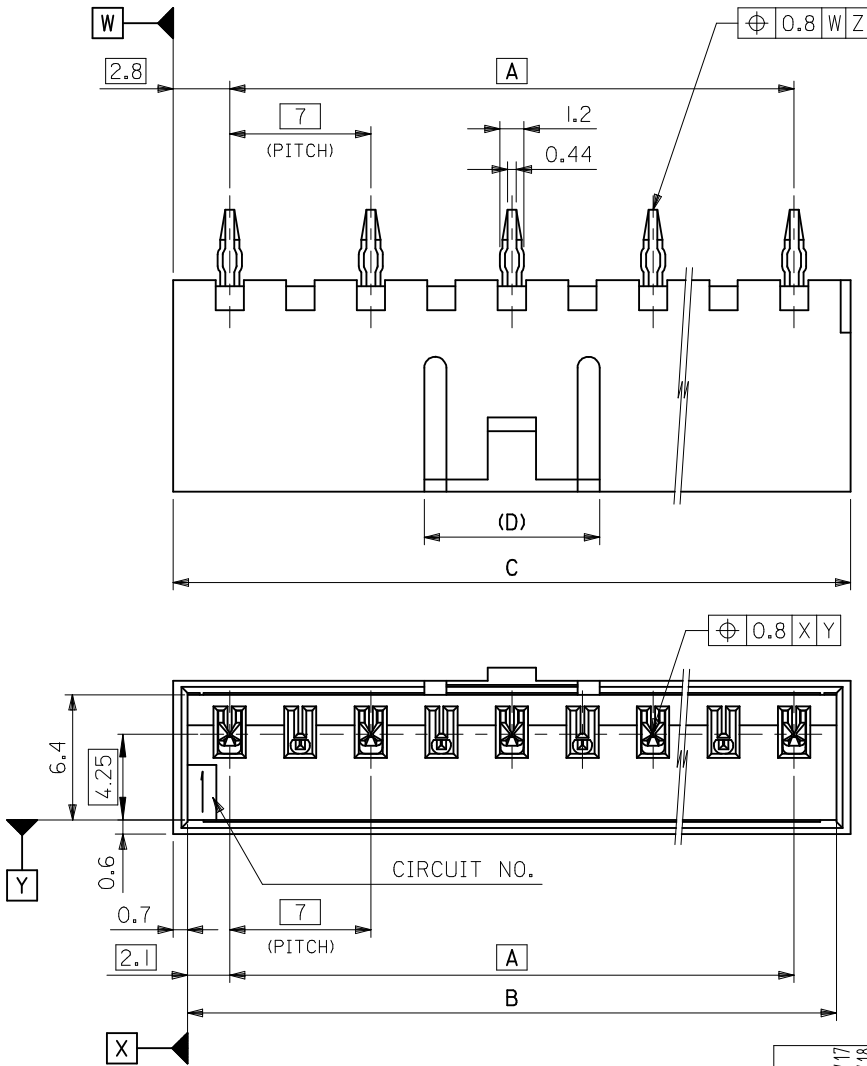
1. MATE WITHS : 51067 SERIES
2. MATERIAL
 WAFER : PBTP (G.F.15%), UL94V-0
 PIN : [PHOS.BRO., PRE-TINNED (t=0.254)]
3. COLOR OF WAFER
 CORRESPONDS TO LAST DIGIT OF ENG. NO.
 WHITE : 53265-**10
 BLACK : 53265-**11
 RED : 53265-**12
 YELLOW : 53265-**13
 BLUE : 53265-**14



RECOMMENDED P.C. BOARD HOLE DIM. (REF.)
(t=1.6)



8.7	54.6	53.2	49.0	53265-081*	8
↑	47.6	46.2	42.0	↑ -071*	7
	40.6	39.2	35.0	↑ -061*	6
	33.6	32.2	28.0	↑ -051*	5
↓	26.6	25.2	21.0	↓ -041*	4
8.7	19.6	18.2	14.0	↓ -031*	3
6.1	12.6	11.2	7.0	53265-021*	2
(D)	C	B	A	TRAY PACKAGE	CKT.
				ORDER No. オーダー番号	



REVISED EC NO: J2009-1054 DRWN:MMABEI 2009/02/17 CHKD:HYAJIMA 2009/02/18 APPR:NUKITA 2009/02/18 REV A	GENERAL TOLERANCES (UNLESS SPECIFIED)		DIMENSION STYLE MM ONLY		SCALE ---	DESIGN UNITS METRIC	MODEL NO. 53265-***1*		
	10 UNDER ± 0.2	10 OVER 30 UNDER ± 0.25	30 OVER ± 0.30	DRAWN BY H.HIRAMOTO	DATE '94/01/10	TITLE 7.0 WIRE TO BOARD CONN. WAFER ASSY ST.			
	ANGULAR ± 3 °			CHECKED BY M.FUKUSHIMA	DATE '94/01/11	APPROVED BY M.FUKUSHIMA '94/01/11			
	DRAFT WHERE APPLICABLE MUST REMAIN WITHIN DIMENSIONS			MATERIAL NO. SEE TABLE	DOCUMENT NO. SD-53265-008	MOLEX INCORPORATED			
THIS DRAWING CONTAINS INFORMATION THAT IS PROPRIETARY TO MOLEX INCORPORATED AND SHOULD NOT BE USED WITHOUT WRITTEN PERMISSION					SHEET NO. 1 OF 1				